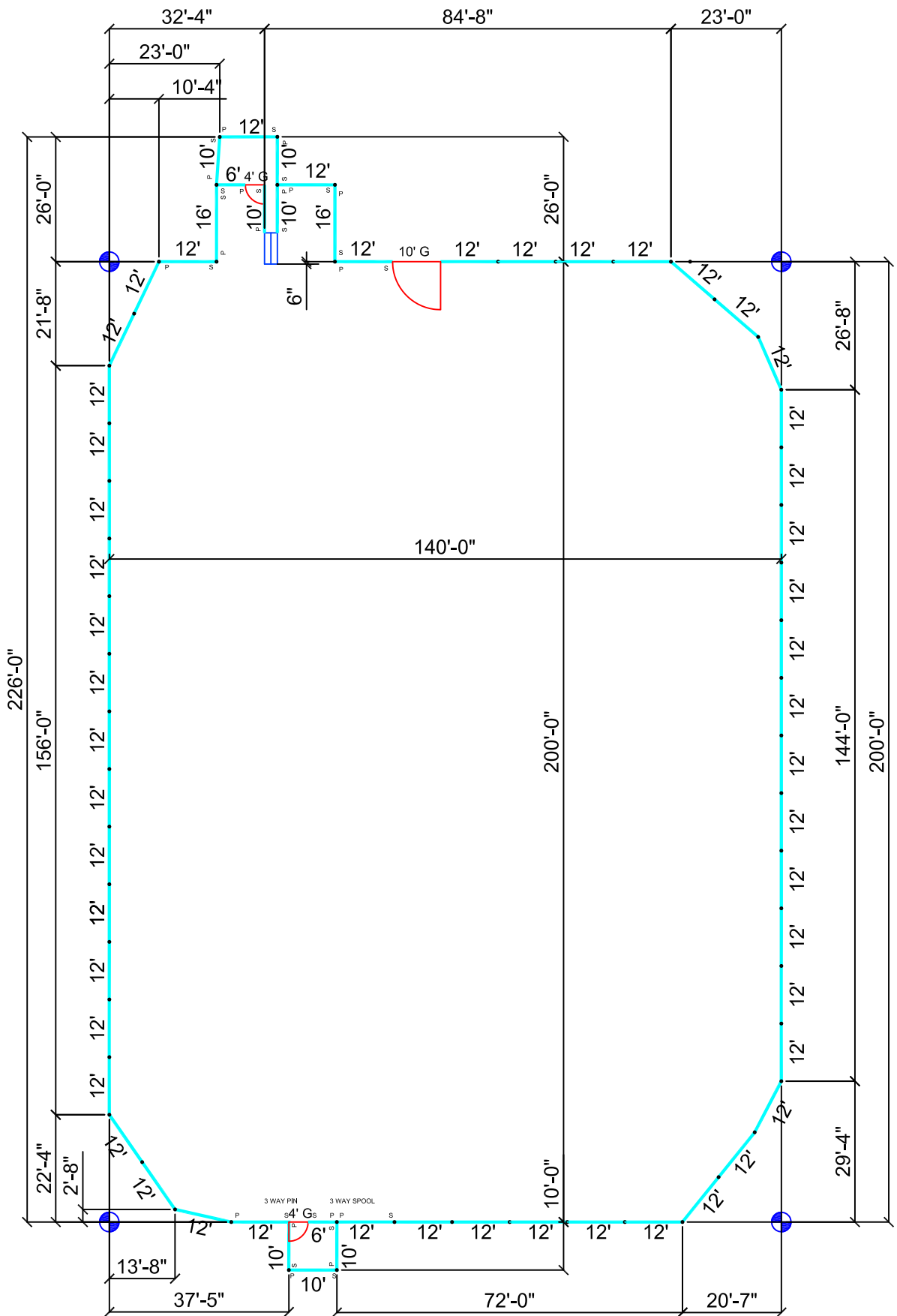


RED RIVER ARENAS.com

“Spend Less, Get More!”

800-343-1026

- 51 - 12' Panels
- 7 - 10' Panels
- 2 - 16' Panels
- 2 - 6' Panel
- 1 - 10' Gates
- 2 - 4' Gates
- 1 - Roping Chute



140'x200' w/o RETURN

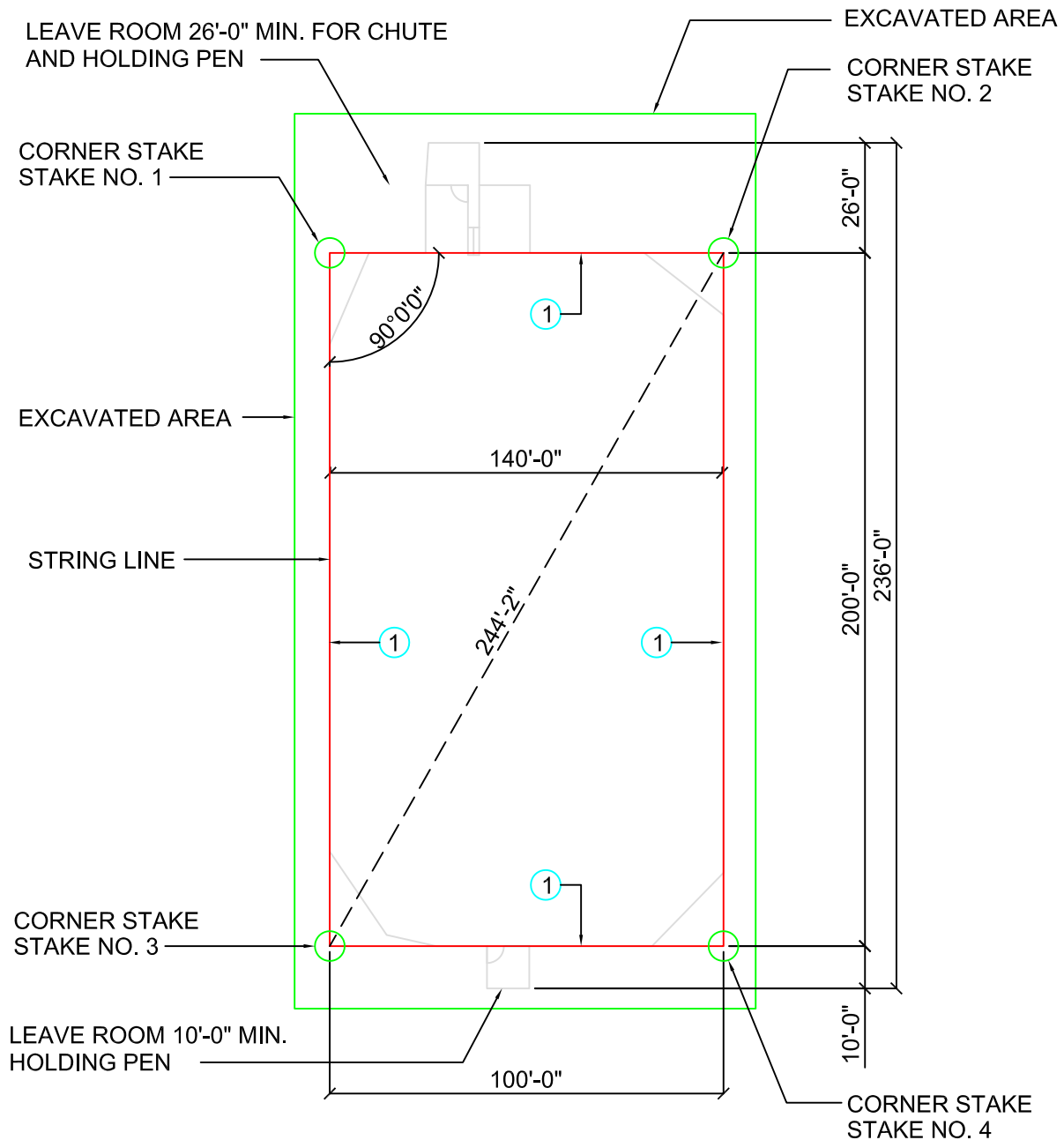
Scale: 1" = 30'-0"

140' x 200' w/o RETURN EXCAVATION AREA

MINIMUM EXCAVATION AREA IS 140'-0" BY 226'-0"

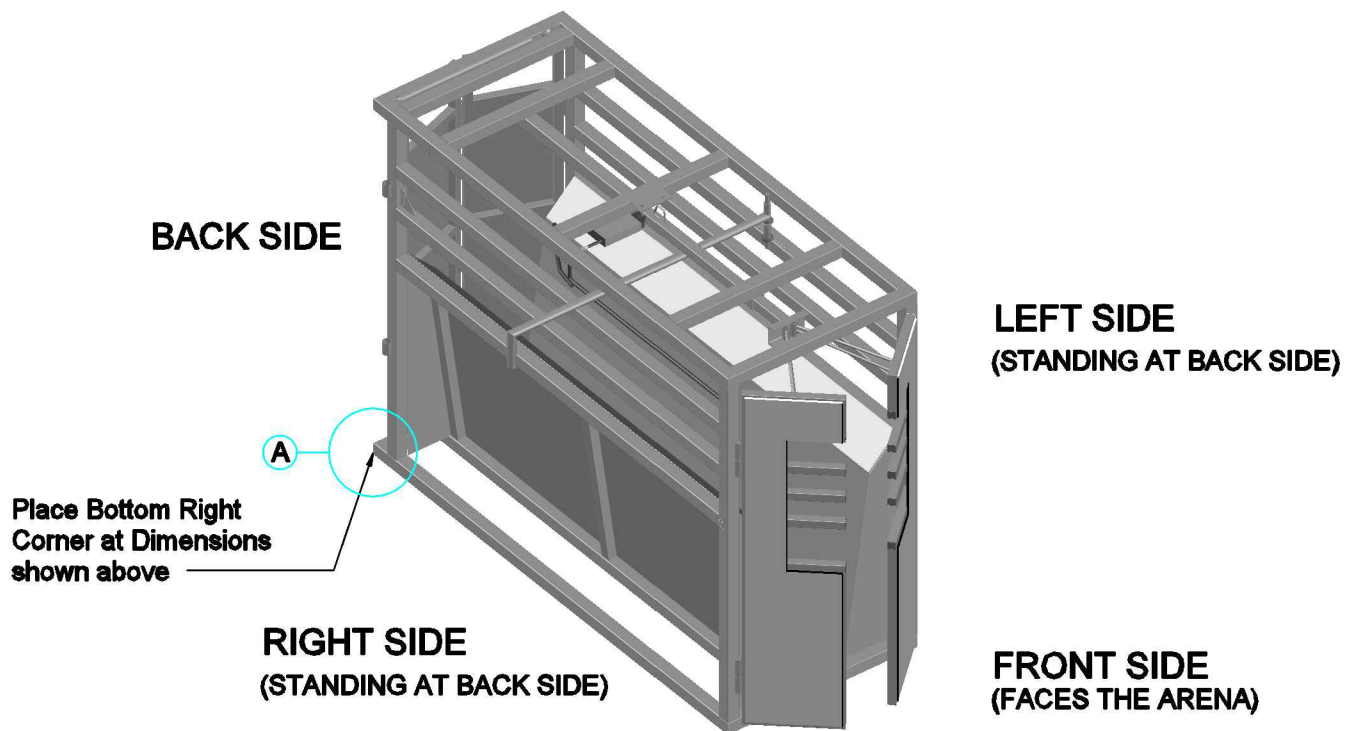
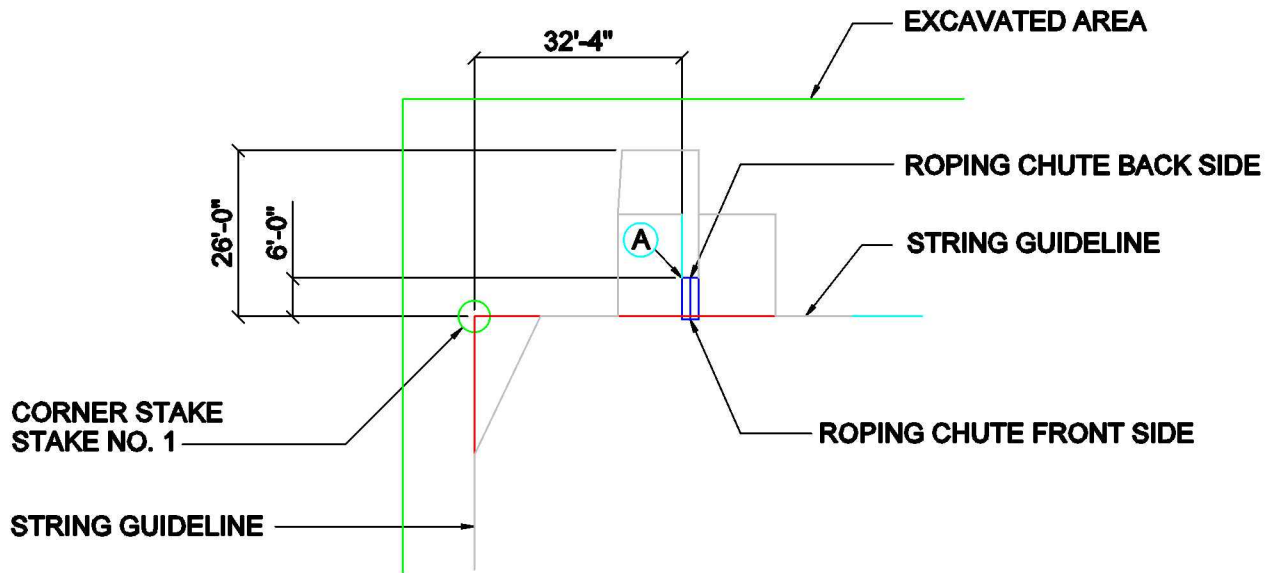
- 1 Start by staking out the Arena Area (140'-0" by 200'-0") to use as a guideline for panels.

NOTE: IF EXCAVATION EXCEEDS THE GIVEN DIMENSIONS OWNER
WILL NEED TO COMPENSATE ACCORDINGLY



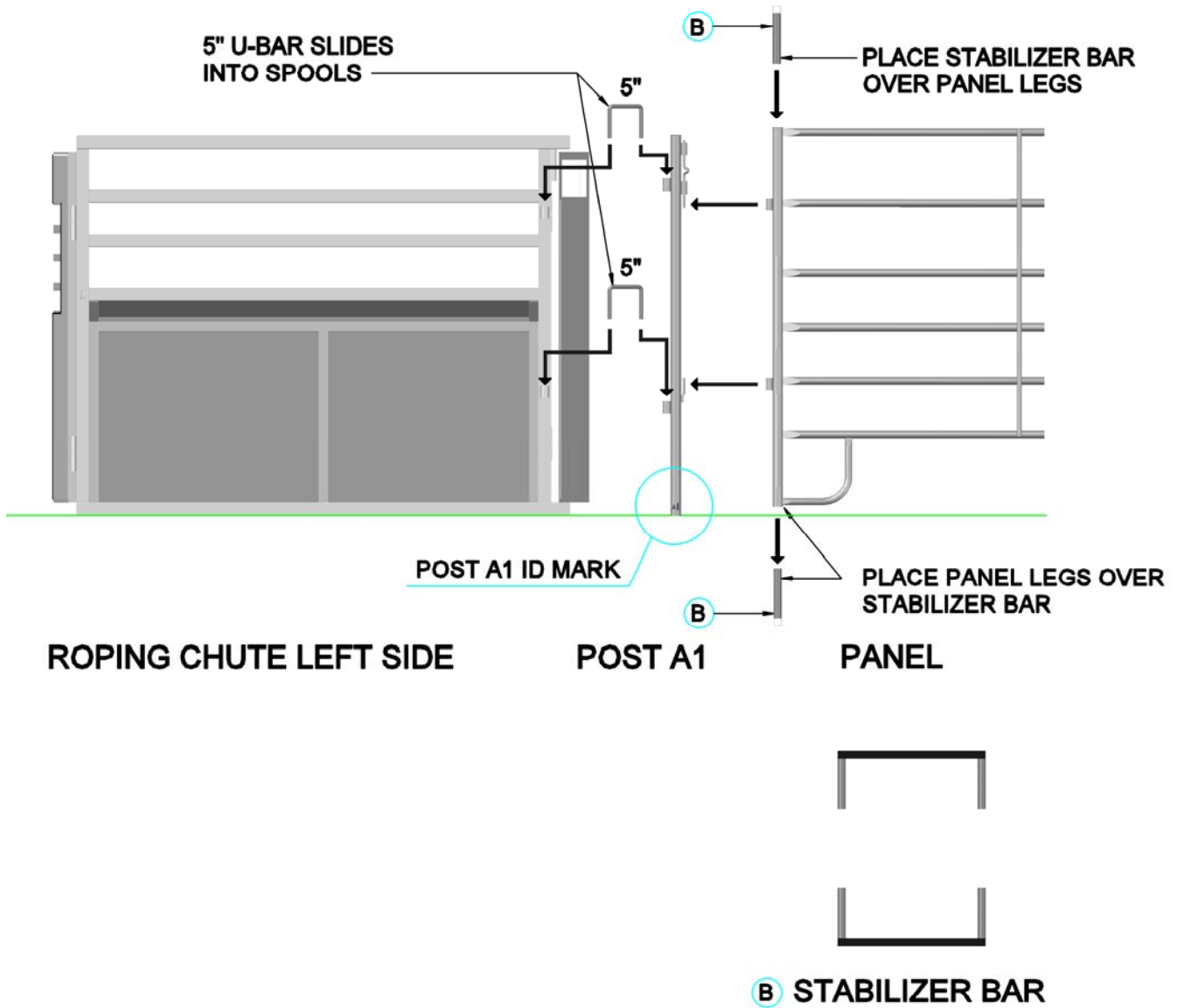
140 X 200 w/o RETURN ROPING CHUTE LOCATION

② Position the BACK Corner **A** of the Roping Chute at the dimension shown below:



PANEL TO CHUTE CONNECTION

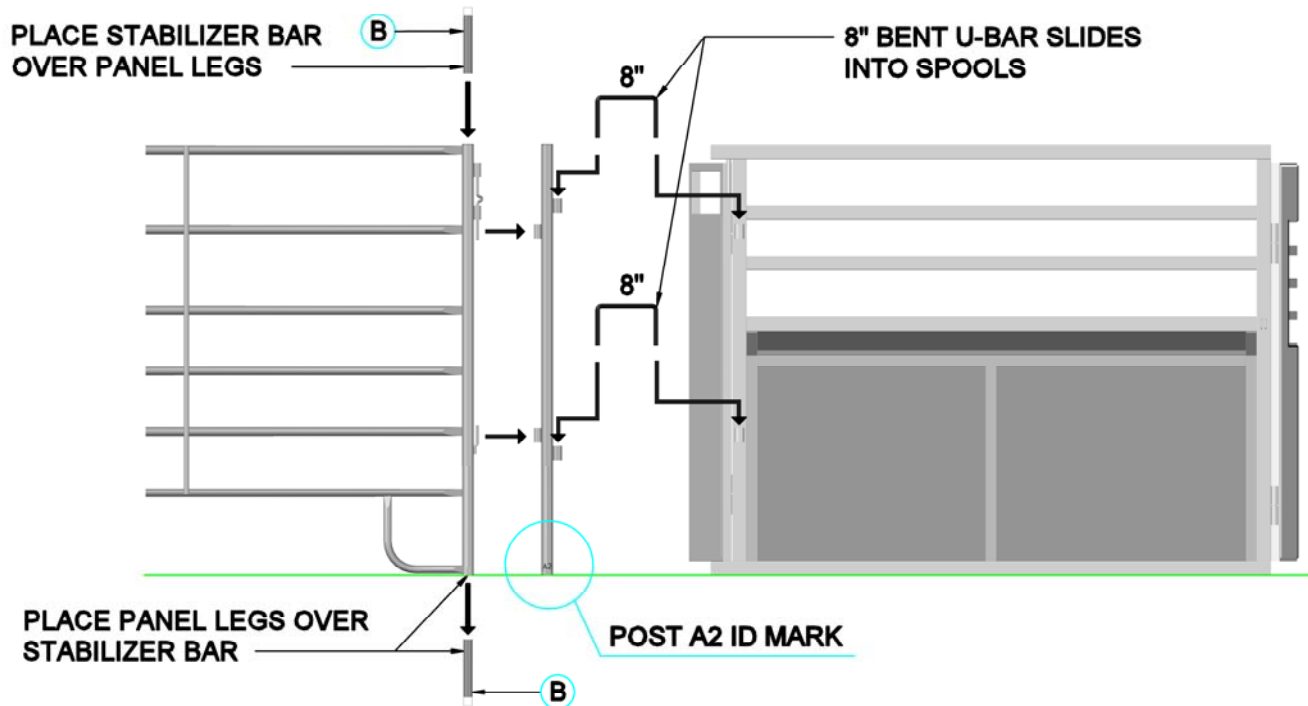
- 1.) Place STABILIZER BAR (B) on ground and place LEADUP Leg over the STABILIZER BAR for support.
- 2.) Place STABILIZER BAR (B) over top PANEL Leg for support.



STANDING BEHIND THE CHUTE
 PANEL TO LEFT SIDE CHUTE CONNECTION w/ POST A1

PANEL TO CHUTE CONNECTION

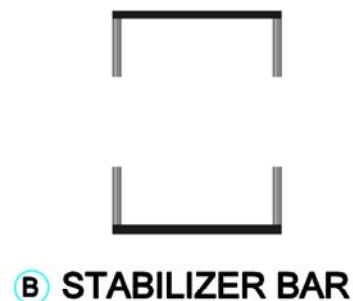
- 1.) Place STABILIZER BAR (B) on ground and place LEADUP Leg over the STABILIZER BAR for support.
- 2.) Place STABILIZER BAR (B) over top PANEL Leg for support.



PANEL

POST A2

ROPING CHUTE RIGHT SIDE



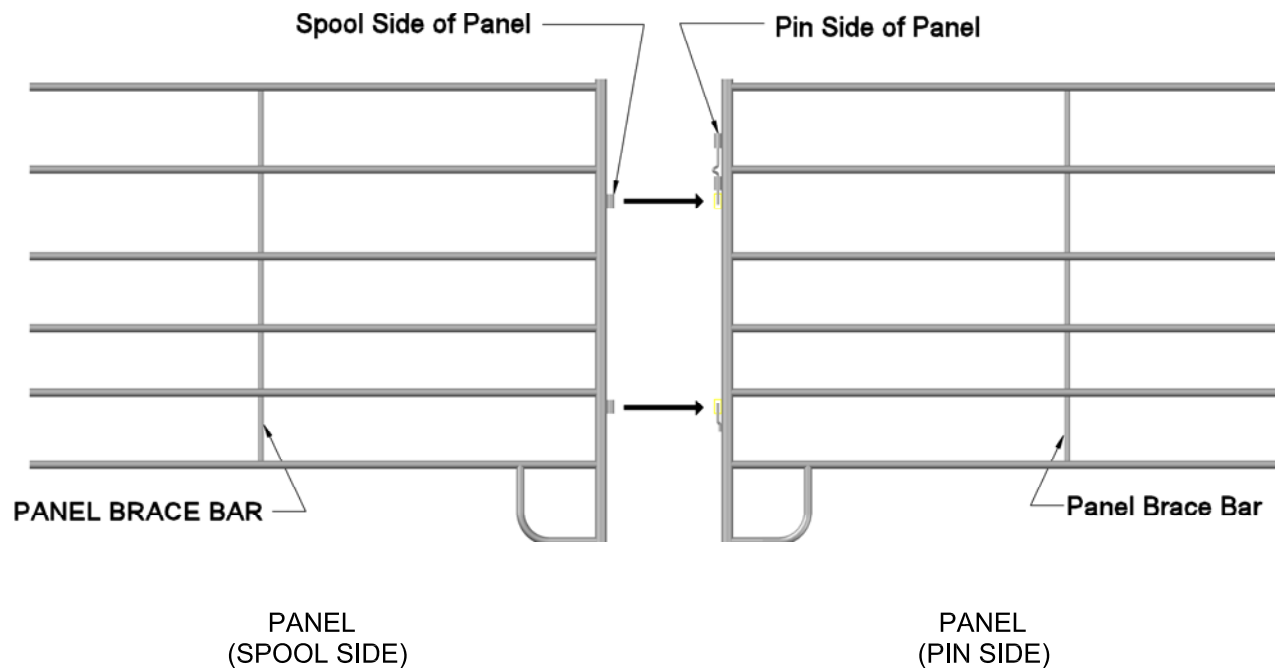
STANDING BEHIND THE CHUTE
 PANEL TO RIGHT SIDE CHUTE CONNECTION w/ POST A2

PANEL TO PANEL CONNECTION

(SPOOL TO PIN)

SPOOL TO PIN PANEL CONNECTION

1. SLIGHTLY TILT UNCONNECTED PANEL AND PLACE BOTTOM SPOOL OVER OTHER PANELS BOTTOM PIN.
2. LIFT TOP PIN AND POSITION PANEL SPOOL UNDER PIN SIDE AND RELEASE PIN.
3. PANEL SHOULD NOW BE CONNECTED. YOU CAN ADJUST ONE PANEL 90° FOR BALANCE.



NOTE: WHEN PLACING PANELS - THE PANEL BRACE BAR FACES OUTSIDE OF THE ARENA AREA

SPOOL TO PIN PANEL TO PANEL CONNECTION