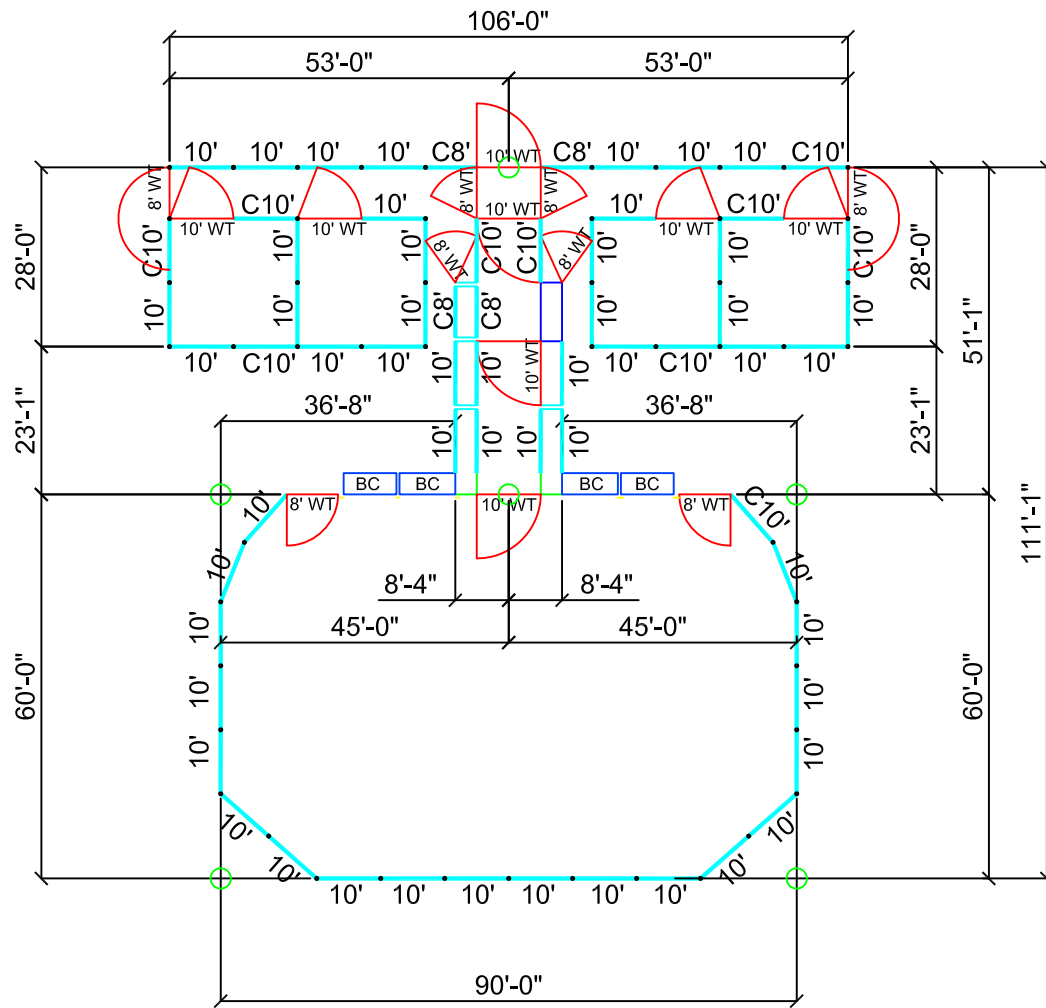


RED RIVER ARENAS.com

“Spend Less, Get More!”

800-343-1026



60'x90' Bucking Arena

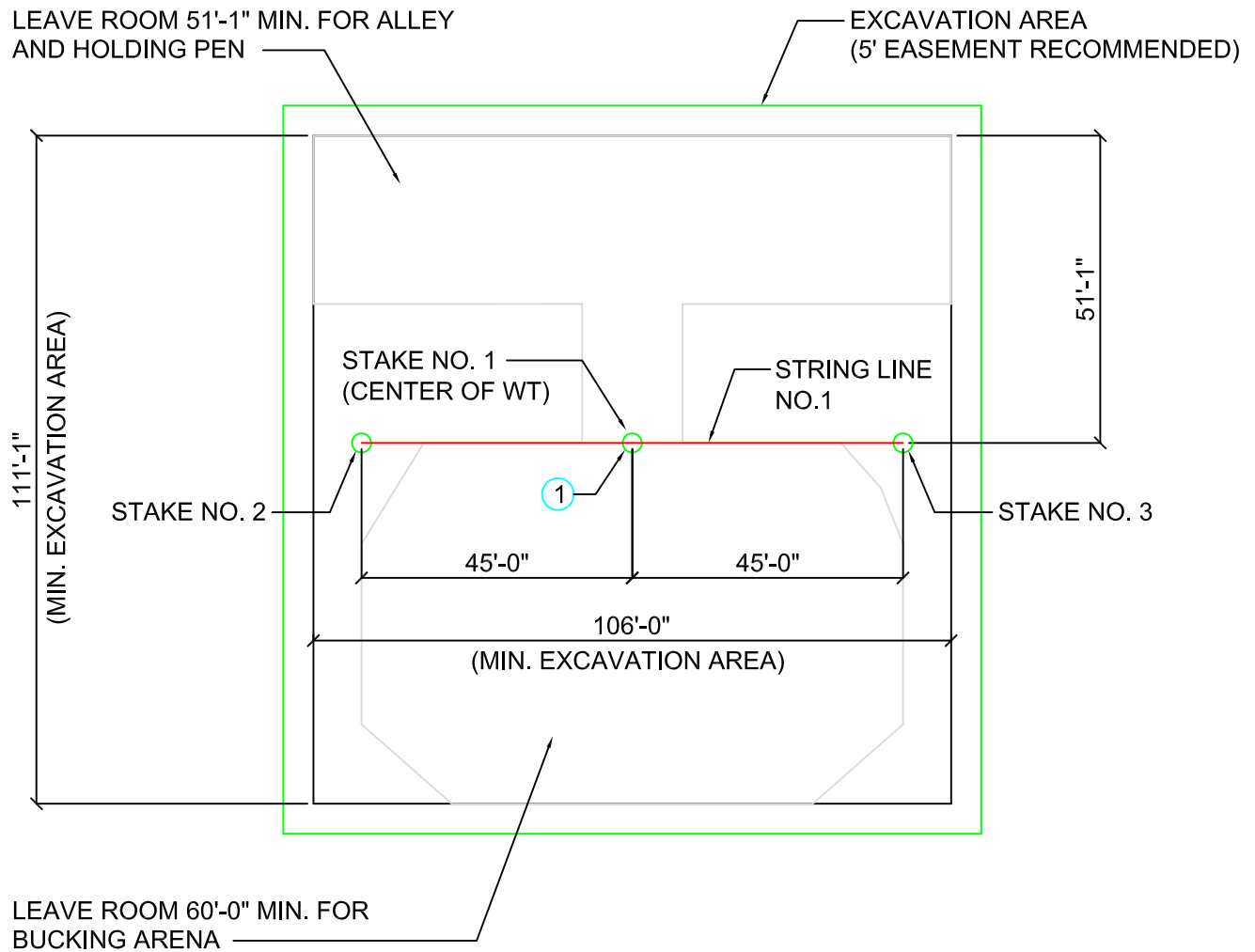
Scale: 1" = 30'-0"

60' x 90' BUCKING ARENA EXCAVATION AREA

MINIMUM EXCAVATION AREA IS 106'-0" BY 111'-1"

- 1 Start by staking out the Alley Entrance (WalkThrough Gate) and Bucking Shoots (This will help in squaring off the Bucking Shoots and the overall Arena.)

NOTE: IF EXCAVATION EXCEEDS THE GIVEN DIMENSIONS OWNER WILL NEED TO COMPENSATE ACCORDINGLY



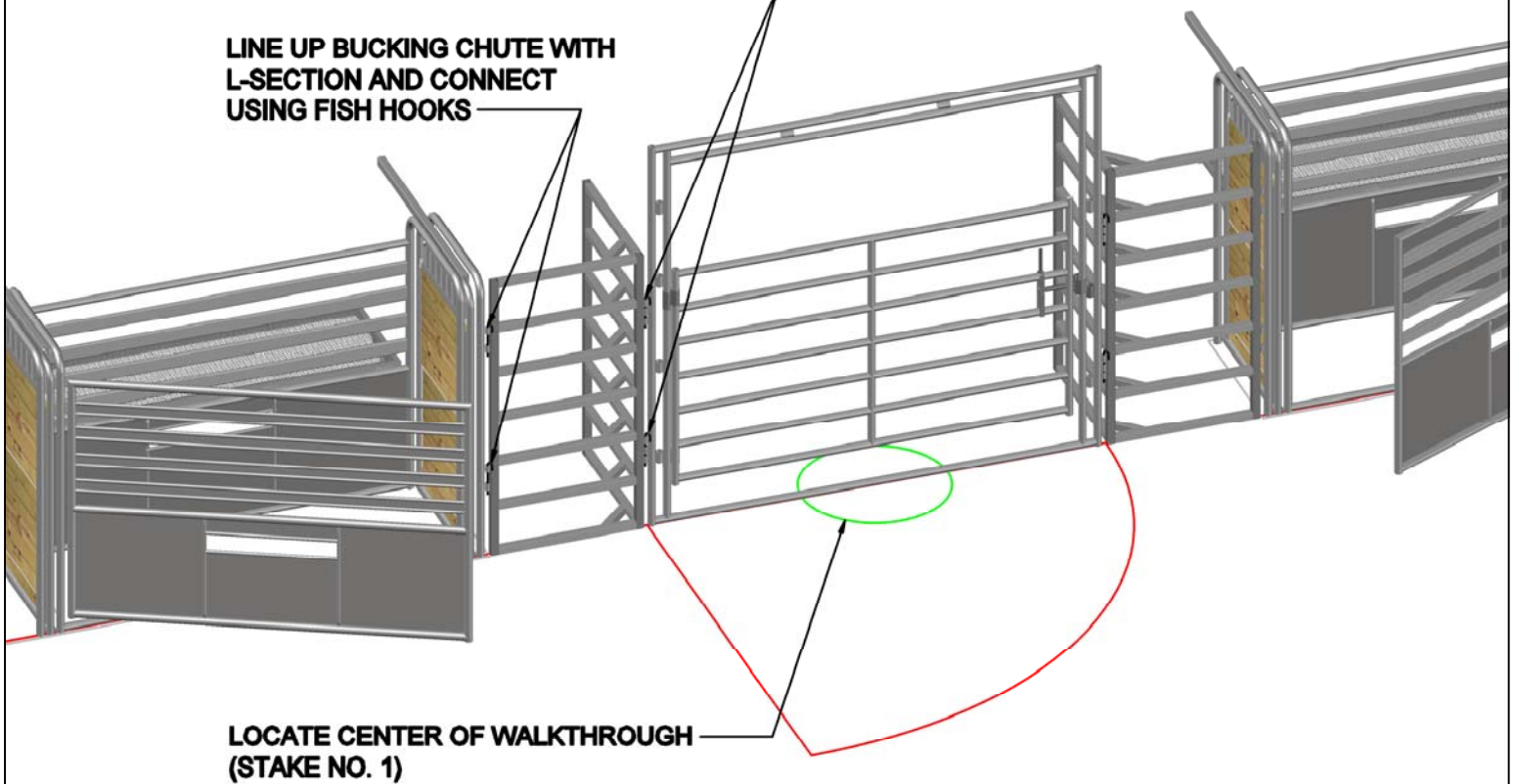
60' x 90' BUCKING ARENA SPOOL CONNECTIONS

- 2 Place 10' WalkThrough and L-Section and Bucking Chutes using Stake No. 1 to locate Center of Gate.
(Use string line no.1 to line up 10' WT and L-Sections and Bucking Chutes.)

**NOTE: DOUBLE AND SINGLE SPOOLS ARE USED TO CONNECT ITEMS TOGETHER.
IF THE SPOOLS DO NOT MATCH A CONNECTION PLEASE VERIFY
CORRECT ITEM AND ORIENTATION ARE BEING USED.**

LINE UP L-SECTION WITH WALKTHROUGH GATE
AND CONNECT USING FISH HOOKS

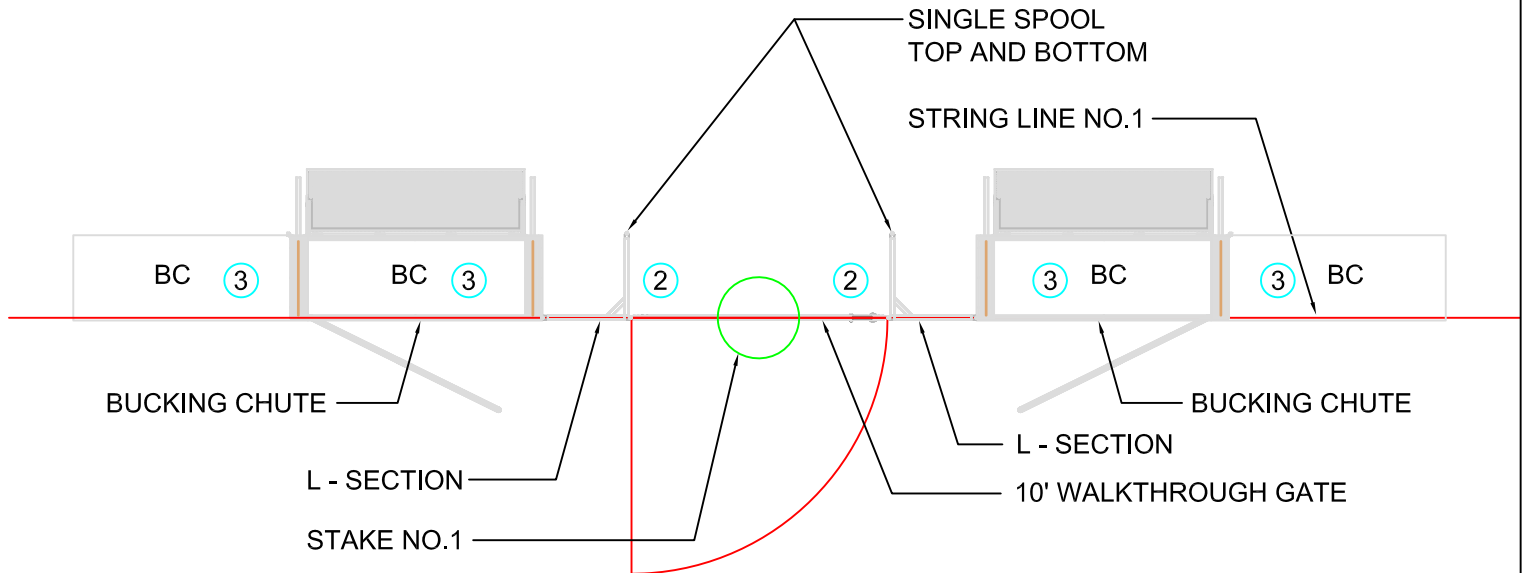
LINE UP BUCKING CHUTE WITH
L-SECTION AND CONNECT
USING FISH HOOKS



60' x 90' BUCKING ARENA BUCKING CHUTE PLACEMENTS

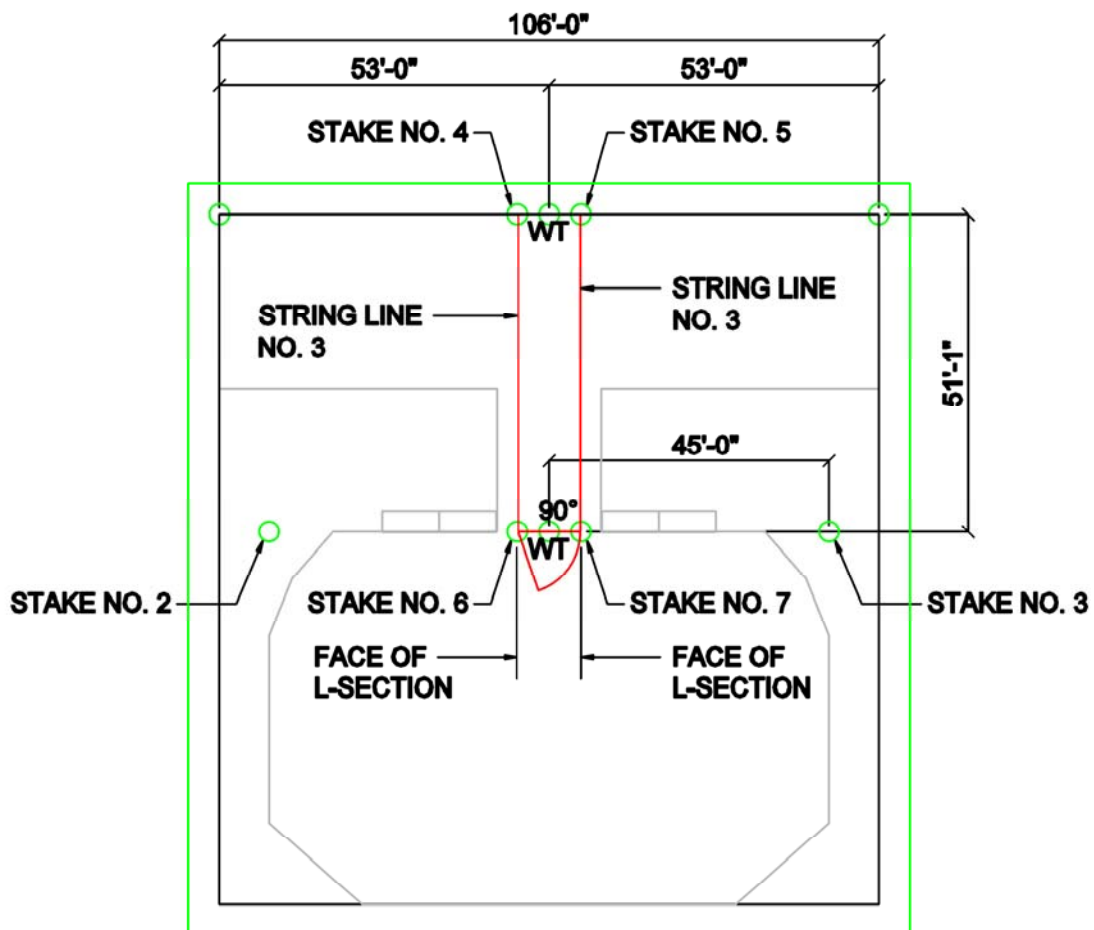
- ② Place L-Sections and 10' WalkThrough using Stake No. 1 to locate Center of Gate.
(Use string line no.1 to line up 10' WT and L-Sections.)
- ③ Place ALL Bucking Chutes and align with WalkThrough and L-Sections.
(Use string line no.1 to line up Bucking Chutes.)

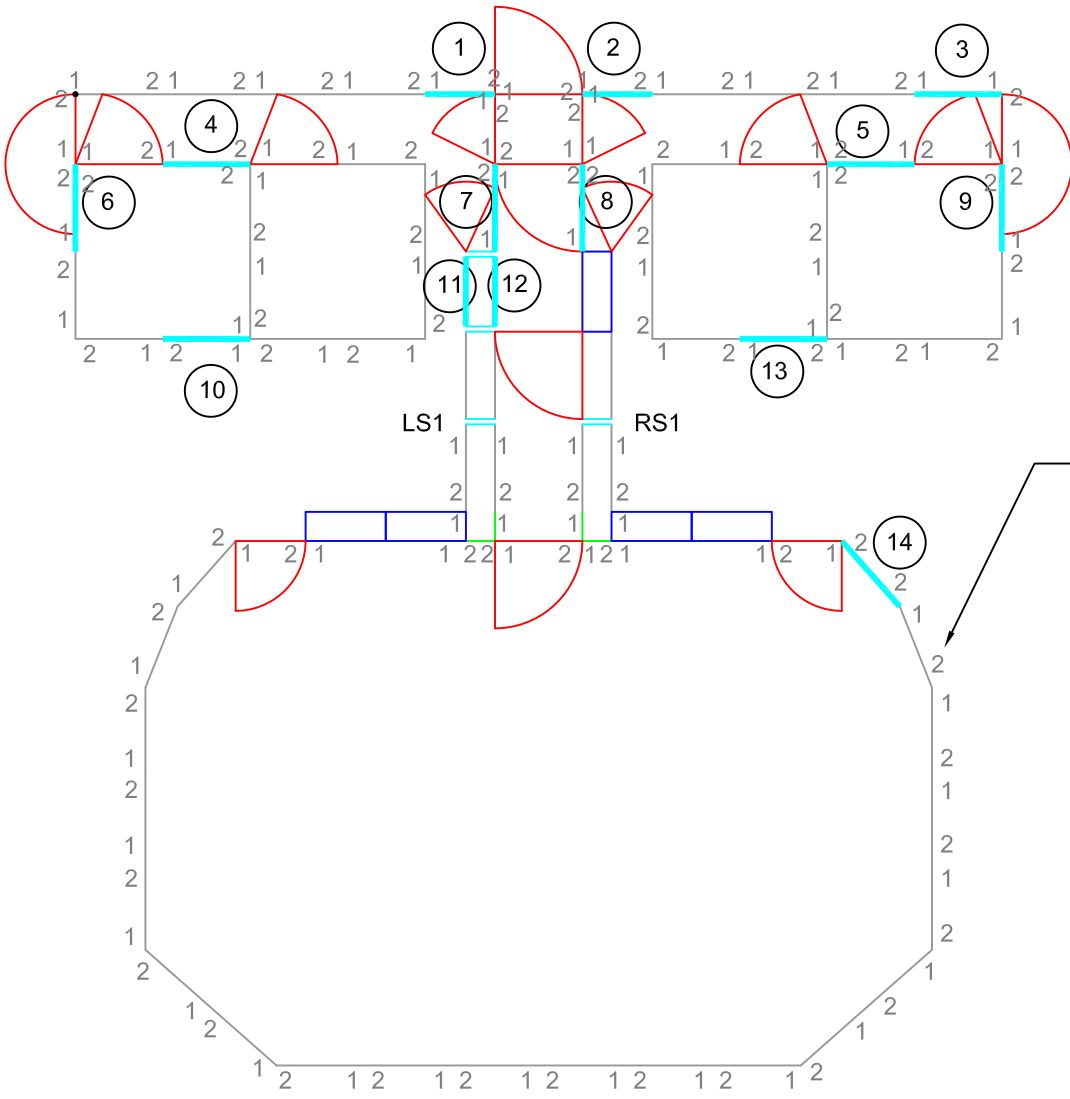
**NOTE: DOUBLE AND SINGLE SPOOLS ARE USED TO CONNECT ITEMS TOGETHER.
IF THE SPOOLS DO NOT MATCH A CONNECTION PLEASE VERIFY
CORRECT ITEM AND ORIENTATION ARE BEING USED.**



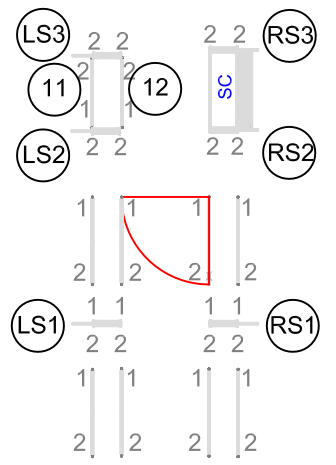
60' x 90' BUCKING ARENA MAIN ALLEY ENTRANCE

- ④ Using the Face of the L-Sections, run a string line to the Back WalkThrough.
(This will help in lining up the Slidders, Walkthroughs and Stripping Chute.)





NOTE:
 CUSTOM PANEL NUMBERS ARE LOCATED ON PANEL LEG
 NUMBER INDICATES SINGLE OR DOUBLE SPOOLS



①	SINGLE	DOUBLE SINGLE	
②	SINGLE SINGLE	DOUBLE	
③	SINGLE	SINGLE	
④	SINGLE	DOUBLE DOUBLE	
⑤	DOUBLE DOUBLE	SINGLE	
⑥	SINGLE	DOUBLE DOUBLE	
⑦	SINGLE	DOUBLE SINGLE	

⑧	SINGLE	DOUBLE DOUBLE	
⑨	SINGLE	DOUBLE DOUBLE	
⑩	DOUBLE	SINGLE SINGLE	
⑪	SINGLE	DOUBLE (7'-6" LENGTH)	
⑫	SINGLE	DOUBLE (7'-6" LENGTH)	
⑬	SINGLE	SINGLE DOUBLE	
⑭	DOUBLE	DOUBLE	