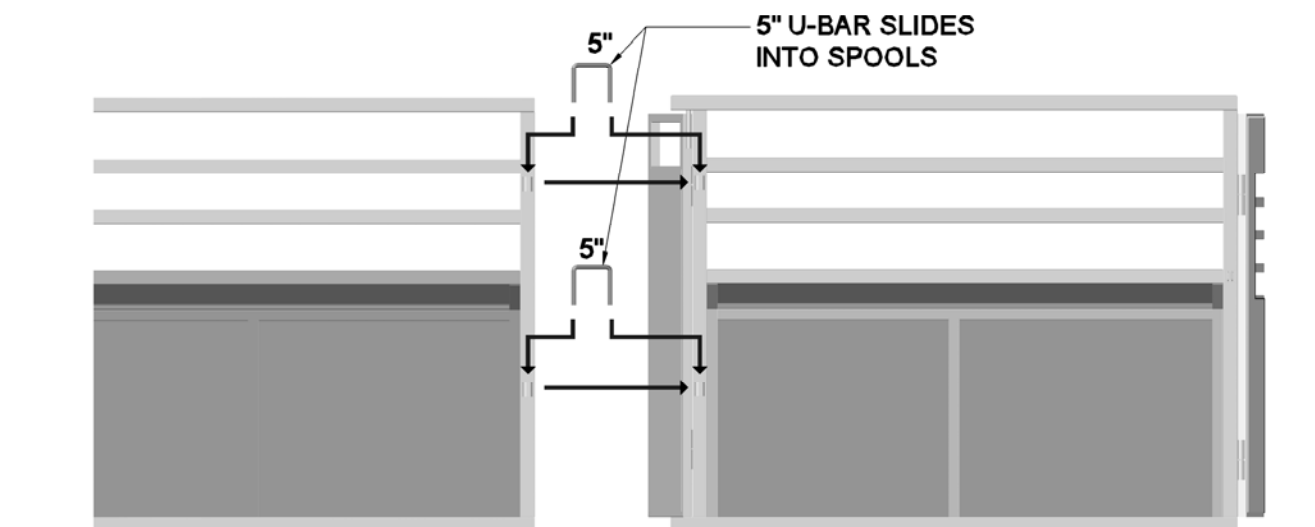


EXTENSION TO CHUTE CONNECTION

1.) Slide 5" U-BARS into CHUTE and EXTENSION spools.



CHUTE EXTENSION

ROPING CHUTE RIGHT SIDE

RIGHT SIDE STANDING BEHIND THE CHUTE
EXTENSION TO RIGHT SIDE CHUTE CONNECTION w/ 5" U-BARS