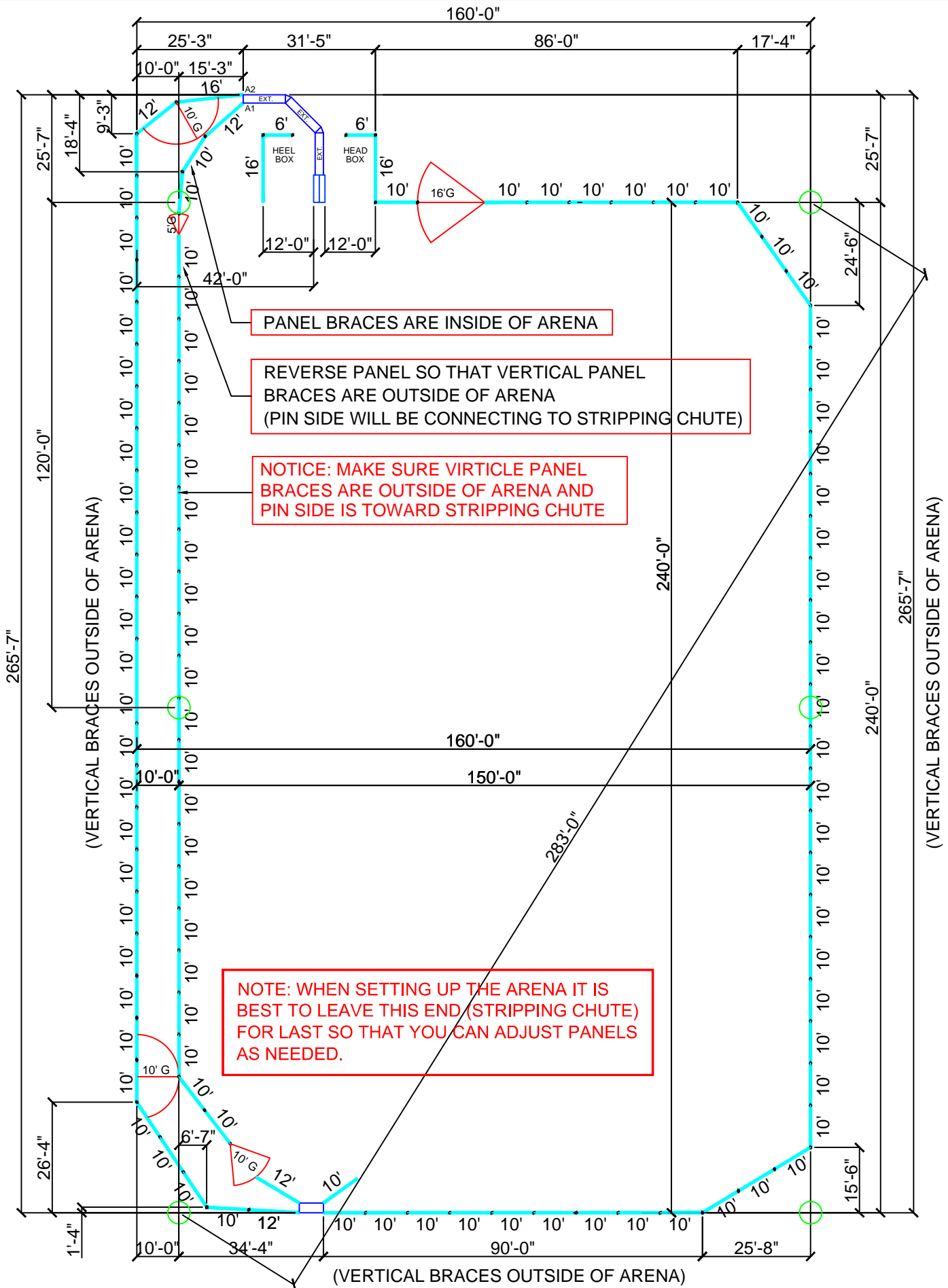


***RED RIVER ARENAS.com***

***“Spend Less, Get More!”***

***800-343-1026***



PANEL BRACES ARE INSIDE OF ARENA

REVERSE PANEL SO THAT VERTICAL PANEL BRACES ARE OUTSIDE OF ARENA (PIN SIDE WILL BE CONNECTING TO STRIPPING CHUTE)

NOTICE: MAKE SURE VIRTICLE PANEL BRACES ARE OUTSIDE OF ARENA AND PIN SIDE IS TOWARD STRIPPING CHUTE

NOTE: WHEN SETTING UP THE ARENA IT IS BEST TO LEAVE THIS END (STRIPPING CHUTE) FOR LAST SO THAT YOU CAN ADJUST PANELS AS NEEDED.

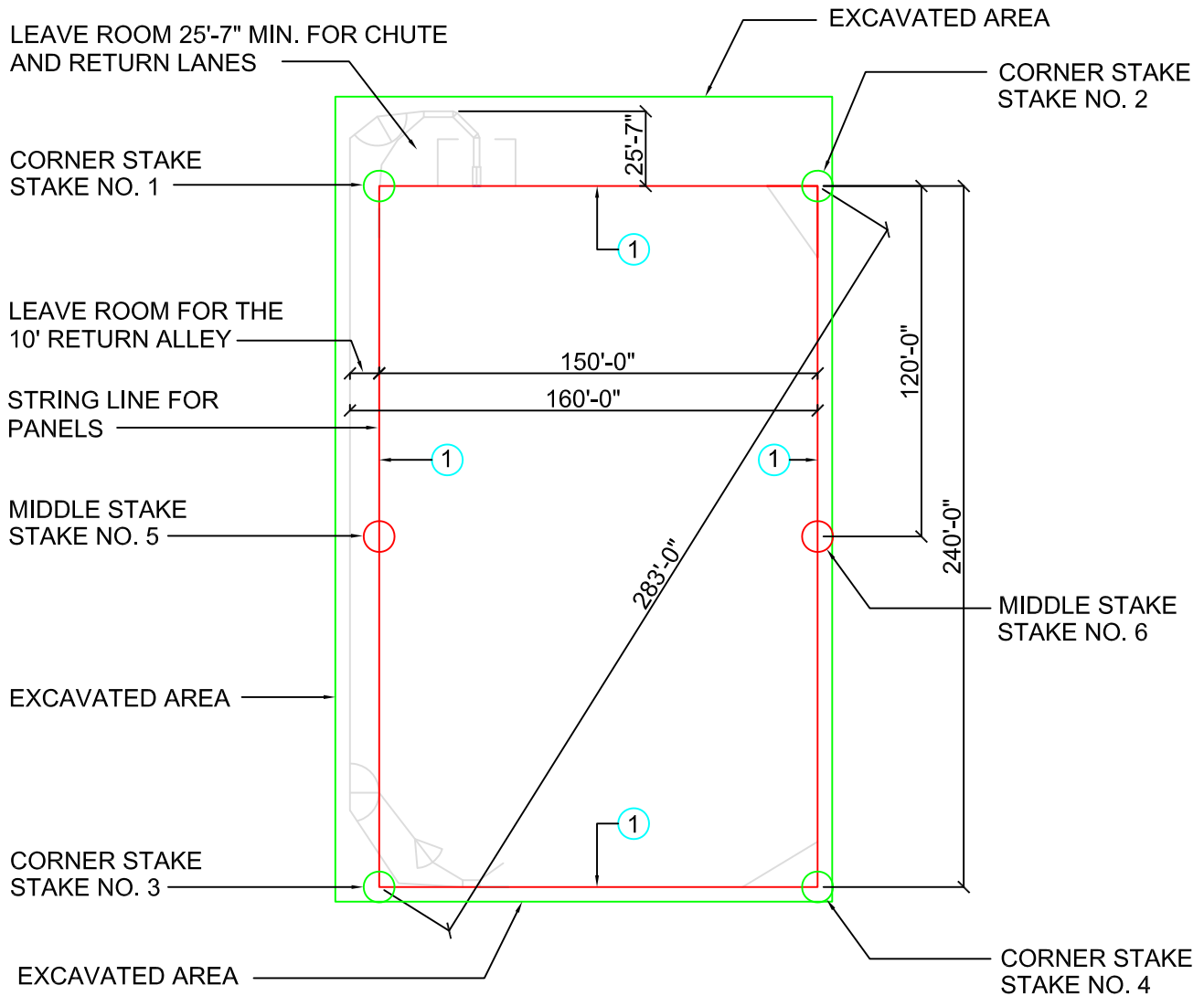
# 150' X 240' w/ EXTENSIONS

## EXCAVATION AREA

MINIMUM EXCAVATION AREA IS 160'-0" BY 265'-7"

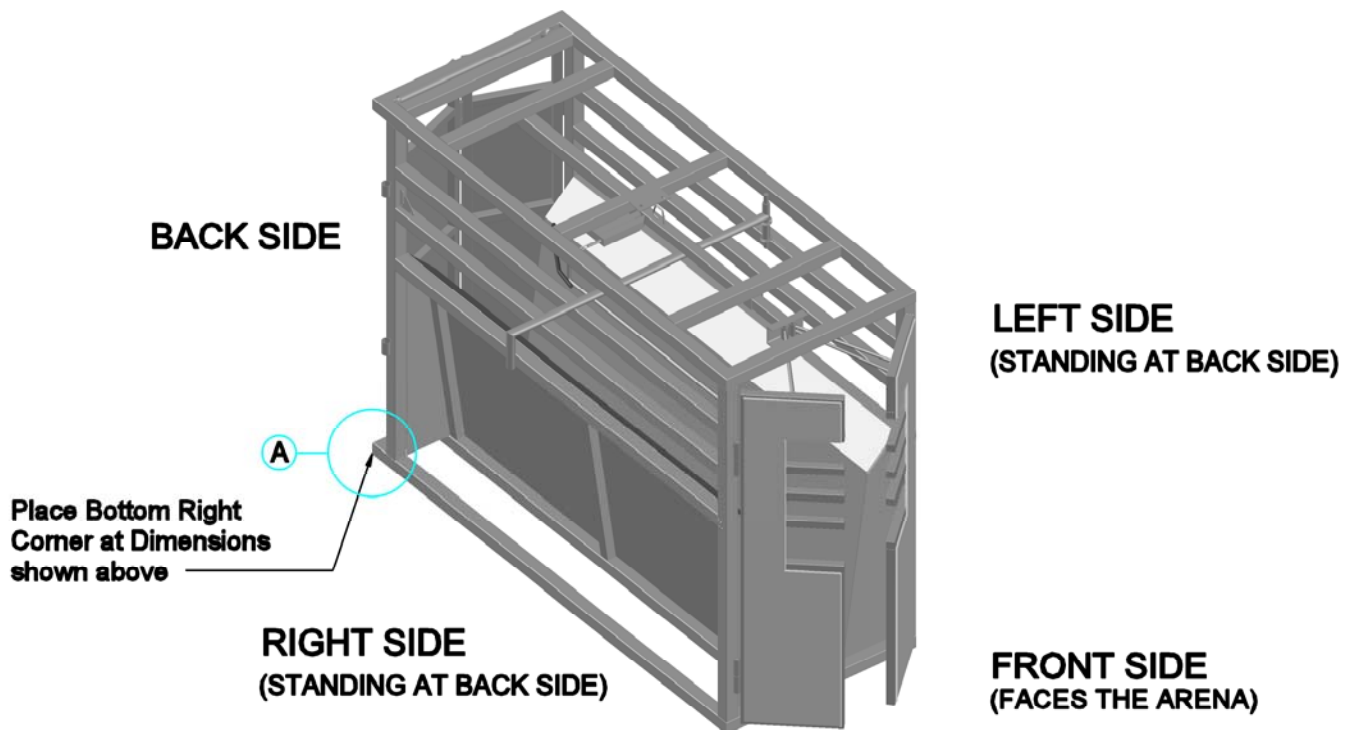
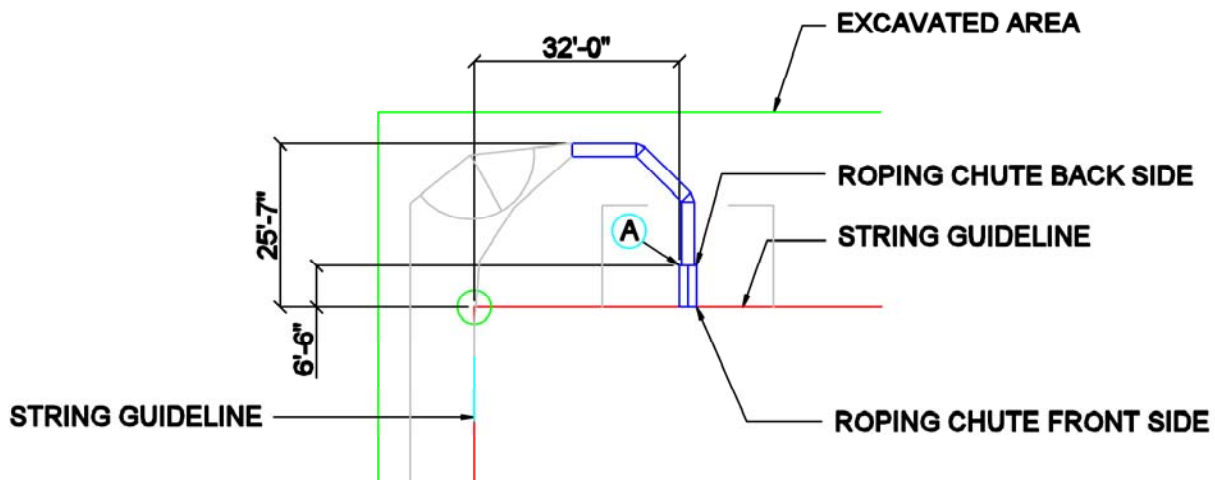
- 1 Start by staking out the Arena Area (150'-0" by 240'-0") to use as a guideline for panels.

NOTE: IF EXCAVATION EXCEEDS THE GIVEN DIMENSIONS OWNER WILL NEED TO COMPENSATE ACCORDINGLY



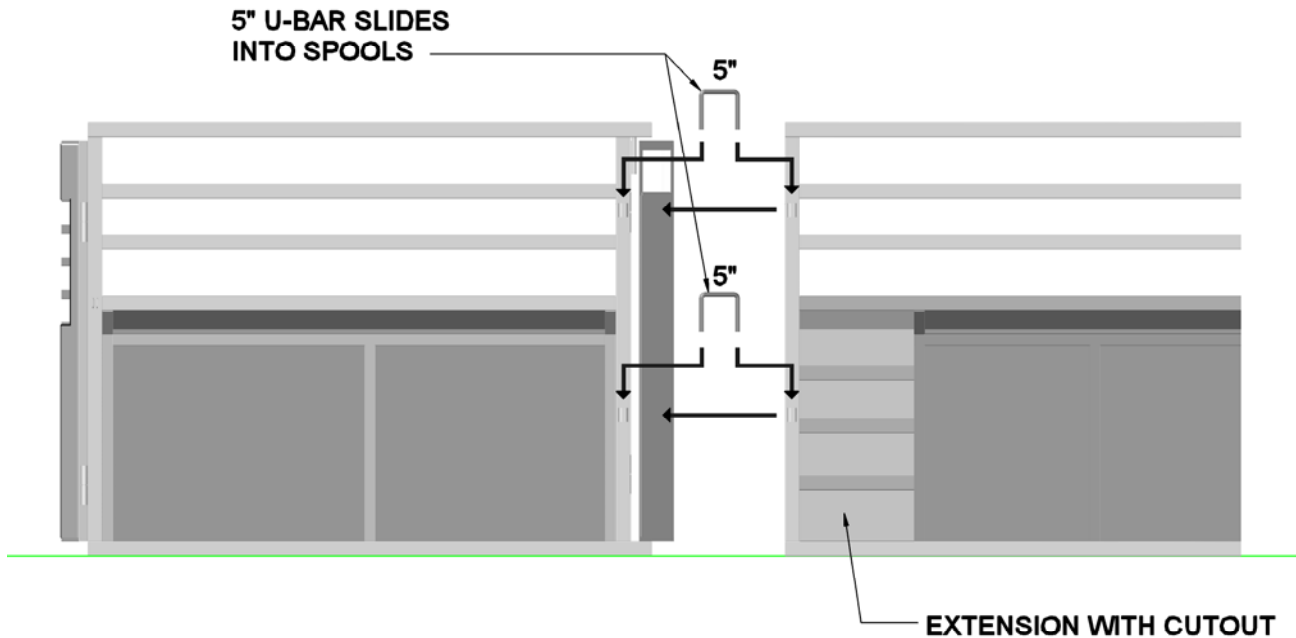
# 150' X 240' w/ EXTENSIONS ROPING CHUTE LOCATION

② Position the BACK Corner **A** of the Roping Chute at the dimension shown below:



# EXTENSION TO CHUTE CONNECTION

1.) Slide 5" U-BARS into CHUTE and EXTENSION spools.



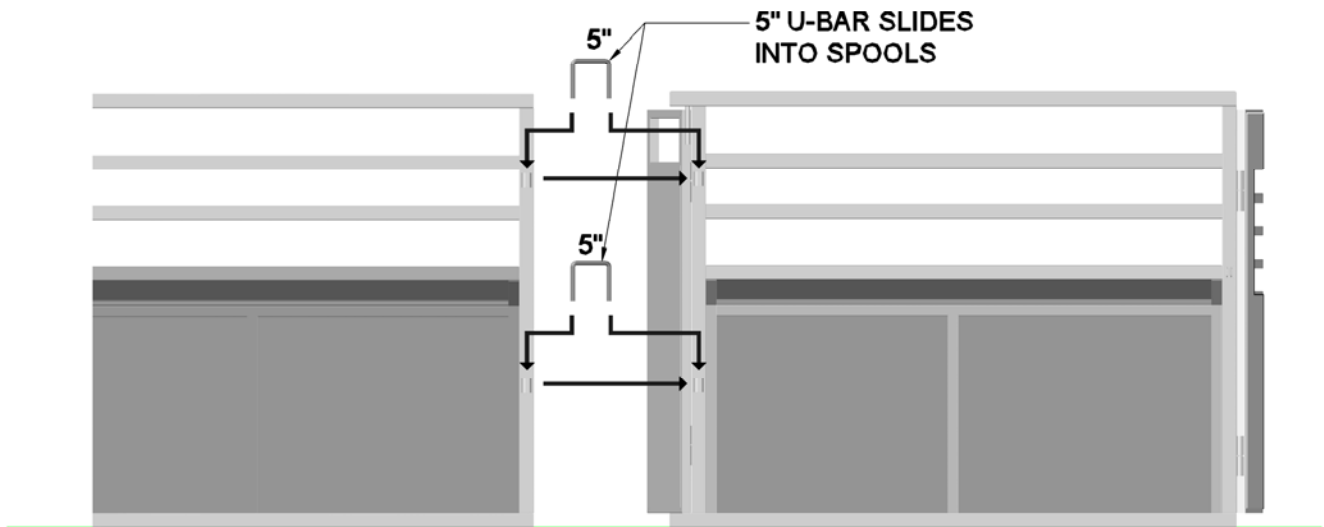
ROPING CHUTE LEFT SIDE

CHUTE EXTENSION

LEFT SIDE STANDING BEHIND THE CHUTE  
EXTENSION TO LEFT SIDE CHUTE CONNECTION w/ 5" U-BARS

# EXTENSION TO CHUTE CONNECTION

1.) Slide 5" U-BARS into CHUTE and EXTENSION spools.

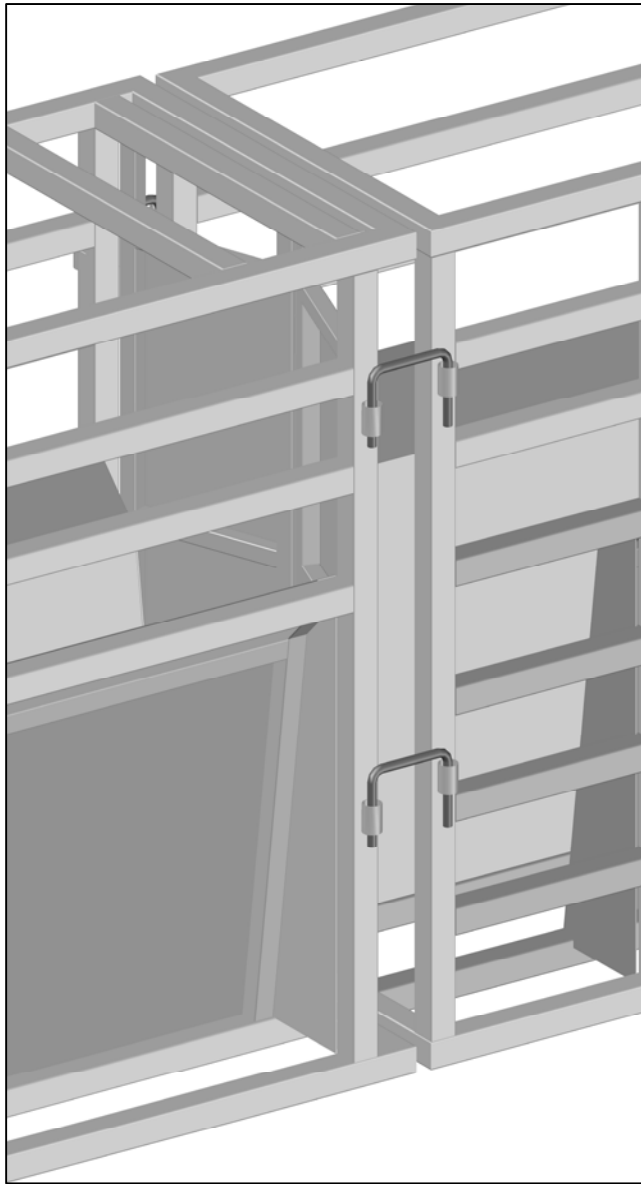


CHUTE EXTENSION

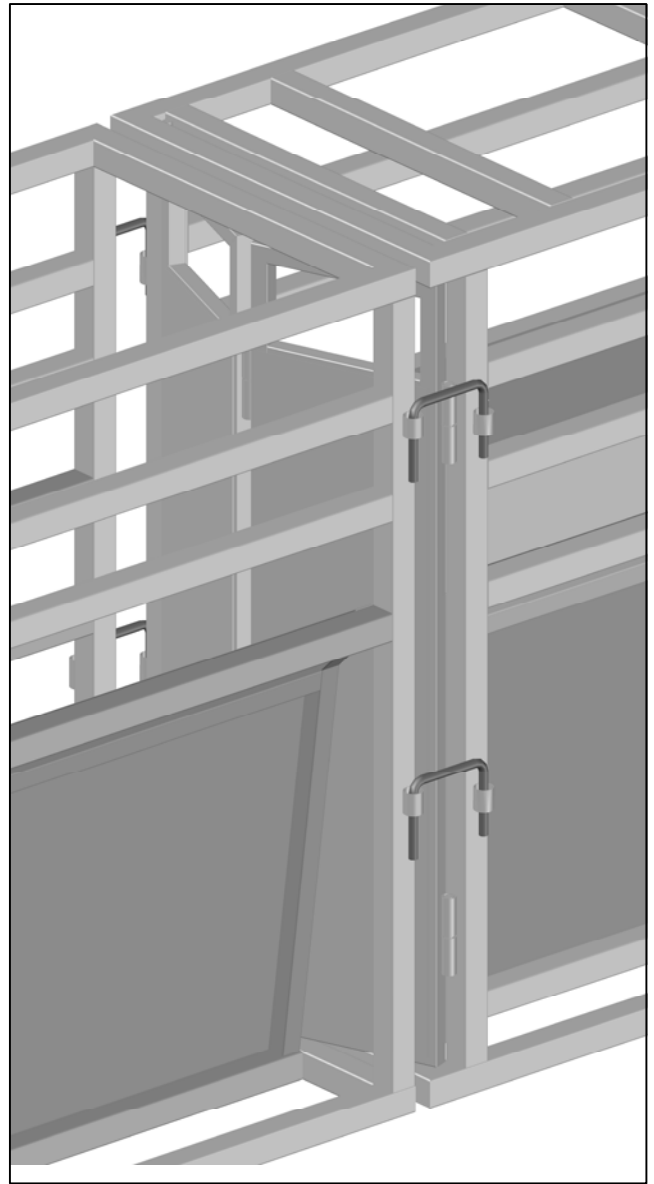
ROPING CHUTE RIGHT SIDE

RIGHT SIDE STANDING BEHIND THE CHUTE  
EXTENSION TO RIGHT SIDE CHUTE CONNECTION w/ 5" U-BARS

# EXTENSION TO CHUTE CONNECTION



ROPING CHUTE LEFT SIDE  
(1/2" x 5" U-BAR)



ROPING CHUTE RIGHT SIDE  
(1/2" x 5" U-BAR)

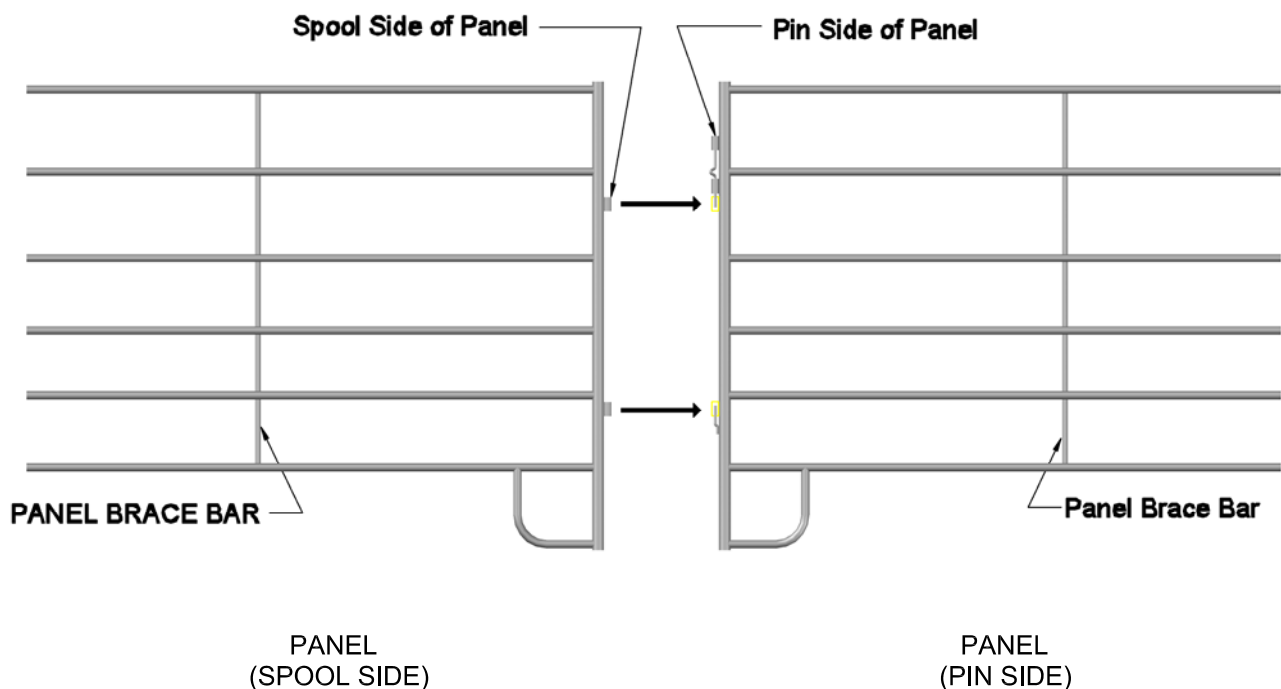
STANDING BEHIND CHUTE  
LEFT AND RIGHT EXTENSION TO CHUTE U-BAR CONNECTIONS

# PANEL TO PANEL CONNECTION

(SPOOL TO PIN)

## SPOOL TO PIN PANEL CONNECTION

1. SLIGHTLY TILT UNCONNECTED PANEL AND PLACE BOTTOM SPOOL OVER OTHER PANELS BOTTOM PIN.
2. LIFT TOP PIN AND POSITION PANEL SPOOL UNDER PIN SIDE AND RELEASE PIN.
3. PANEL SHOULD NOW BE CONNECTED. YOU CAN ADJUST ONE PANEL 90° FOR BALANCE.

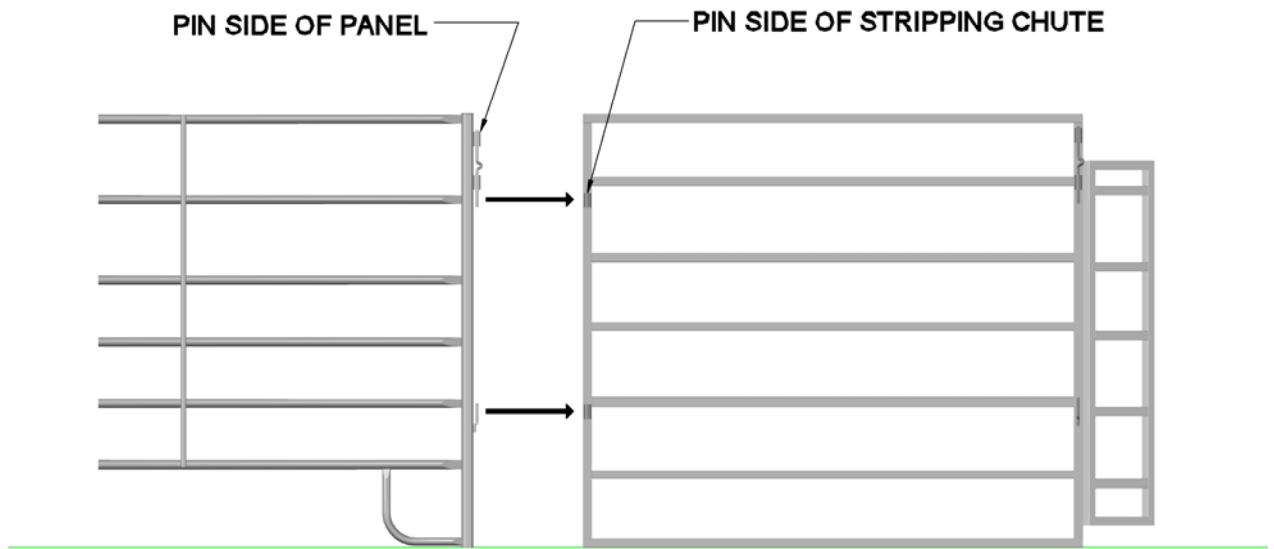


**NOTE: WHEN PLACING PANELS - THE PANEL BRACE BAR FACES OUTSIDE OF THE ARENA AREA**

SPOOL TO PIN PANEL TO PANEL CONNECTION



# PANEL TO STRIPPING CHUTE CONNECTION

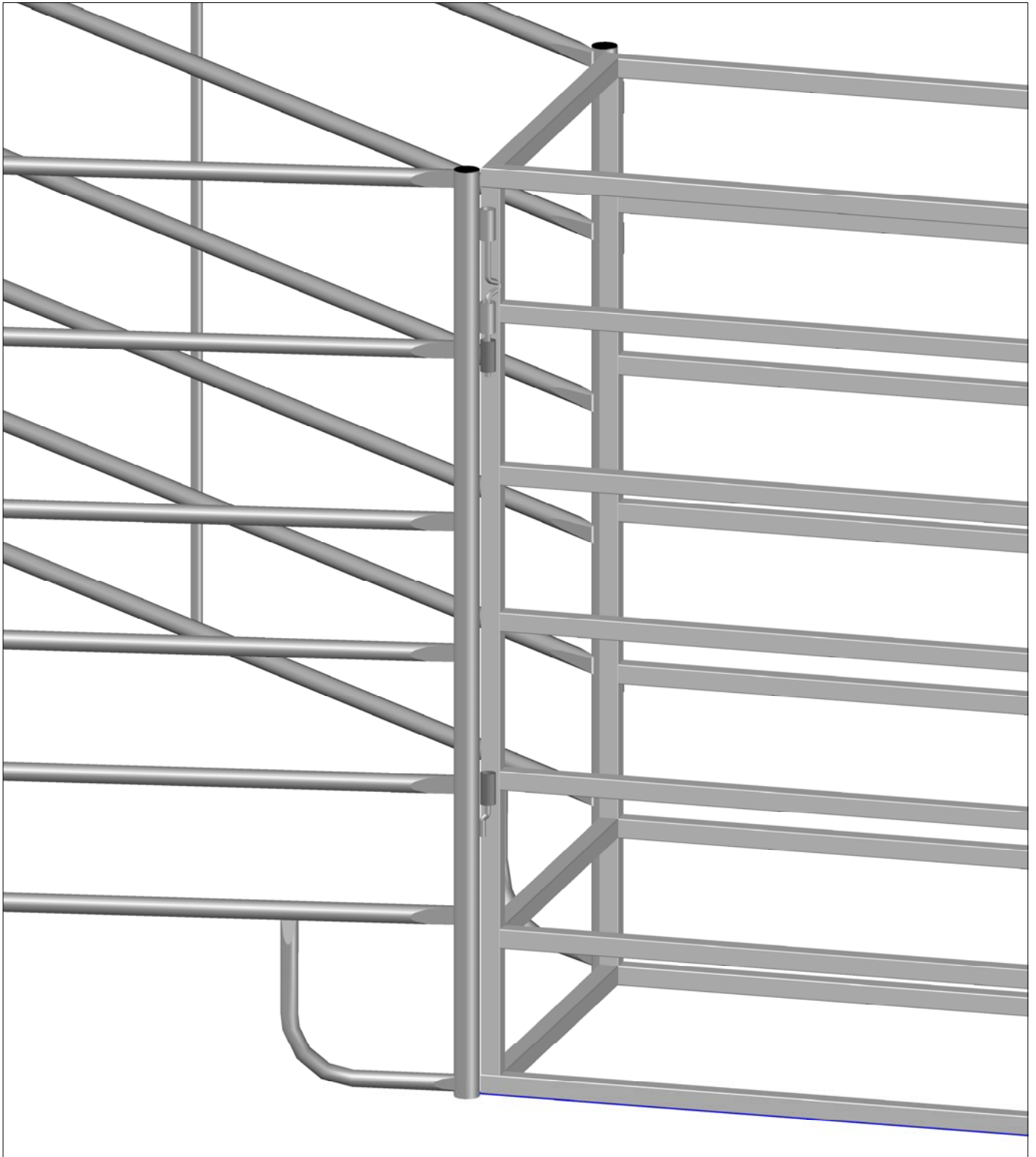


**PANEL  
(PIN SIDE)**

**STRIPPING CHUTE**

**PANEL TO STRIPING CHUTE CONNECTION**

# PANEL TO STRIPPING CHUTE



PANEL TO STRIPPING CHUTE CONNECTIONS