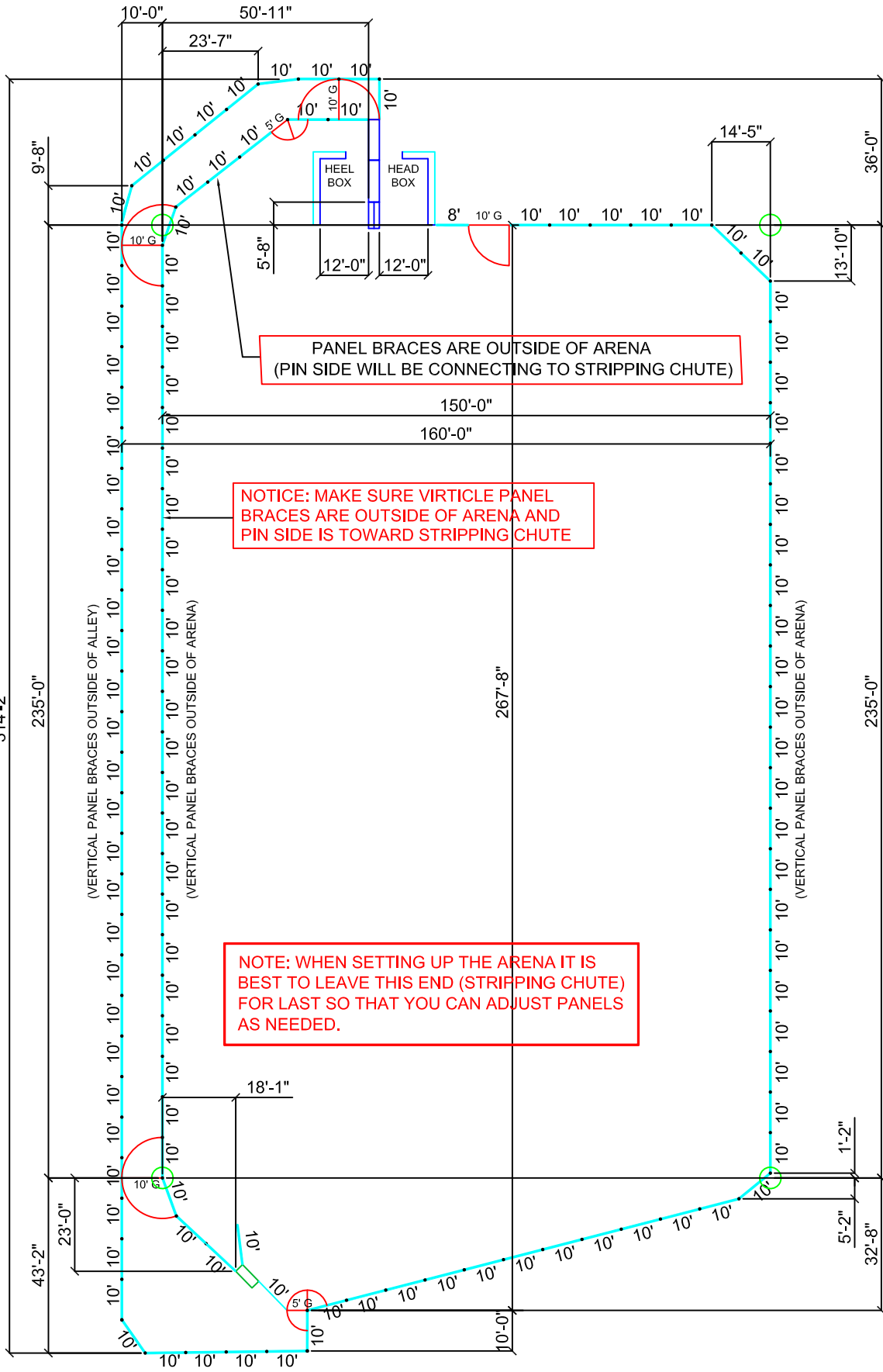


RED RIVER ARENAS.com

“Spend Less, Get More!”

800-343-1026



PANEL BRACES ARE OUTSIDE OF ARENA
(PIN SIDE WILL BE CONNECTING TO STRIPPING CHUTE)

NOTICE: MAKE SURE VIRTICLE PANEL
BRACES ARE OUTSIDE OF ARENA AND
PIN SIDE IS TOWARD STRIPPING CHUTE

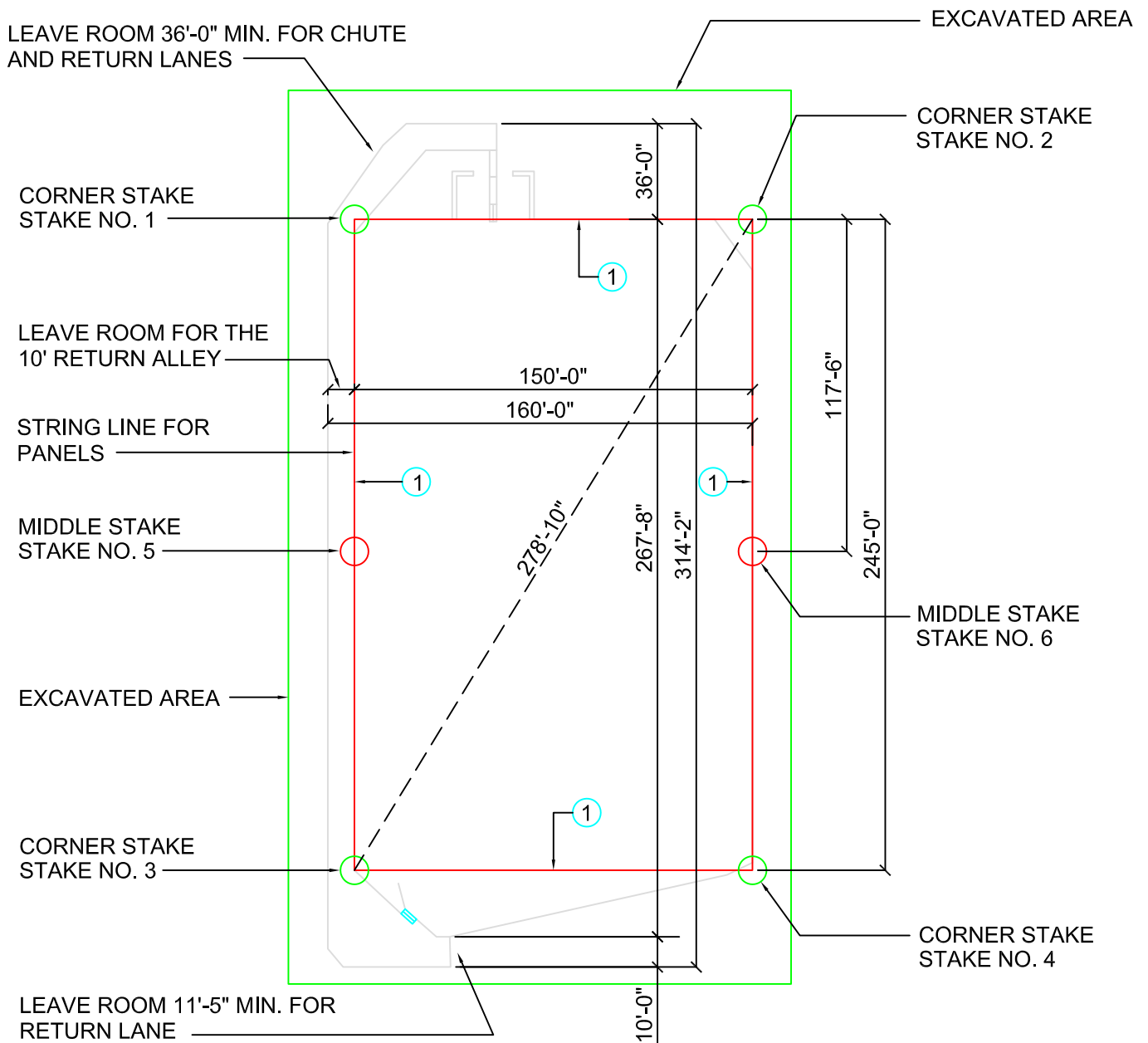
NOTE: WHEN SETTING UP THE ARENA IT IS
BEST TO LEAVE THIS END (STRIPPING CHUTE)
FOR LAST SO THAT YOU CAN ADJUST PANELS
AS NEEDED.

150' X 270' WINNERS CHOICE EXCAVATION AREA

MINIMUM EXCAVATION AREA IS 160'-0" BY 314'-2"

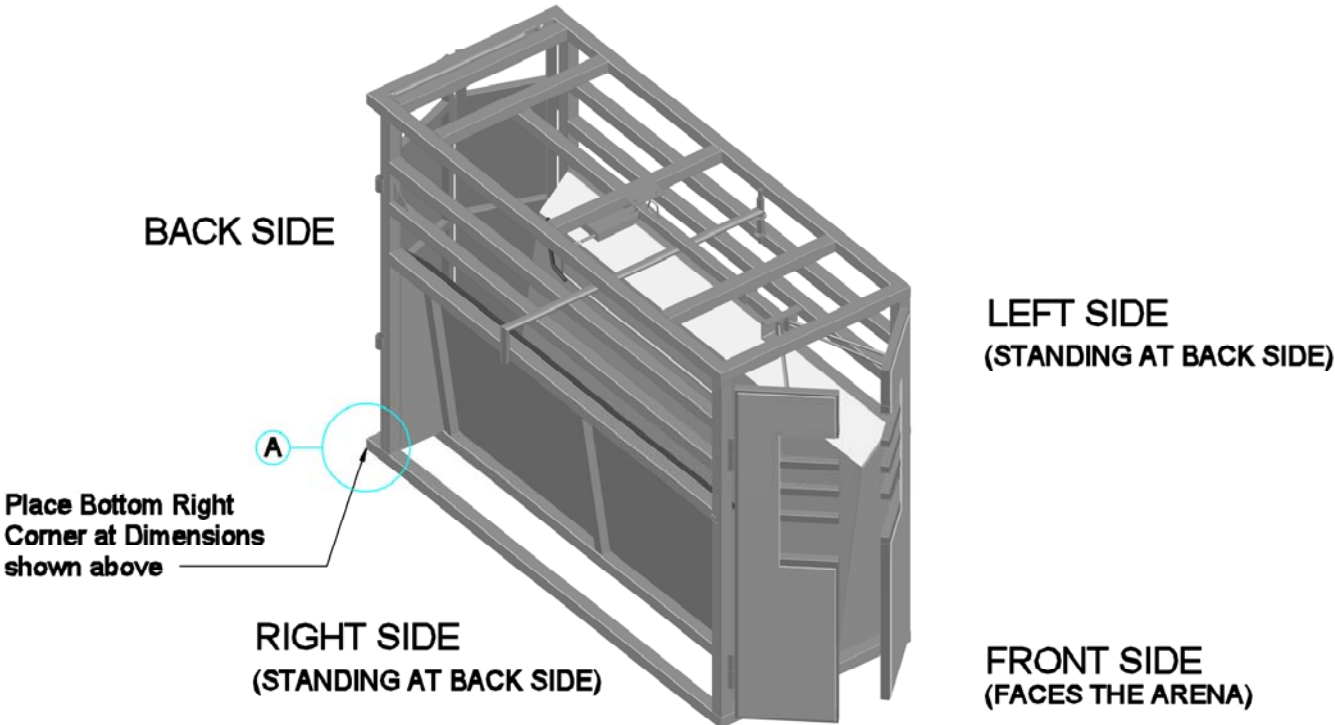
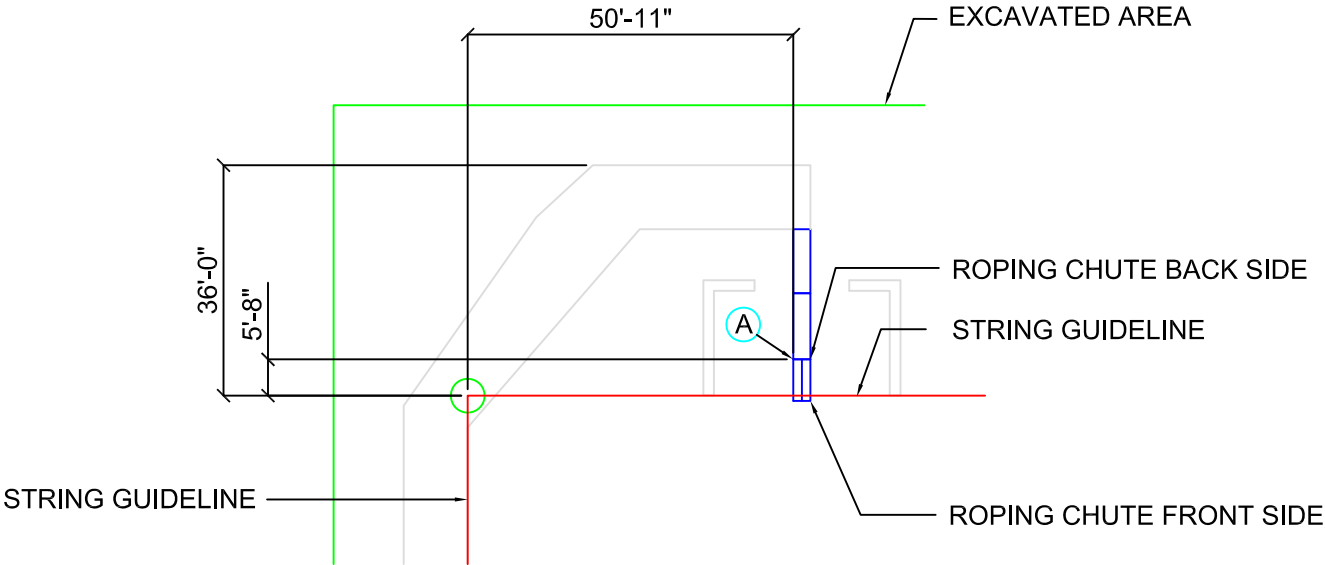
- 1 Start by staking out the Arena Area (150'-0" by 245'-0") to use as a guideline for panels.

NOTE: IF EXCAVATION EXCEEDS THE GIVEN DIMENSIONS OWNER WILL NEED TO COMPENSATE ACCORDINGLY



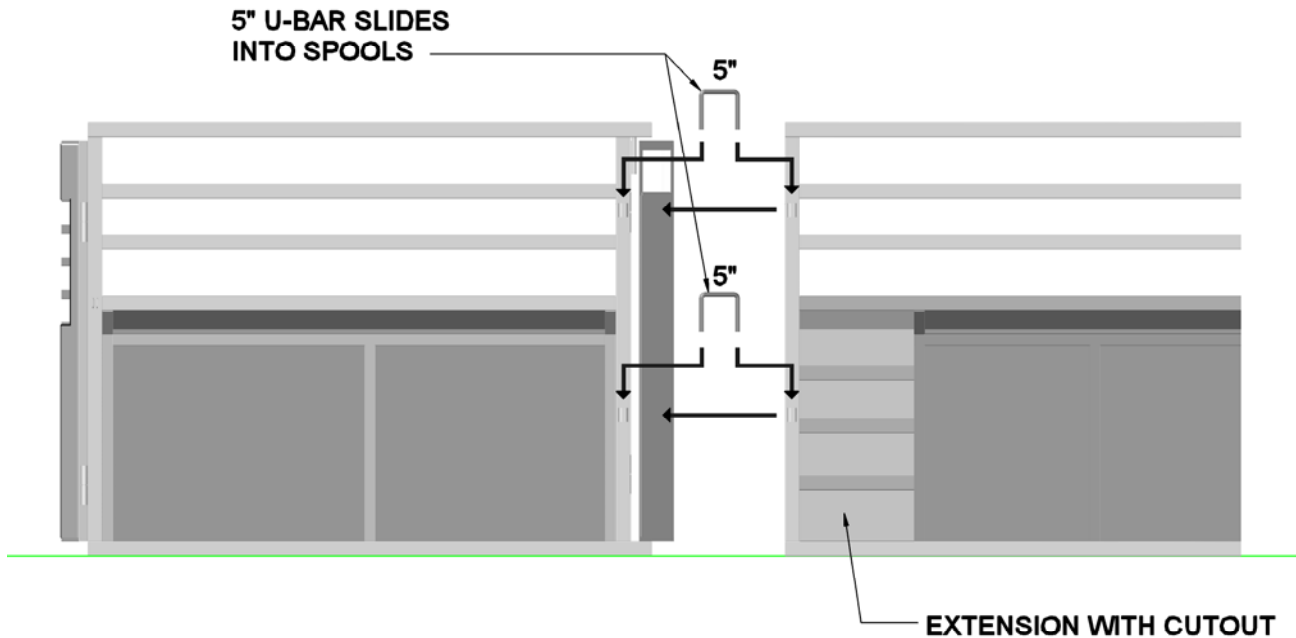
150' X 250' WINNERS CHOICE ROPING CHUTE LOCATION

② Position the BACK Corner (A) of the Roping Chute at the dimension shown below:



EXTENSION TO CHUTE CONNECTION

1.) Slide 5" U-BARS into CHUTE and EXTENSION spools.



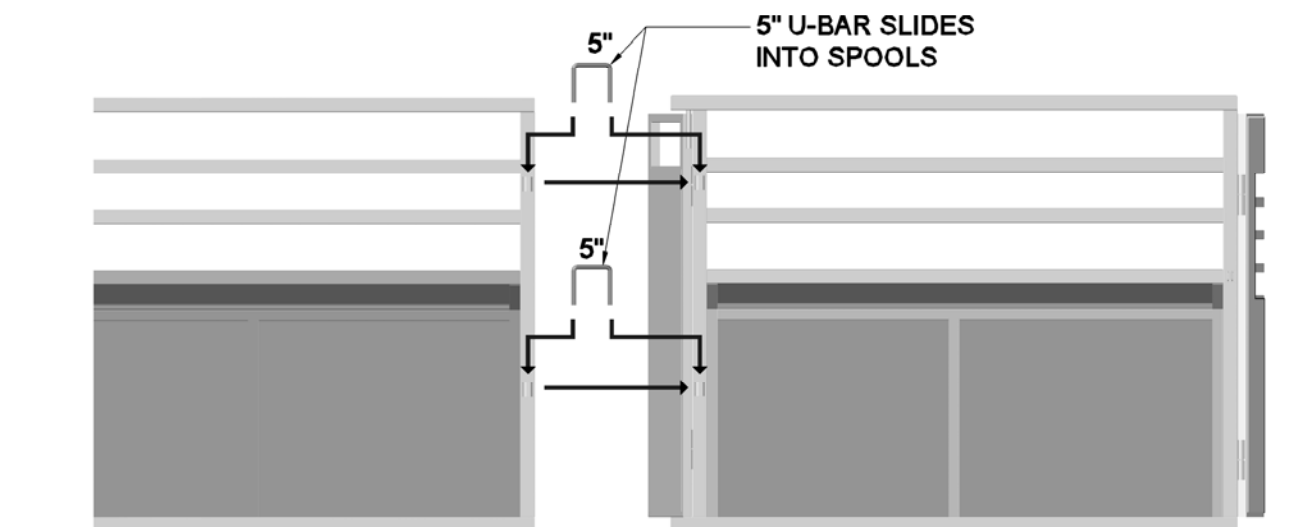
ROPING CHUTE LEFT SIDE

CHUTE EXTENSION

LEFT SIDE STANDING BEHIND THE CHUTE
EXTENSION TO LEFT SIDE CHUTE CONNECTION w/ 5" U-BARS

EXTENSION TO CHUTE CONNECTION

1.) Slide 5" U-BARS into CHUTE and EXTENSION spools.

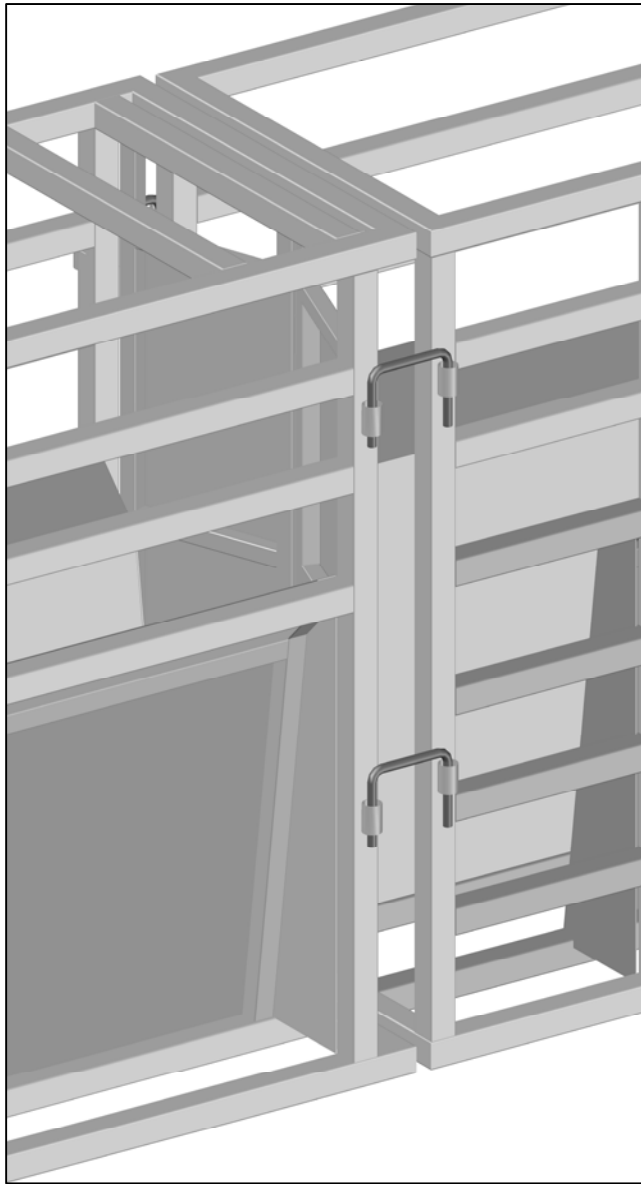


CHUTE EXTENSION

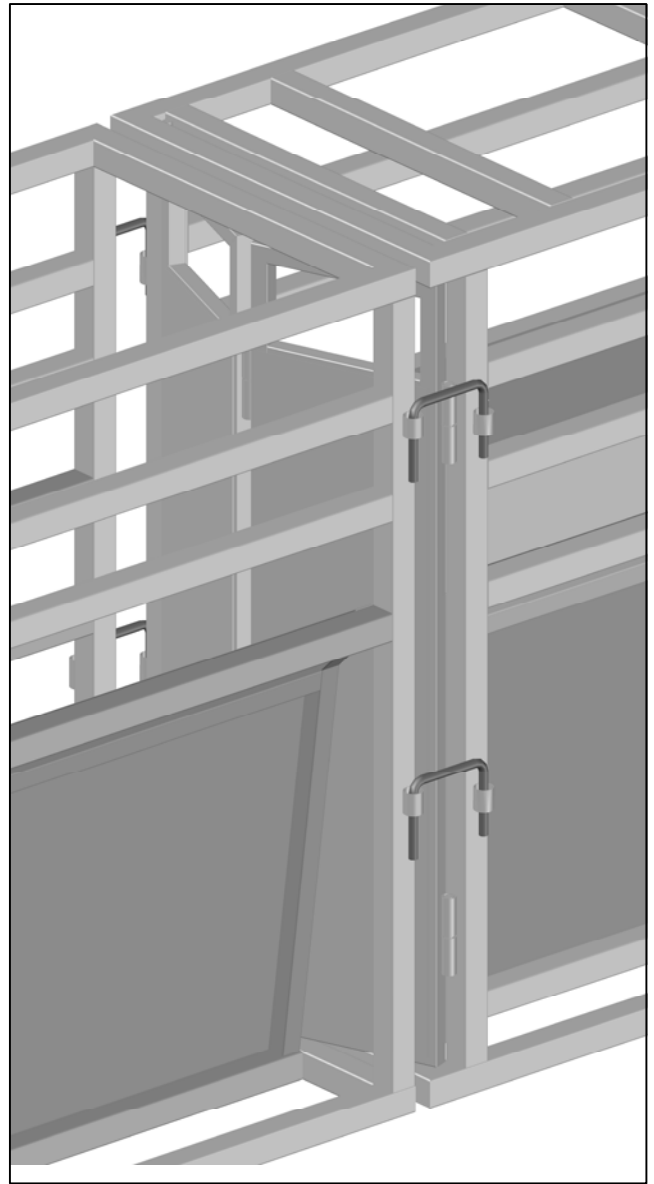
ROPING CHUTE RIGHT SIDE

RIGHT SIDE STANDING BEHIND THE CHUTE
EXTENSION TO RIGHT SIDE CHUTE CONNECTION w/ 5" U-BARS

EXTENSION TO CHUTE CONNECTION



ROPING CHUTE LEFT SIDE
(1/2" x 5" U-BAR)



ROPING CHUTE RIGHT SIDE
(1/2" x 5" U-BAR)

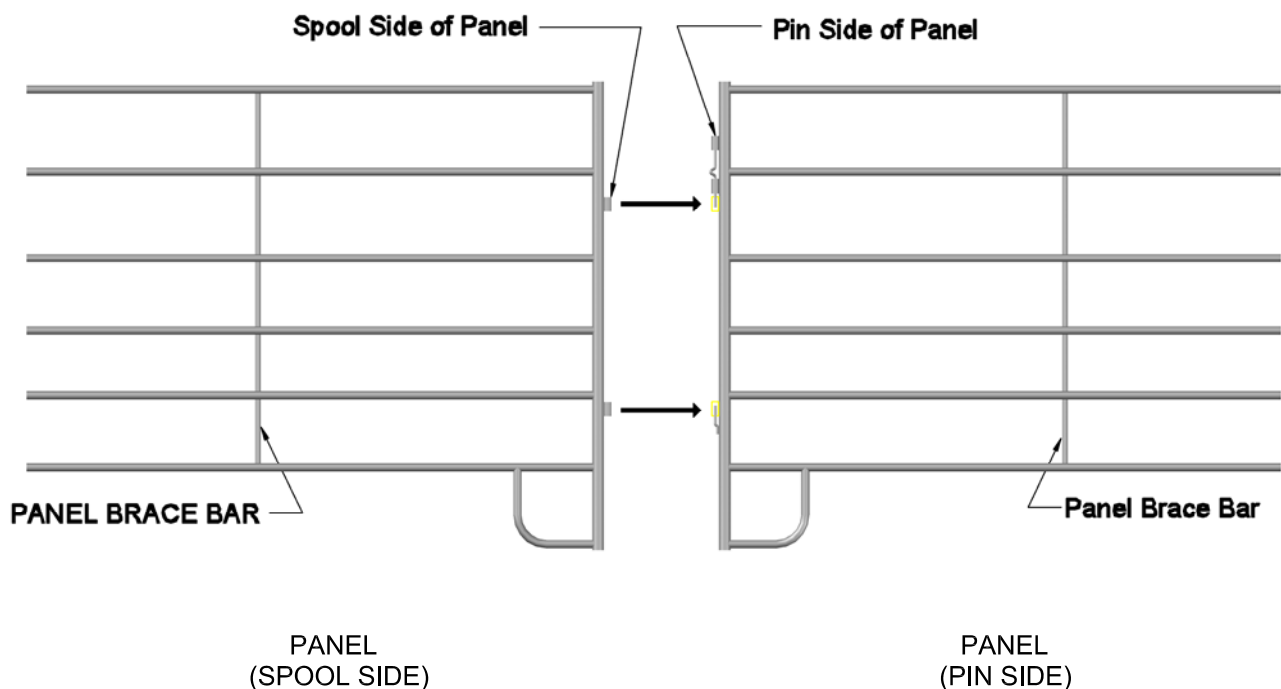
STANDING BEHIND CHUTE
LEFT AND RIGHT EXTENSION TO CHUTE U-BAR CONNECTIONS

PANEL TO PANEL CONNECTION

(SPOOL TO PIN)

SPOOL TO PIN PANEL CONNECTION

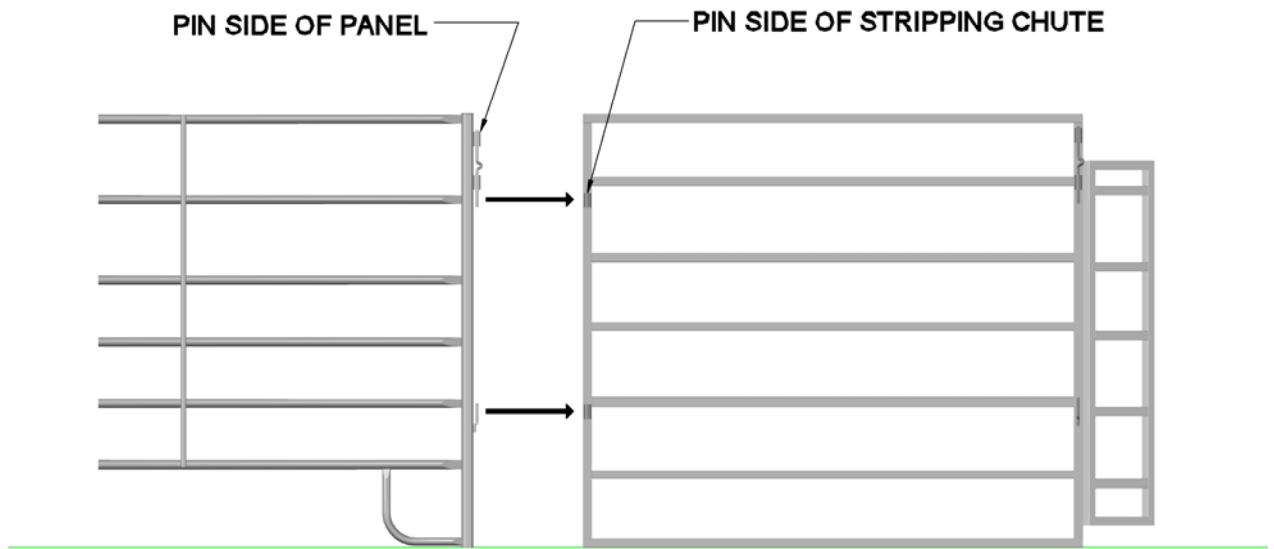
1. SLIGHTLY TILT UNCONNECTED PANEL AND PLACE BOTTOM SPOOL OVER OTHER PANELS BOTTOM PIN.
2. LIFT TOP PIN AND POSITION PANEL SPOOL UNDER PIN SIDE AND RELEASE PIN.
3. PANEL SHOULD NOW BE CONNECTED. YOU CAN ADJUST ONE PANEL 90° FOR BALANCE.



NOTE: WHEN PLACING PANELS - THE PANEL BRACE BAR FACES OUTSIDE OF THE ARENA AREA

SPOOL TO PIN PANEL TO PANEL CONNECTION

PANEL TO STRIPPING CHUTE CONNECTION

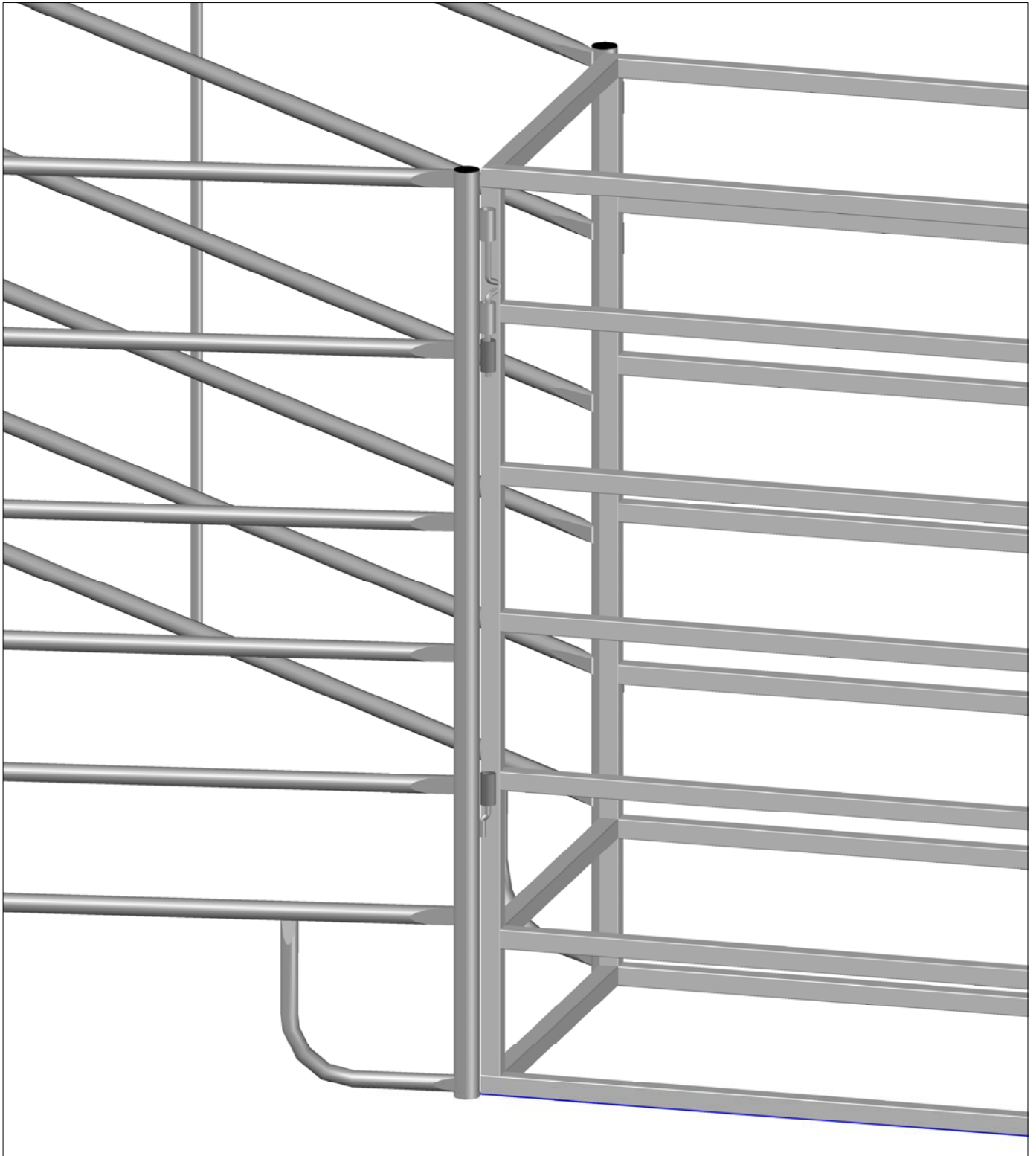


**PANEL
(PIN SIDE)**

STRIPPING CHUTE

PANEL TO STRIPING CHUTE CONNECTION

PANEL TO STRIPPING CHUTE



PANEL TO STRIPPING CHUTE CONNECTIONS