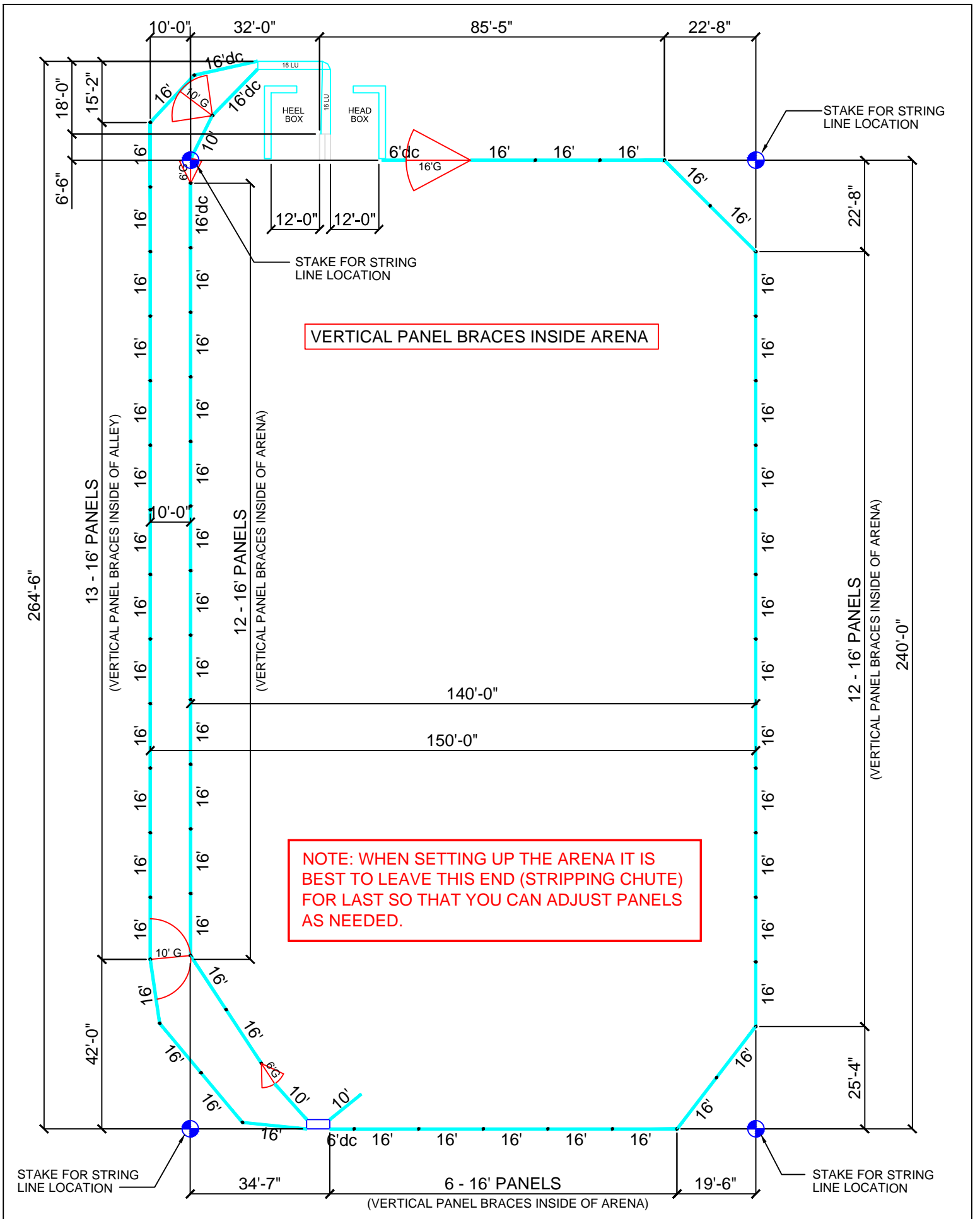


RED RIVER ARENAS.com

“Spend Less, Get More!”

800-343-1026

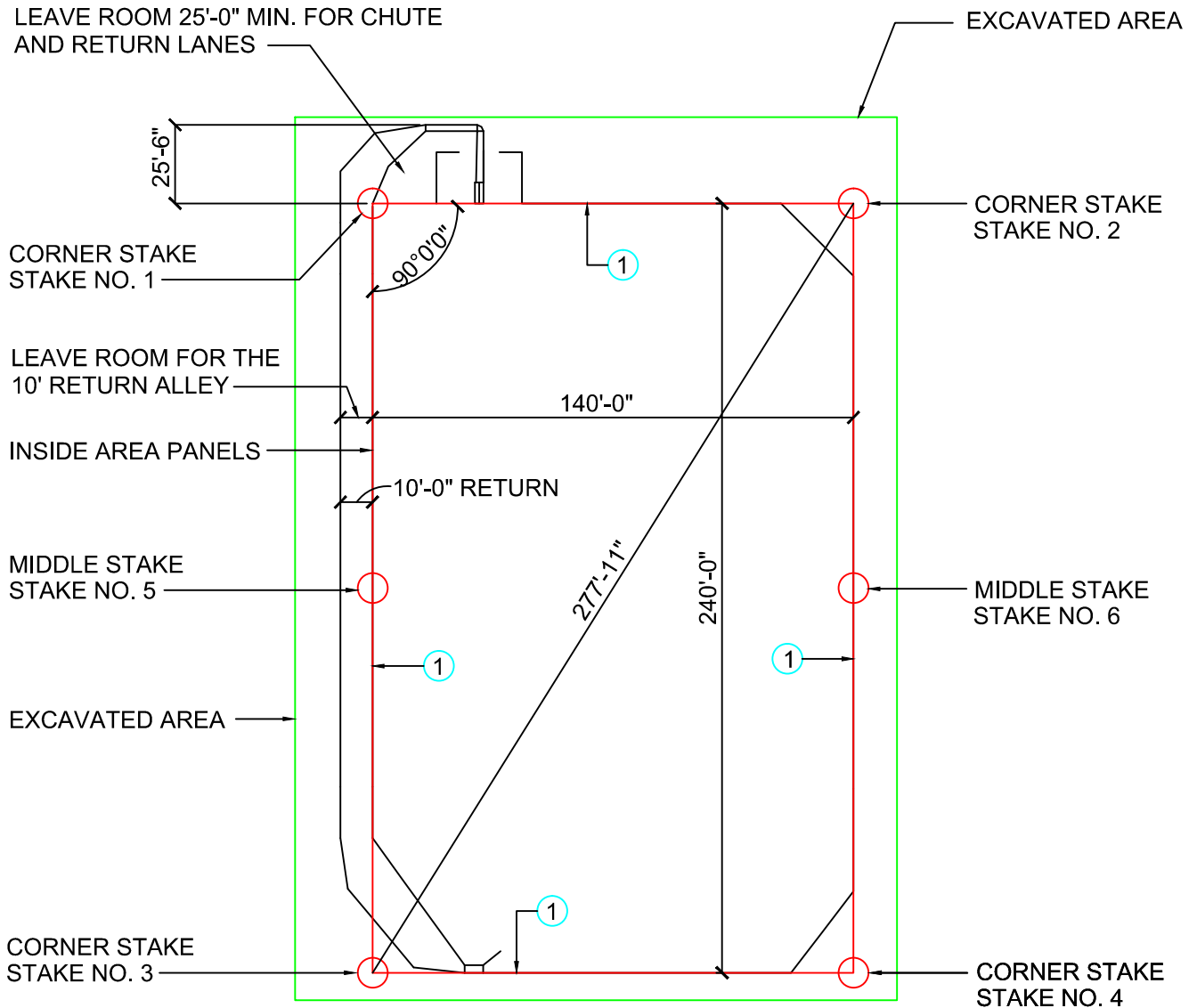


140 X 240 w/ RETURN EXCAVATION AREA

MINIMUM EXCAVATION AREA IS 150'-0" BY 265'-0"

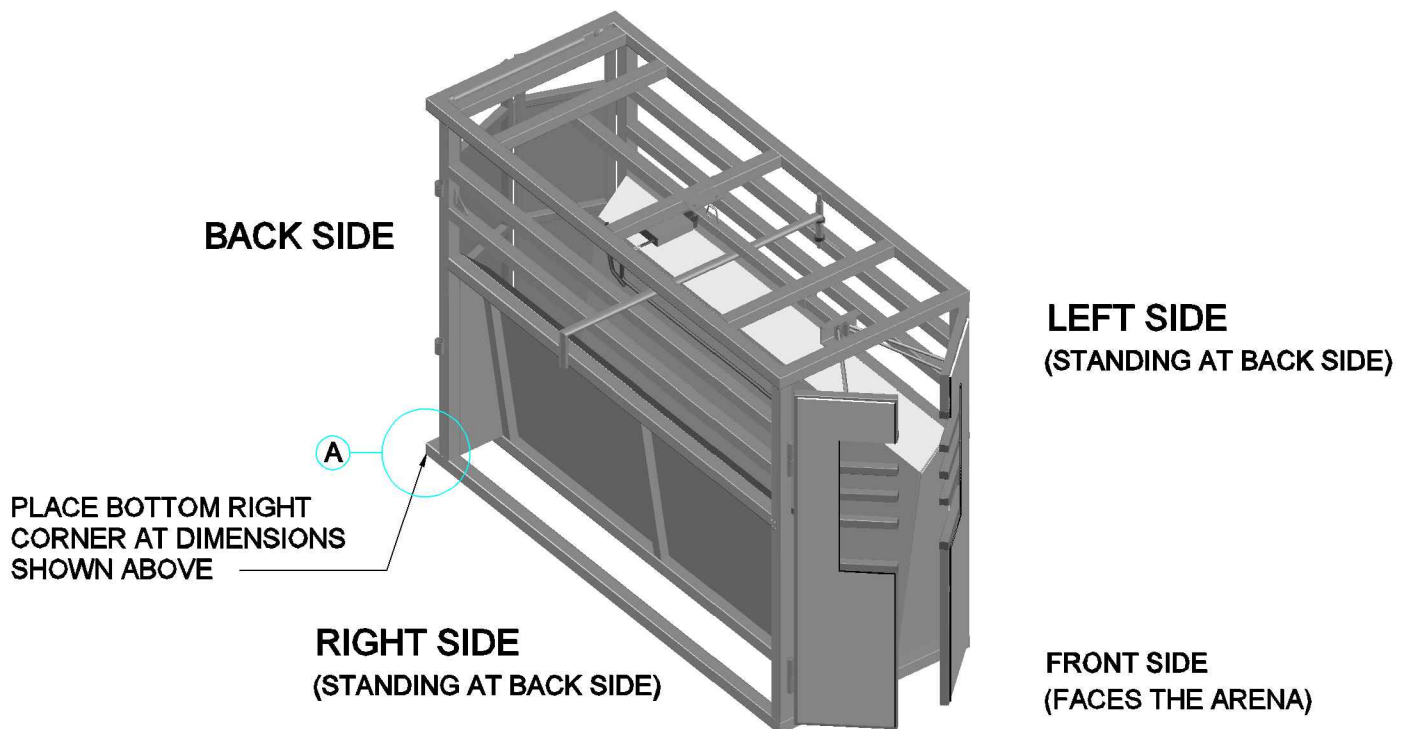
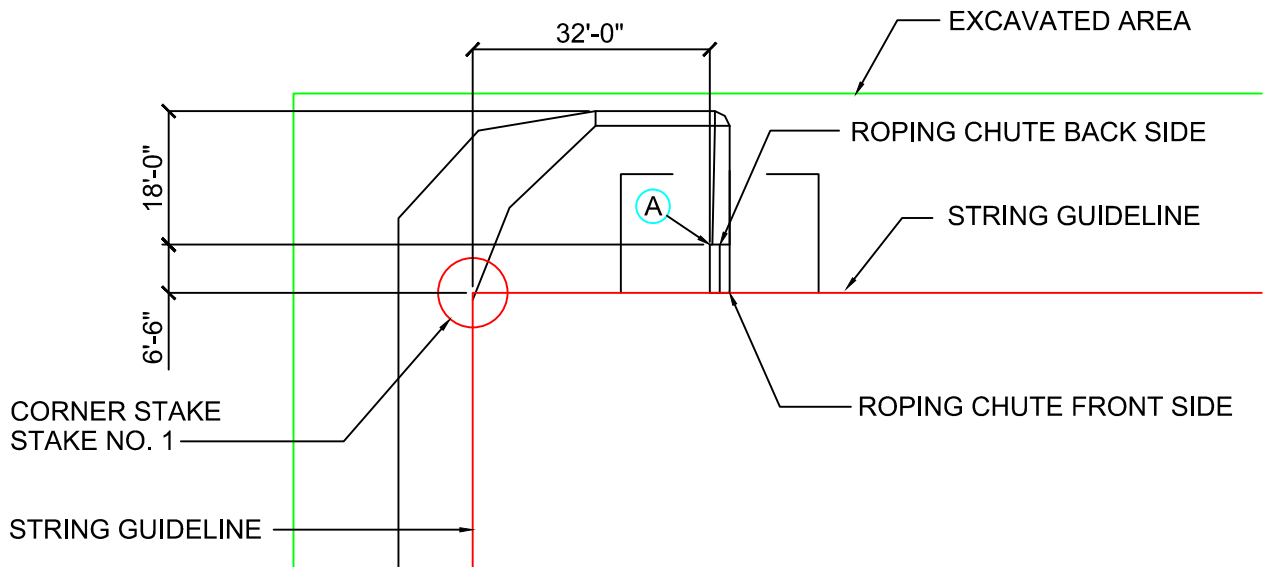
- 1 Start by staking out the Arena Area (140'-0" by 240'-0") to use as a guideline for panels.

NOTE: IF EXCAVATION EXCEEDS THE GIVEN DIMENSIONS OWNER
WILL NEED TO COMPENSATE ACCORDINGLY



140 X 240 w/ RETURN ROPING CHUTE LOCATION

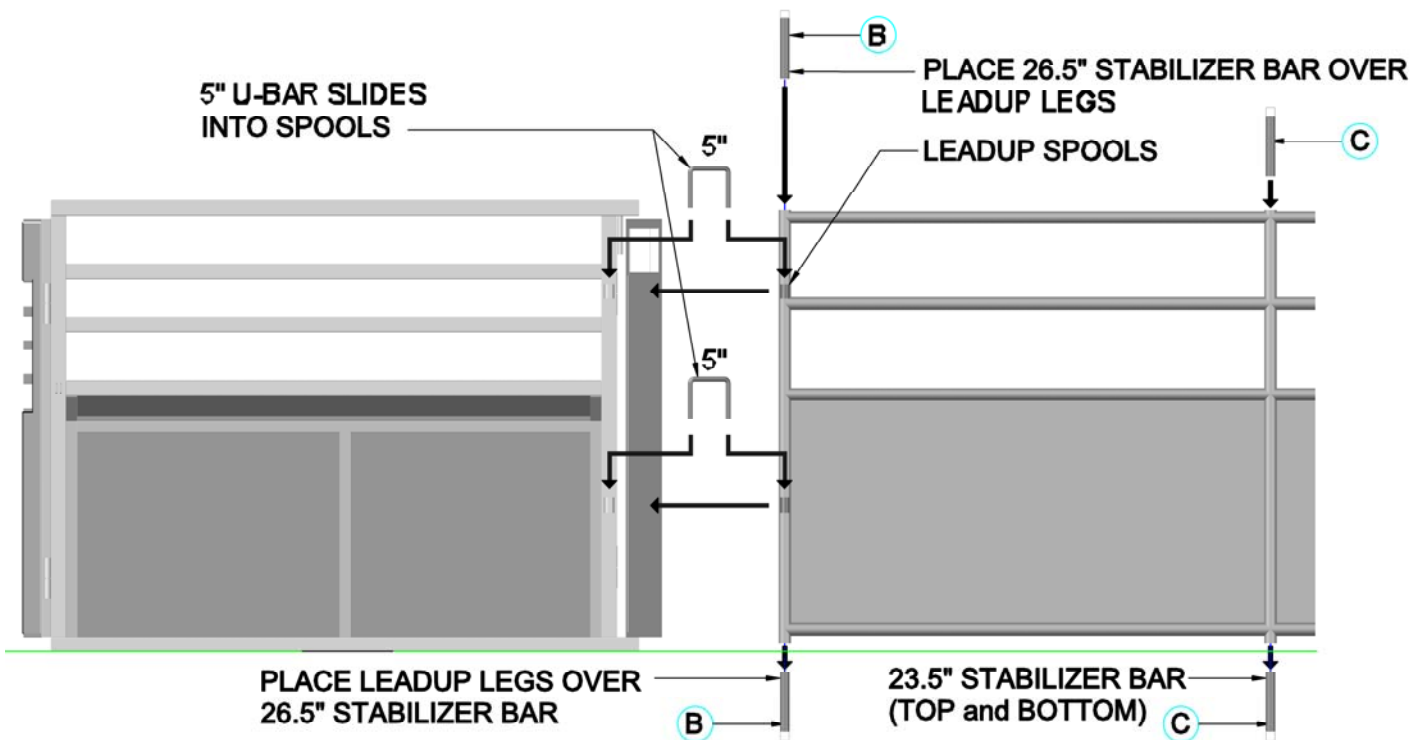
Position the BACK Corner (A) of the Roping Chute at the dimension shown below:



CHUTE TO LEADUP CONNECTION

- 1.) Place 26.5" STABILIZER BAR (B) on ground and place LEADUP Leg over the STABILIZER BAR for support.
- 2.) Place 23.5" STABILIZER BAR (C) on ground and place LEADUP Mid Leg over the STABILIZER BAR for support.
- 3.) Slide 5/8" x 5" U-BARS into CHUTE and LEADUP spools.
- 4.) Place 26.5" STABILIZER BAR (B) over top LEADUP Leg for support.
- 5.) Place 23.5" STABILIZER BAR (C) over top LEADUP Leg for support.

NOTE: ROPING CHUTE LEFT SIDE AND LEADUP PANEL SHOULD LINE UP WITH ONE ANOTHER.



ROPING CHUTE LEFT SIDE

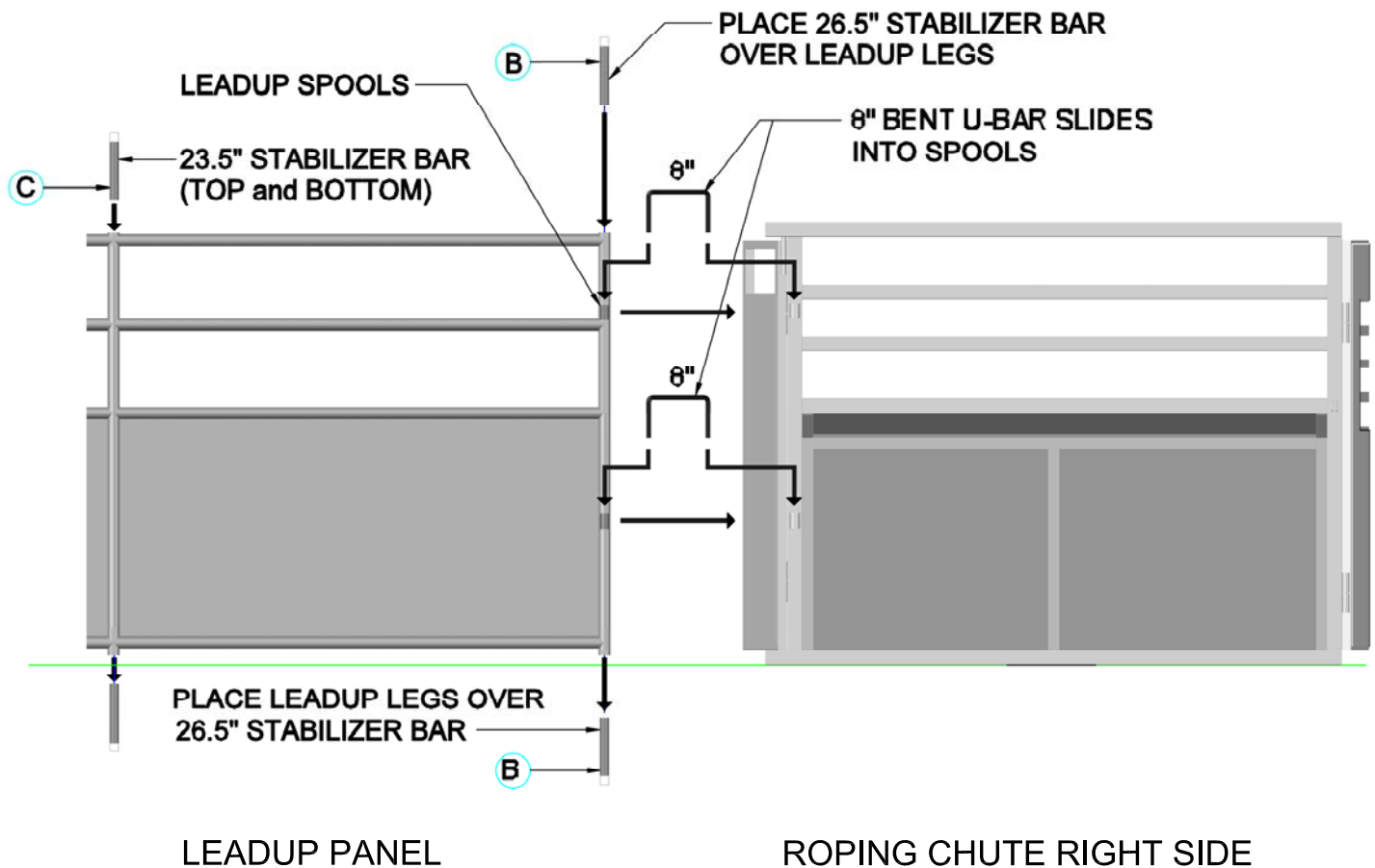
LEADUP PANEL

STANDING AT HEAD SIDE OF THE CHUTE
 LEADUP TO HEAD SIDE CHUTE CONNECTION w/ 5" U-BARS

CHUTE TO LEADUP CONNECTION

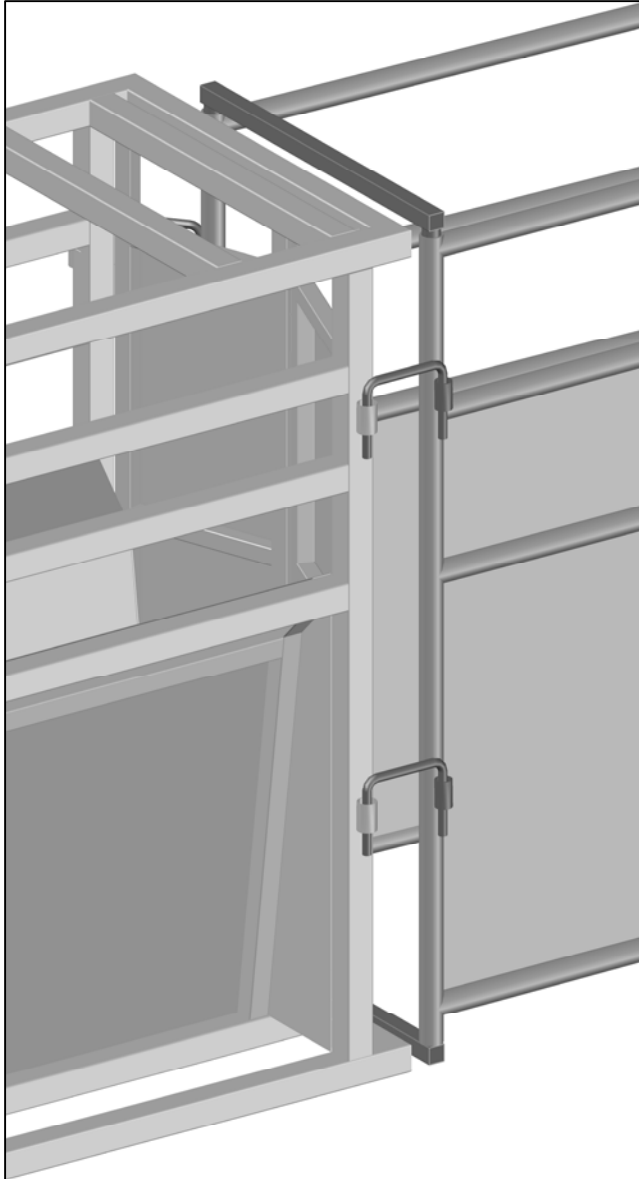
- 1.) Place LEADUP Leg over the STABILIZER (B) BAR for support.
- 2.) Slide 5/8" x 8" BENT U-BARS into CHUTE and LEADUP spools.
- 3.) Place 26.5" STABILIZER BAR (B) over top LEADUP Leg for support.
- 3.) Place 26.5" STABILIZER BAR (C) over top LEADUP Leg for support.

NOTE: ROPING CHUTE LEFT SIDE AND LEADUP PANEL SHOULD LINE UP WITH ONE ANOTHER.



STANDING AT HEEL SIDE OF THE CHUTE
 LEADUP TO HEEL SIDE CHUTE CONNECTION w/ 8" U-BARS

CHUTE TO LEADUP CONNECTION



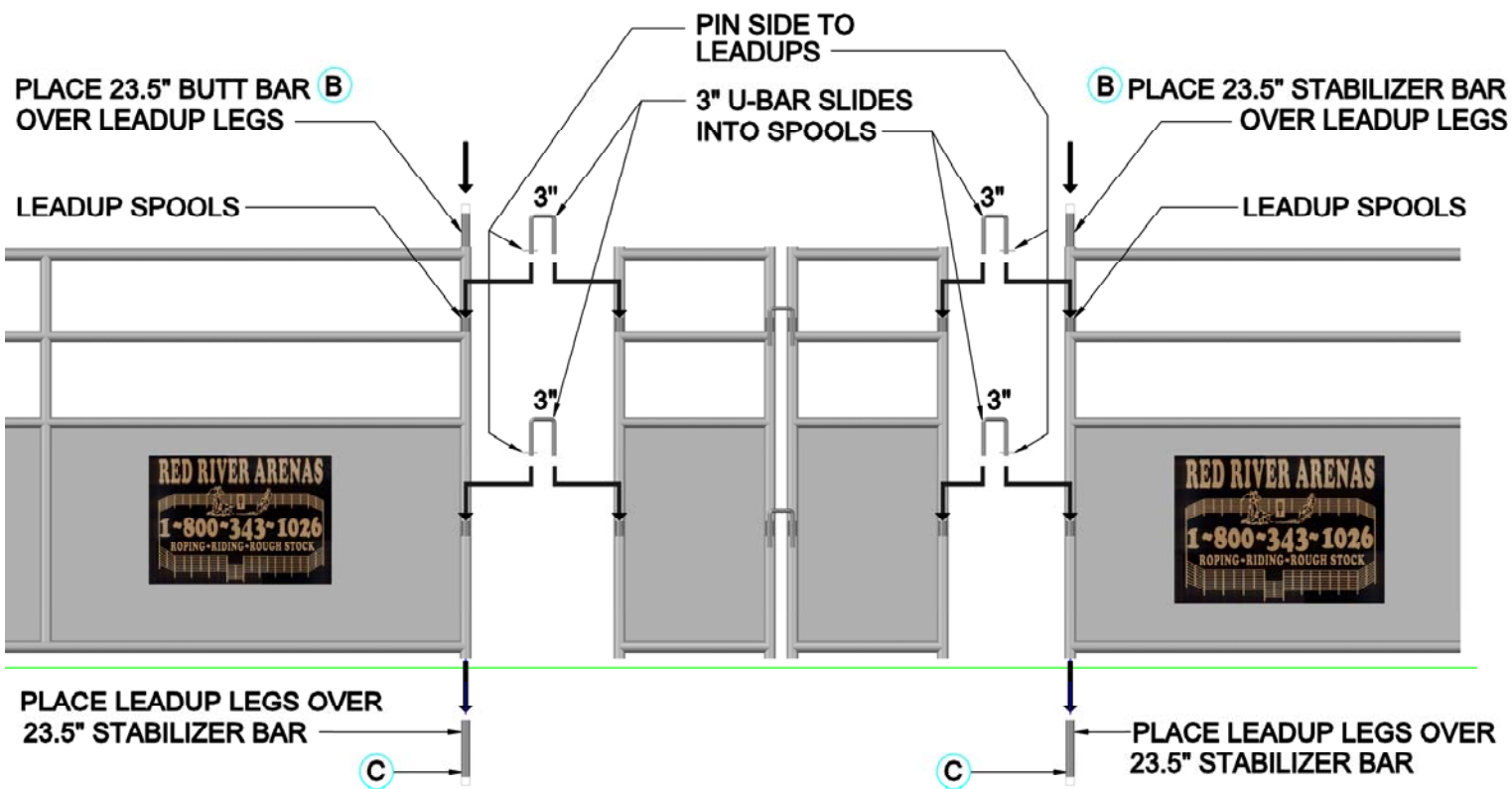
ROPING CHUTE LEFT SIDE
(5/8" x 5" U-BAR)



ROPING CHUTE RIGHT SIDE
(5/8" x 8" BENT U-BAR)

STANDING BEHIND CHUTE
LEFT AND RIGHT CHUTE TO LEADUP U-BAR CONNECTIONS

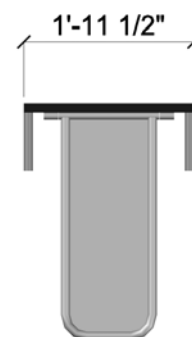
LEADUP TO 2' FT LEADUP CONNECTION (ROPING CHUTE LEFT SIDE)



LEADUP PANEL

2 FT. LEADUP

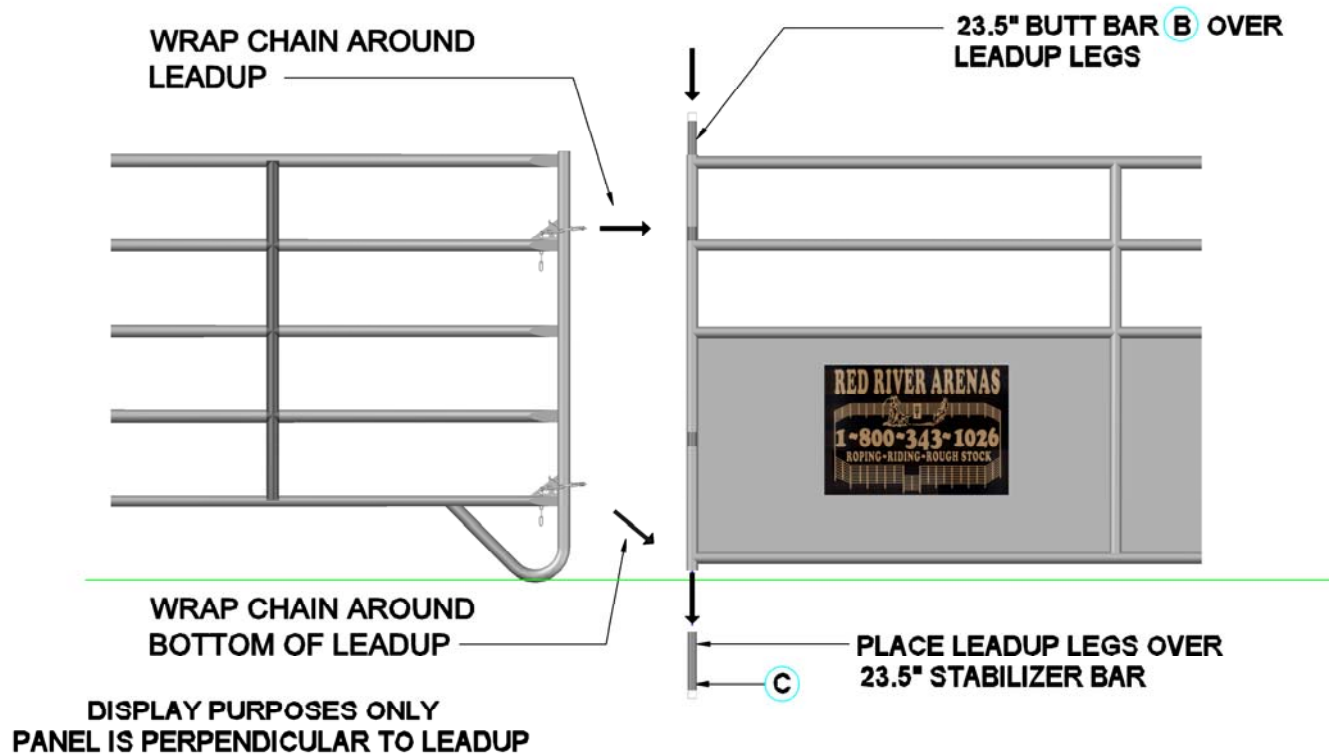
STANDING BEHIND CHUTE
LEFT SIDE LEADUP TO 2' FT. LEADUP CONNECTION



23.5" BUTT BAR

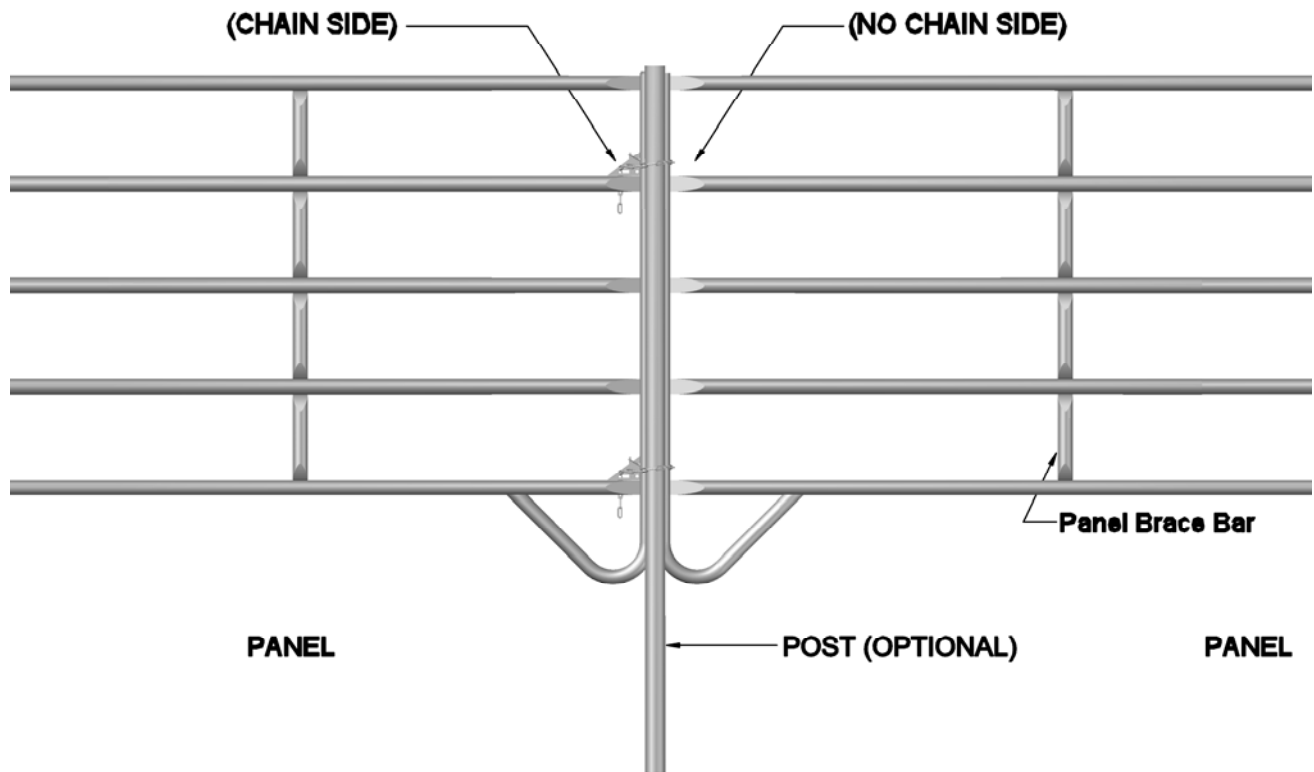


LEADUP TO PANEL CONNECTION (ROPING CHUTE RIGHT SIDE)



STANDING BEHIND CHUTE
RIGHT SIDE LEADUP TO PANEL CONNECTION

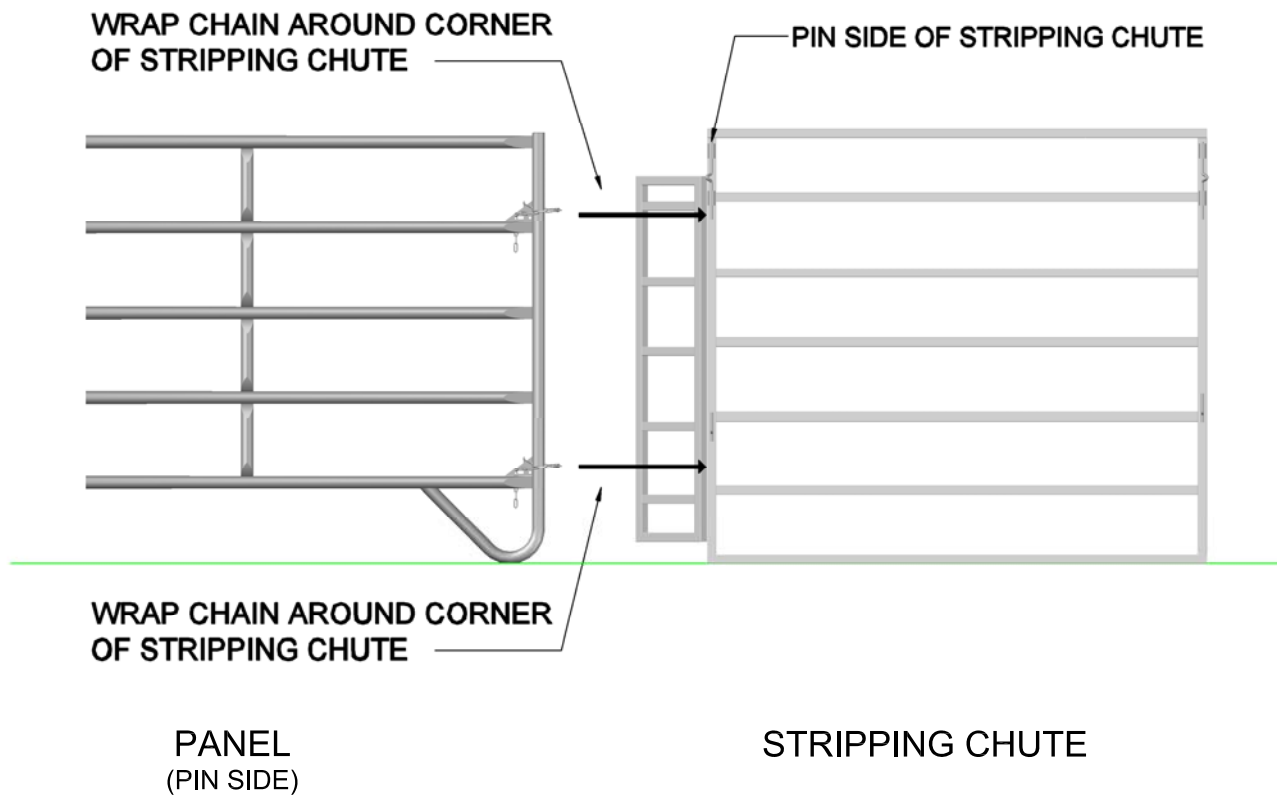
PANEL TO PANEL CONNECTION



NOTE: WHEN PLACING PANELS - THE PANEL BRACE BAR FACES INSIDE OF THE ARENA AREA AND POST ARE OUTSIDE OF ARENA

PANEL TO PANEL CONNECTION

PANEL TO STRIPPING CHUTE CONNECTION w/ POST S1



PANEL TO STRIPING CHUTE CONNECTION w/ POST S1