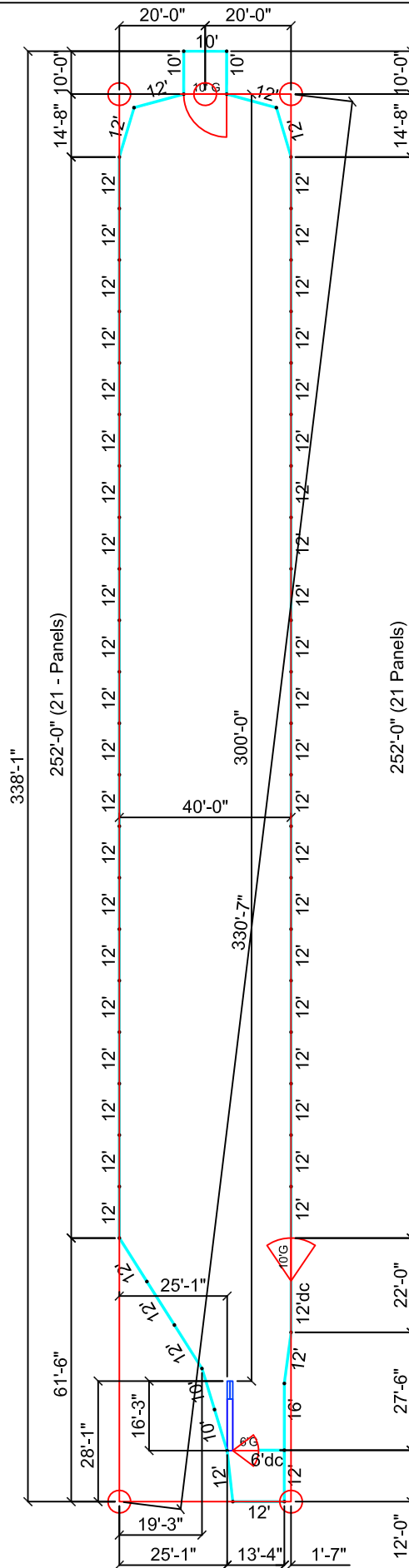


***RED RIVER ARENAS.com***

***“Spend Less, Get More!”***

***800-343-1026***



This drawing is the property of RedRiverArenas.com. RedRiverArenas does not authorize the reproduction or conveyance of any information contained herein without prior written permission.

### 40' x 300' w/o RETURN

REDRIVERARENAS.COM

PHONE : 1-325-625-1900

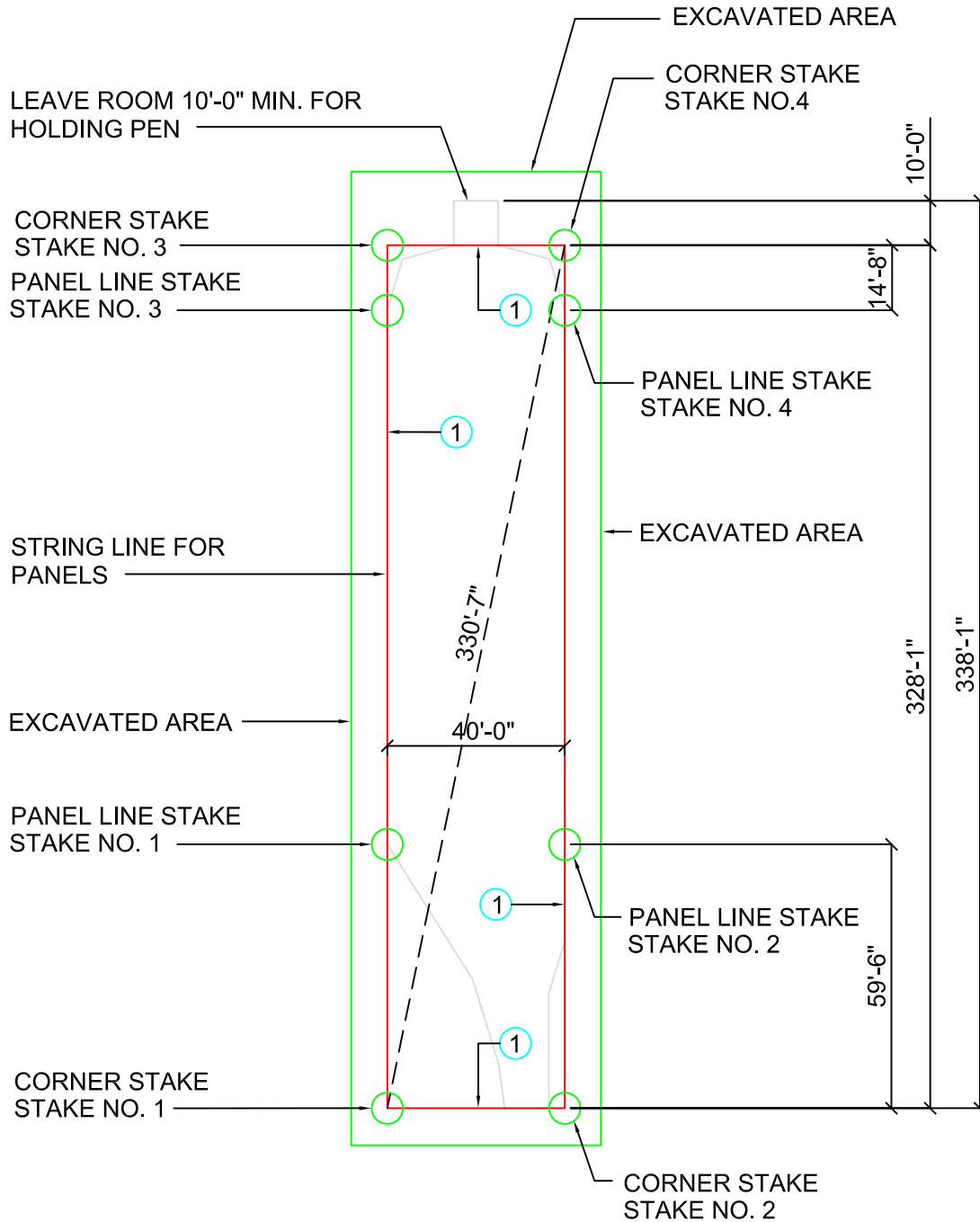
TUBE-S12-12-WC

# 40' x 300' w/o RETURN EXCAVATION AREA

MINIMUM EXCAVATION AREA IS 40'-0" BY 336'-1"

- 1 Start by staking out the Arena Area (40'-0" by 326'-1") to use as a guideline for panels.

NOTE: IF EXCAVATION EXCEEDS THE GIVEN DIMENSIONS OWNER  
WILL NEED TO COMPENSATE ACCORDINGLY



This drawing is the property of RedRiverArenas.com  
RedRiverArenas does not authorize the reproduction or  
conveyance of any information contained herein  
without prior written permission.

## EXCAVATION AREA

REDRIVERARENAS.COM

PHONE : 1-325-625-1900

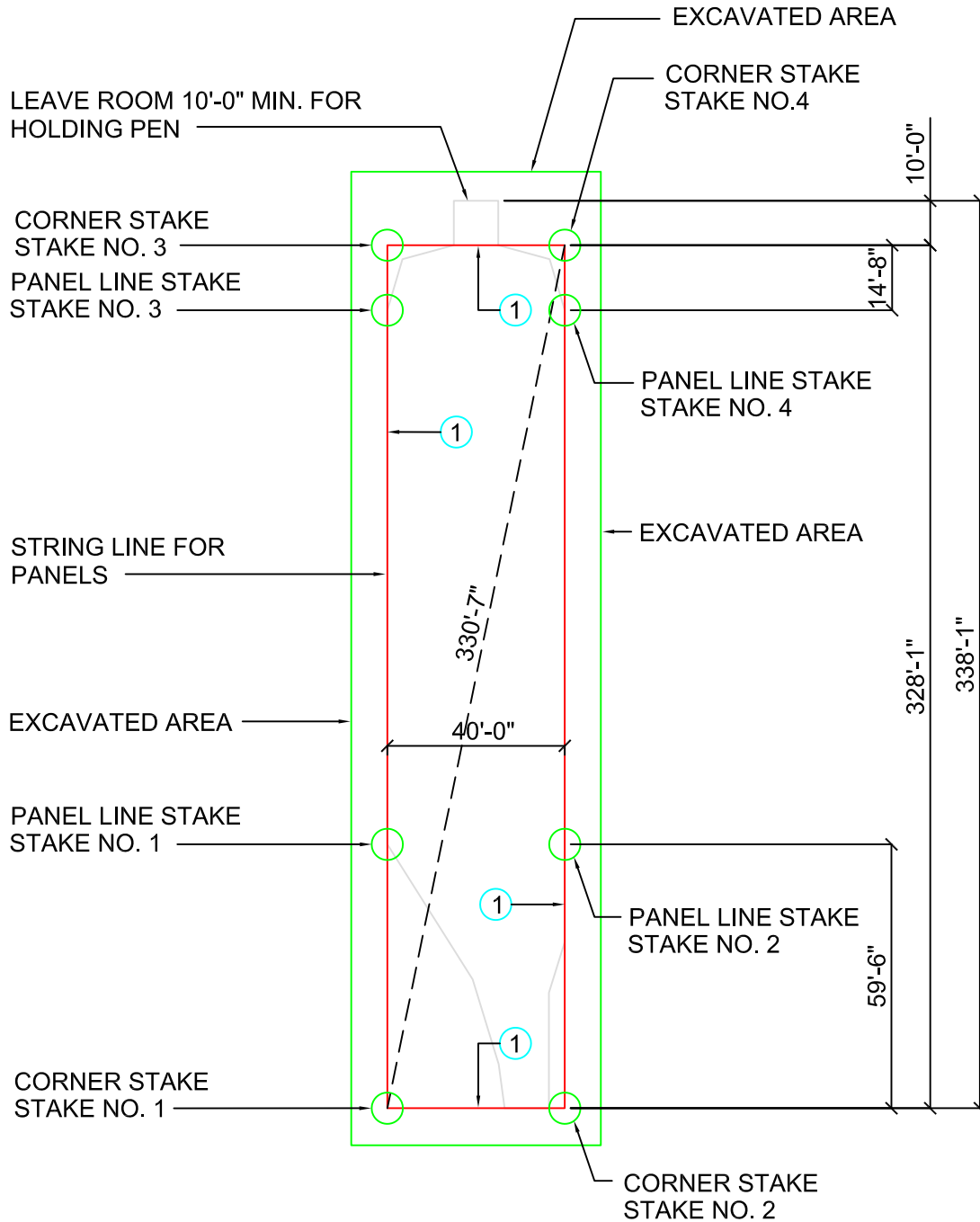
TUBE-S12-12-WC

# 40' x 300' w/o RETURN EXCAVATION AREA

MINIMUM EXCAVATION AREA IS 40'-0" BY 336'-1"

- 1 Start by staking out the Arena Area (40'-0" by 326'-1") to use as a guideline for panels.

NOTE: IF EXCAVATION EXCEEDS THE GIVEN DIMENSIONS OWNER  
WILL NEED TO COMPENSATE ACCORDINGLY



This drawing is the property of RedRiverArenas.com. RedRiverArenas does not authorize the reproduction or conveyance of any information contained herein without prior written permission.

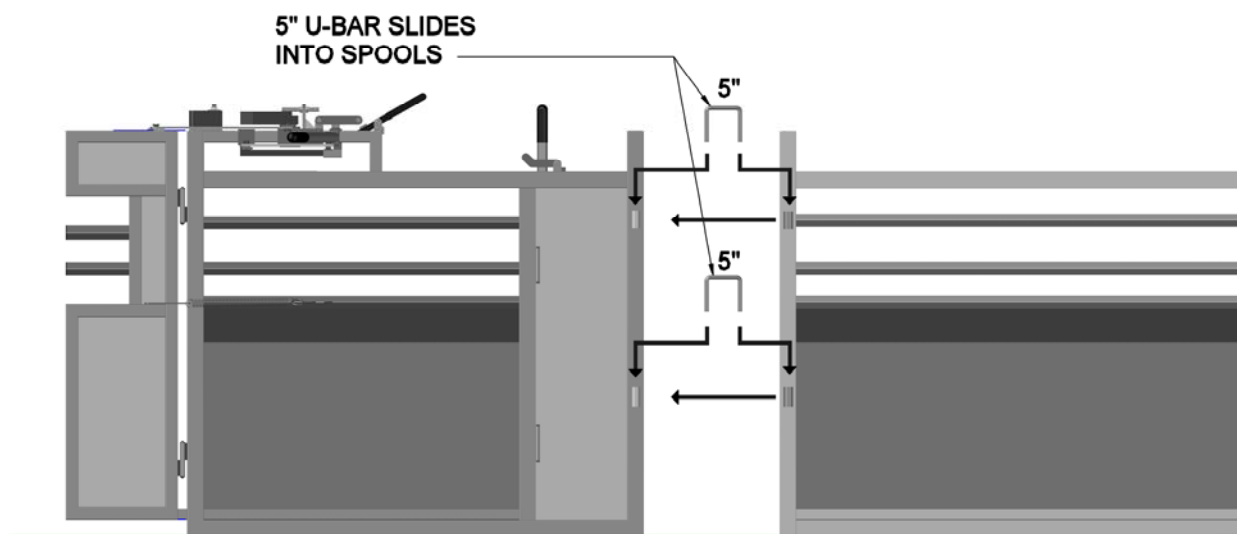
## EXCAVATION AREA

REDRIVERARENAS.COM

PHONE : 1-325-625-1900

TUBE-S12-12-WC

# EXTENSION TO CHUTE CONNECTION

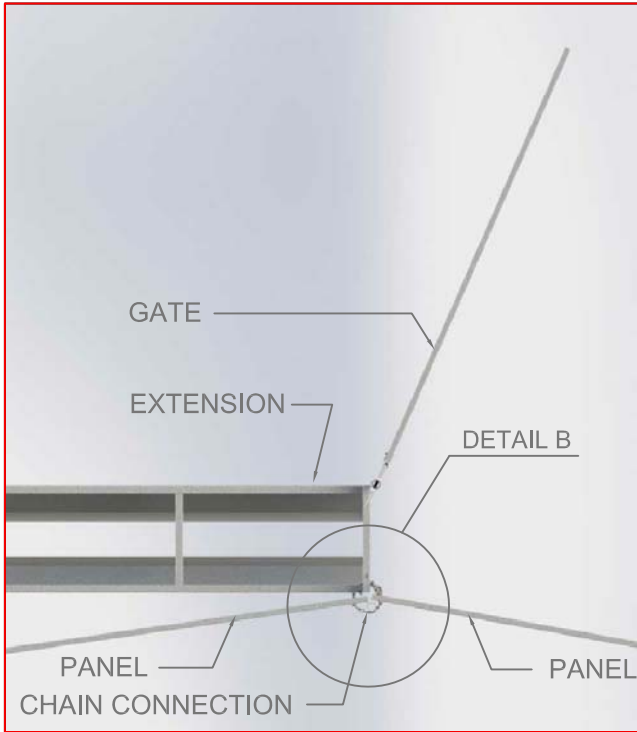


ROPING CHUTE LEFT SIDE

CALF EXTENSION

STANDING BEHIND THE CHUTE  
EXTENSION TO LEFT SIDE CHUTE CONNECTION

# PANELS TO EXTENSION



**EXTENSION LEFT SIDE  
3-WAY CONNECTION**



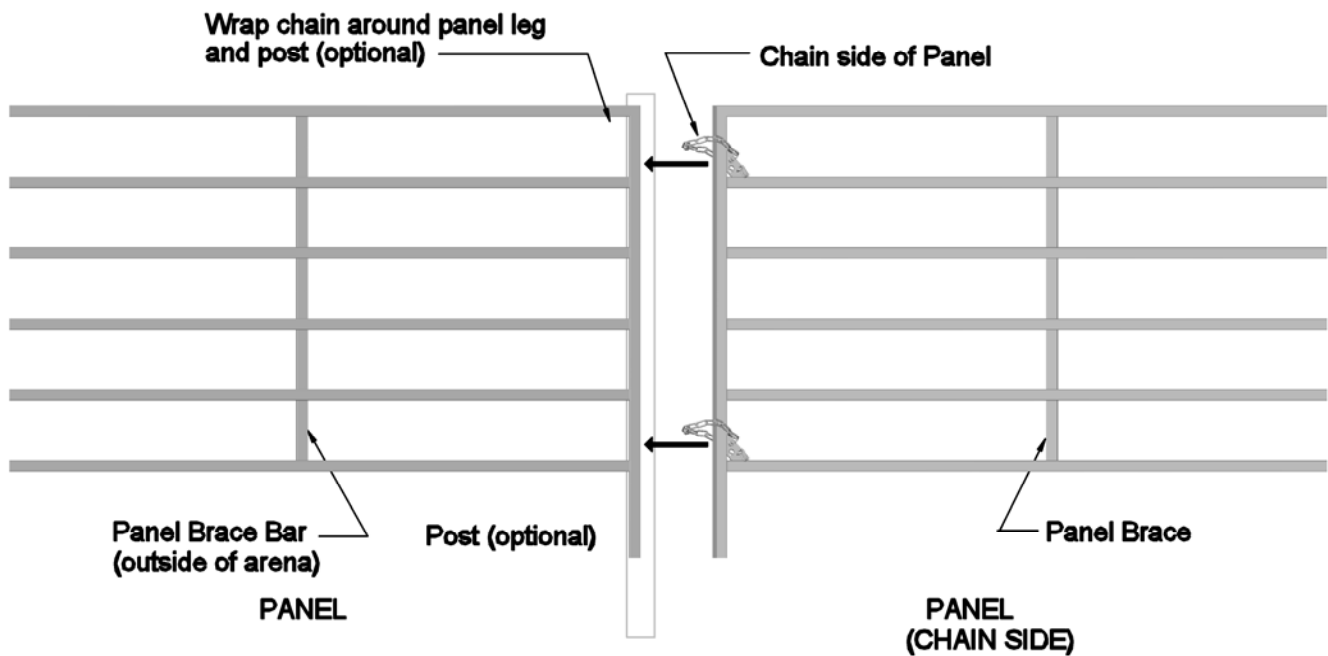
**DETAIL B**

# PANEL TO PANEL CONNECTION

## (CHAIN CONNECTION)

### PANEL CHAIN CONNECTION

1. USING THE MARK(S) YOU MAKE WITH THE STRING. ALIGN AND CONNECT ONE PANEL AT A TIME.
2. WRAP CHAIN AROUND PANEL LEG AND ATTACH TO CHAIN KEEPER.
3. PANL SHOULD NOW BE CONNECTED. YOU CAN ADJUST ONE PANEL 90° FOR BALANCE.



## PANEL TO PANEL CONNECTION WITH CHAINS

This drawing is the property of RedRiverArenas.com  
RedRiverArenas does not authorize the reproduction or  
conveyance of any information contained herein  
without prior written permission.

PANEL TO PANEL

REDRIVERARENAS.COM

PHONE : 1-325-625-1900

TUBE-S12-12-WC