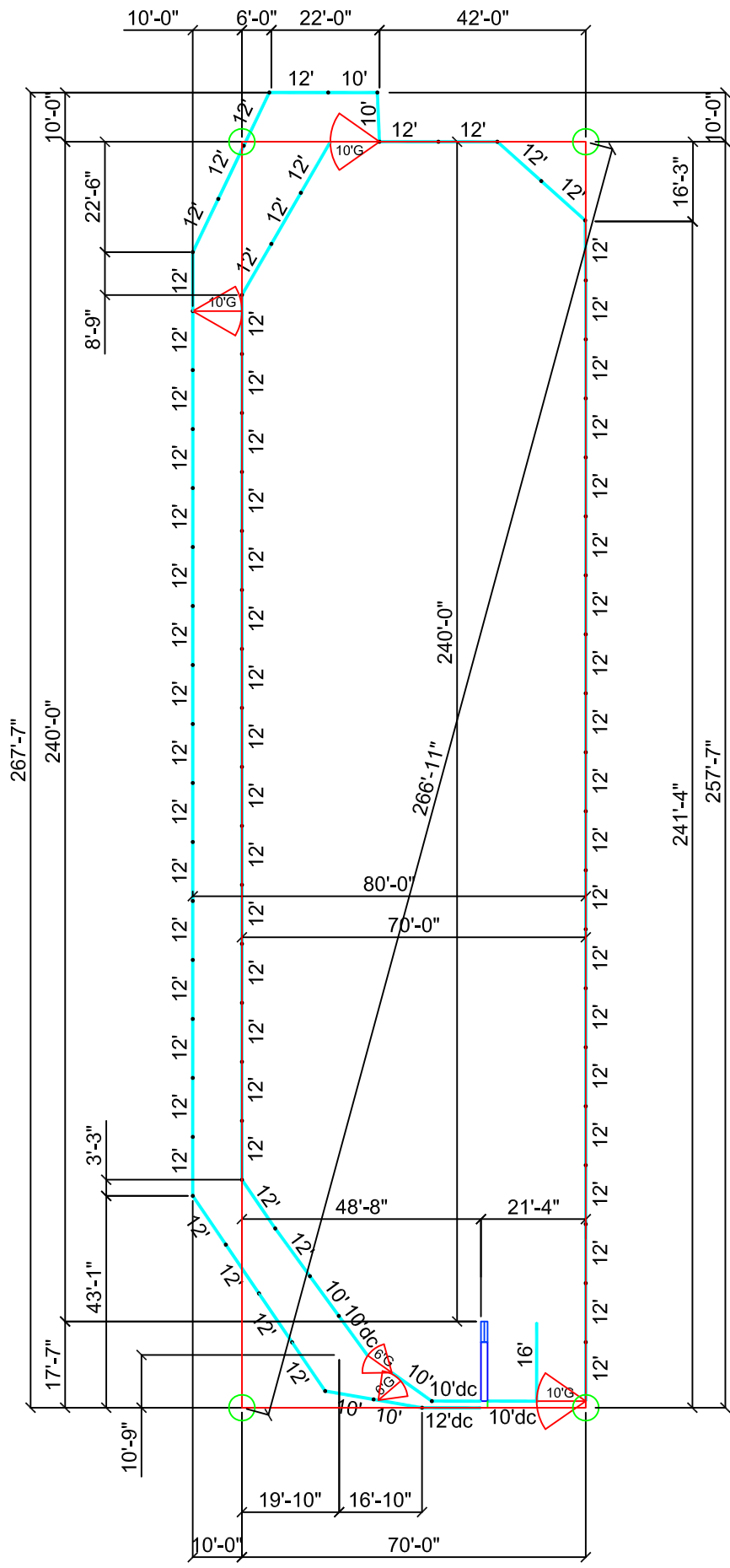


RED RIVER ARENAS.com

“Spend Less, Get More!”

800-343-1026



This drawing is the property of RedRiverArenas.com
 RedRiverArenas does not authorize the reproduction or
 conveyance of any information contained herein
 without prior written permission.

DIMENSIONS

REDRIVERARENAS.COM

PHONE : 1-325-625-1900

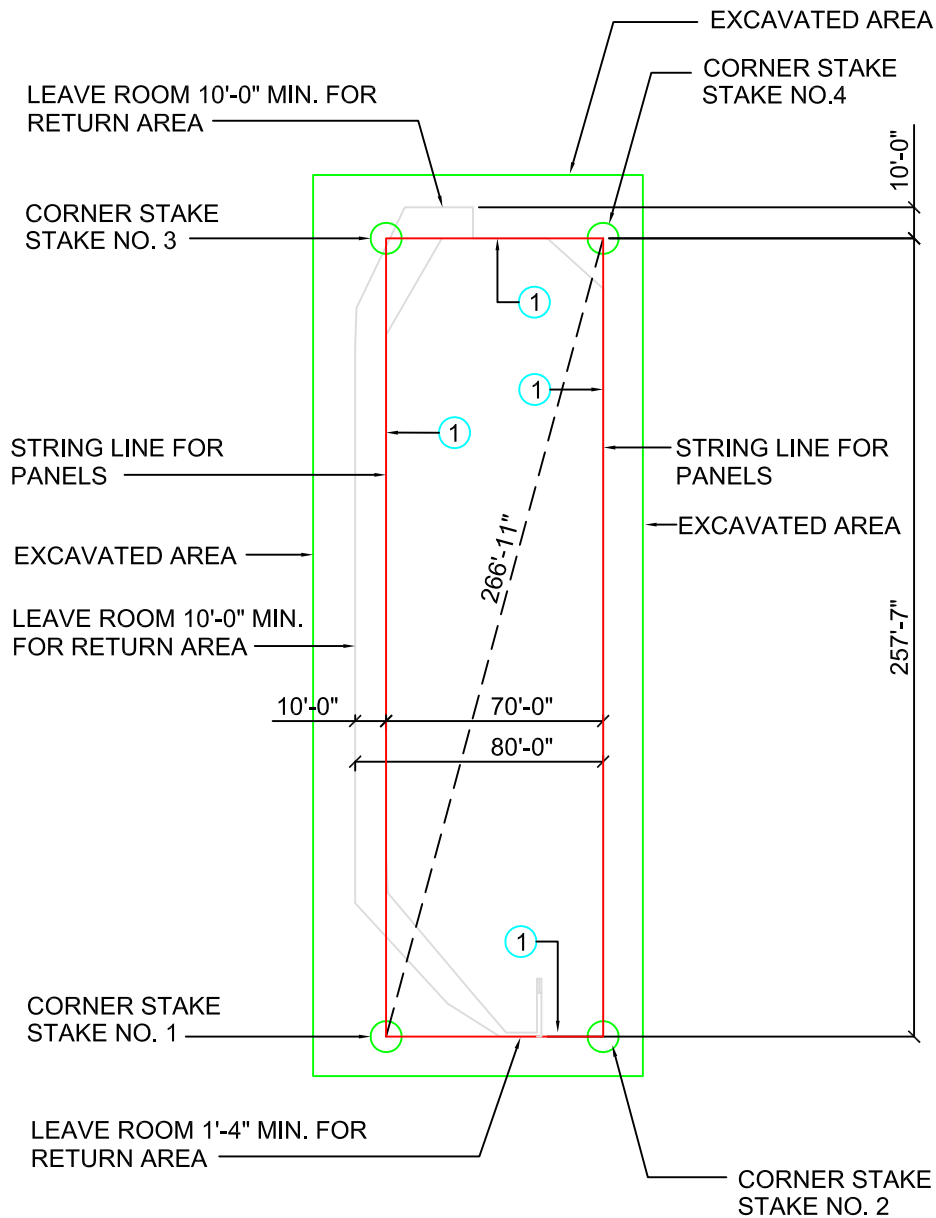
TUBE-S12-13-WC

70' x 240' w/ RETURN EXCAVATION AREA

MINIMUM EXCAVATION AREA IS 80'-0" BY 267'-7"

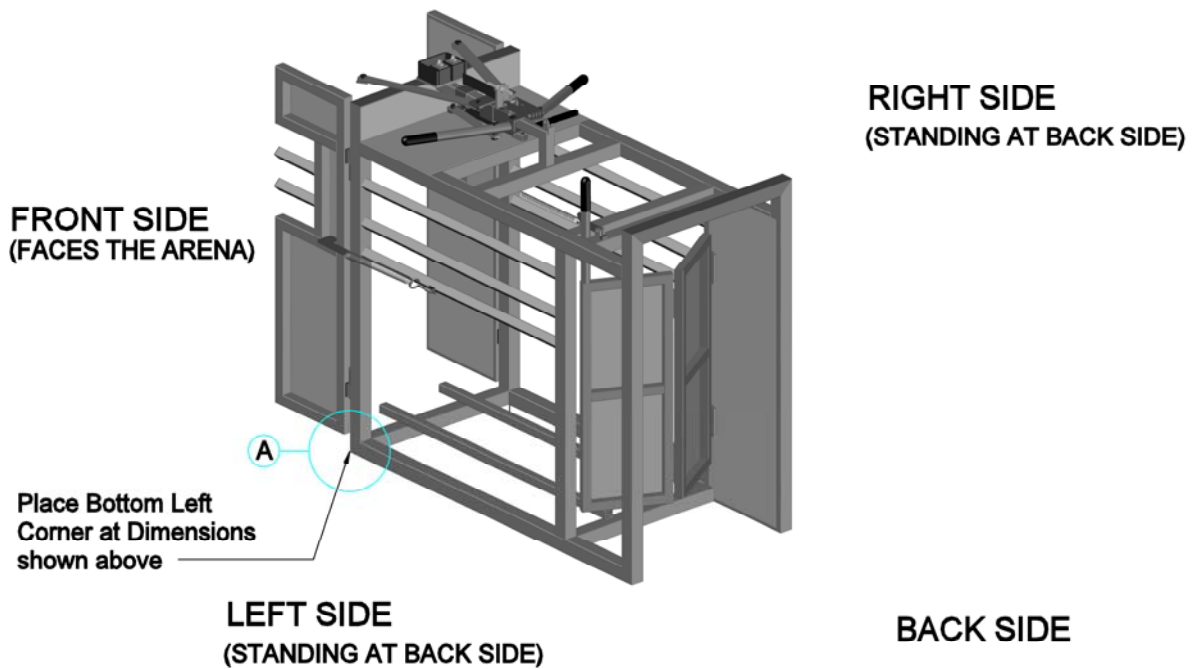
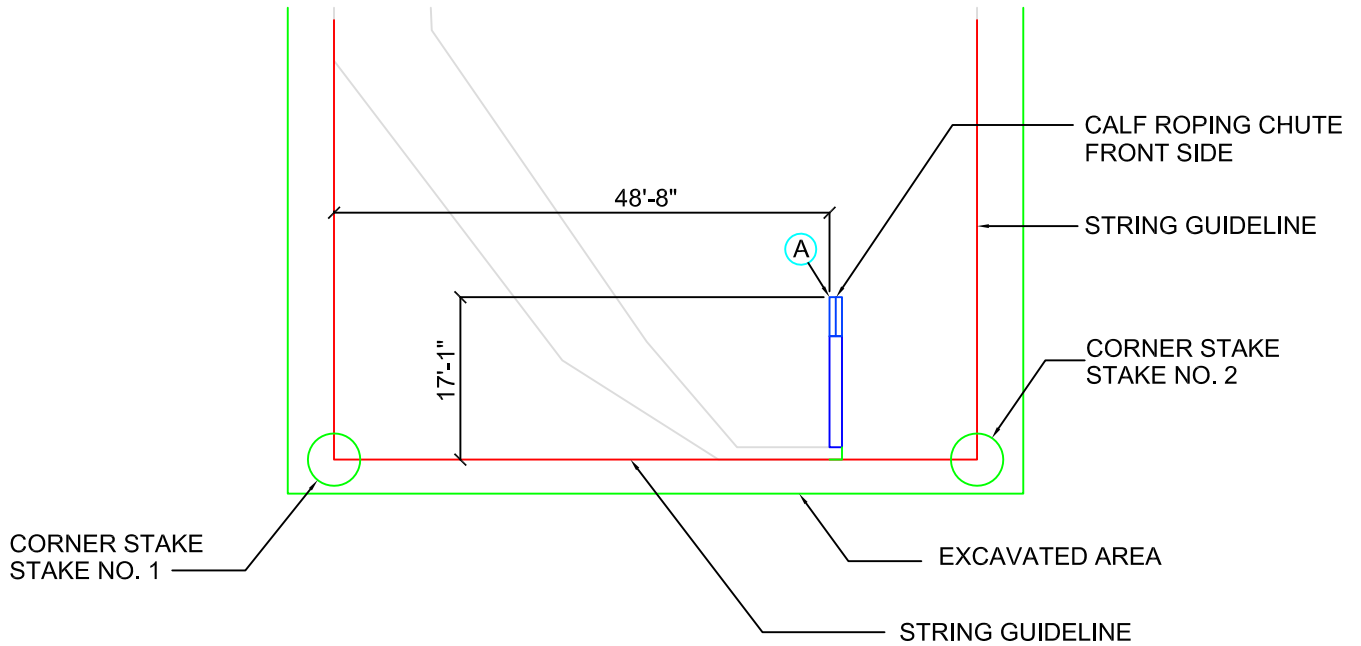
- 1 Start by staking out the Arena Area (70'-0" by 257'-7") to use as a guideline for panels.

NOTE: IF EXCAVATION EXCEEDS THE GIVEN DIMENSIONS OWNER WILL NEED TO COMPENSATE ACCORDINGLY



70' x 240' w/ RETURN CALF ROPING CHUTE LOCATION

② Position the FRONT Corner (A) of the Chute at the dimension shown below:



This drawing is the property of RedRiverArenas.com
RedRiverArenas does not authorize the reproduction or
conveyance of any information contained herein
without prior written permission.

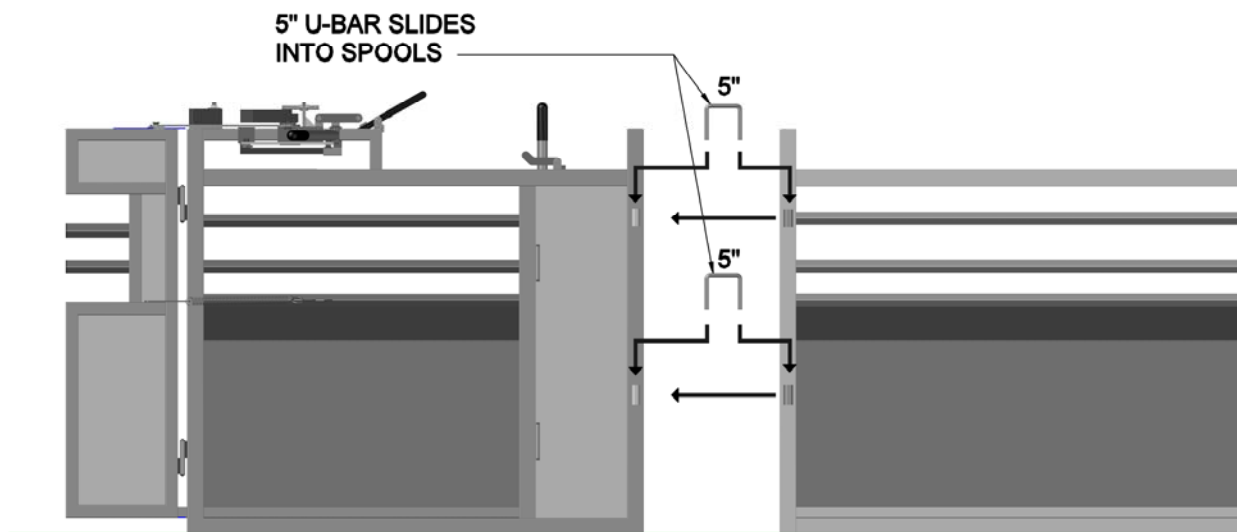
CHUTE LOCATION

REDRIVERARENAS.COM

PHONE : 1-325-625-1900

TUBE-S12-13-WC

EXTENSION TO CHUTE CONNECTION



ROPING CHUTE LEFT SIDE

CALF EXTENSION

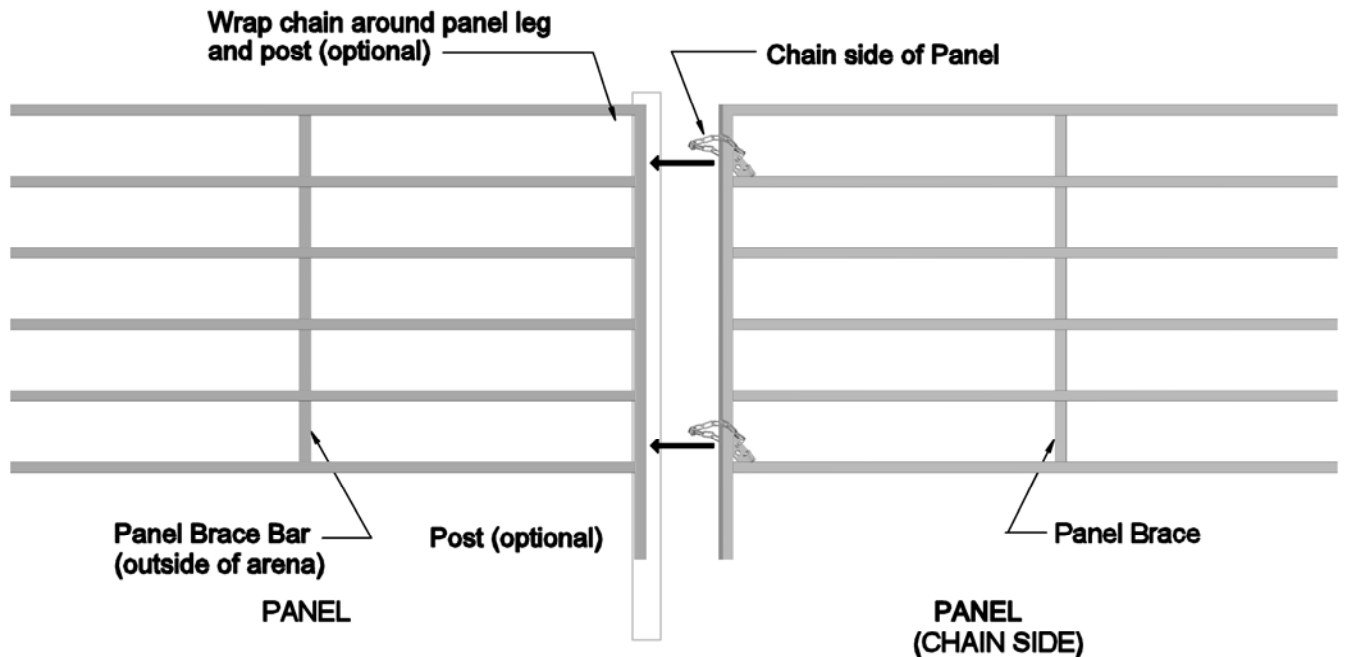
STANDING BEHIND THE CHUTE
EXTENSION TO LEFT SIDE CHUTE CONNECTION

PANEL TO PANEL CONNECTION

(CHAIN CONNECTION)

PANEL CHAIN CONNECTION

1. USING THE MARK(S) YOU MAKE WITH THE STRING. ALIGN AND CONNECT ONE PANEL AT A TIME.
2. WRAP CHAIN AROUND PANEL LEG AND ATTACH TO CHAIN KEEPER.
3. PANL SHOULD NOW BE CONNECTED. YOU CAN ADJUST ONE PANEL 90° FOR BALANCE.



PANEL TO PANEL CONNECTION WITH CHAINS