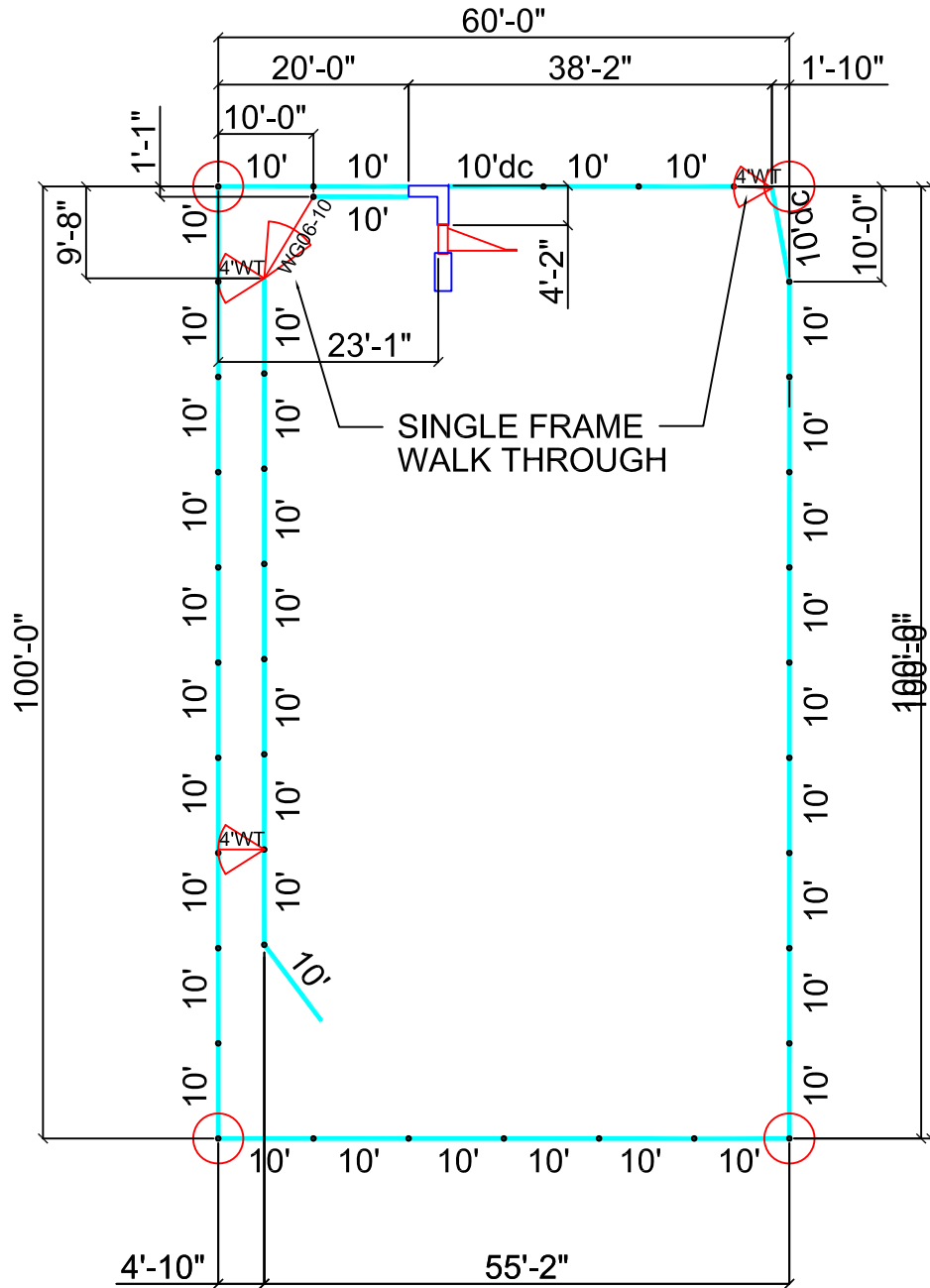




RED RIVER ARENAS.com

“Spend Less, Get More!”

800-343-1026



56'x100' w/ RETURN DIMENSIONS

This drawing is the property of RedRiverArenas.com
 RedRiverArenas does not authorize the reproduction or
 conveyance of any information contained herein
 without prior written permission.

DIMENSIONS

REDRIVERARENAS.COM

PHONE : 1-325-625-1900

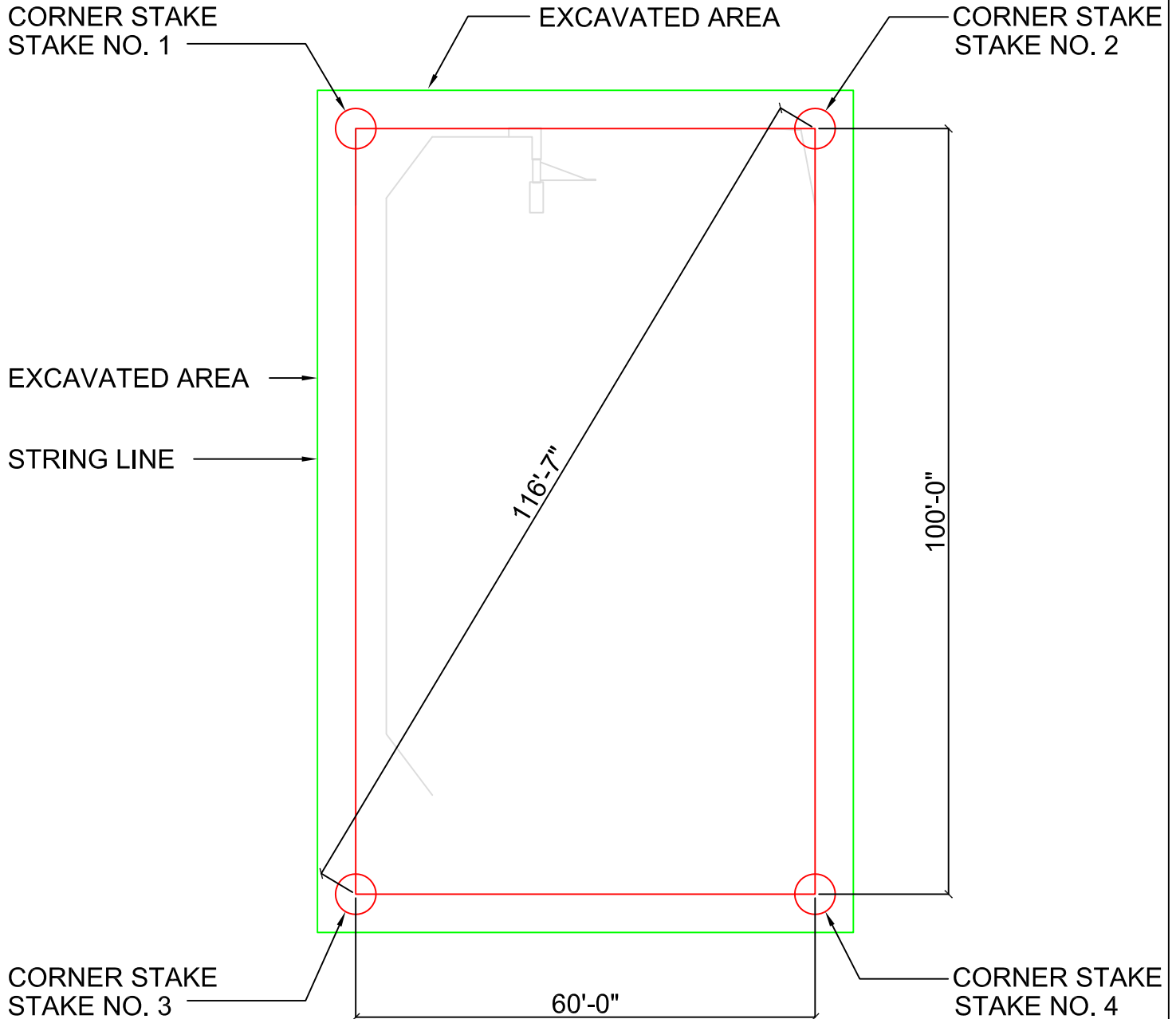
GRA-01A

56'x100' w/ RETURN EXCAVATION AREA

MINIMUM EXCAVATION AREA IS 60'-0" x 100'-0"

- 1 Start by staking out the Arena Area (60'-0" by 100'-0") to use as a guideline for panels.

NOTE: IF EXCAVATION EXCEEDS THE GIVEN DIMENSIONS OWNER WILL NEED TO COMPENSATE ACCORDINGLY



This drawing is the property of RedRiverArenas.com
RedRiverArenas does not authorize the reproduction or
conveyance of any information contained herein
without prior written permission.

EXCAVATION

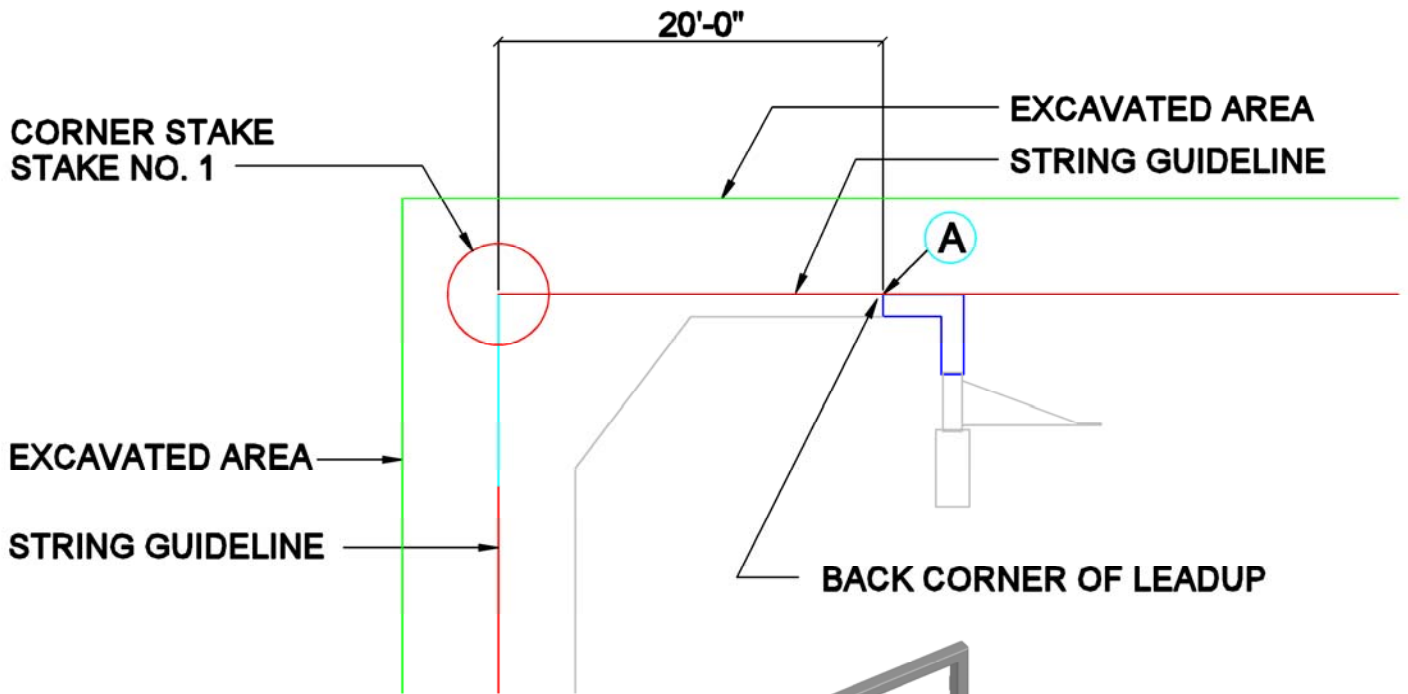
REDRIVERARENAS.COM

PHONE : 1-325-625-1900

GRA-01B

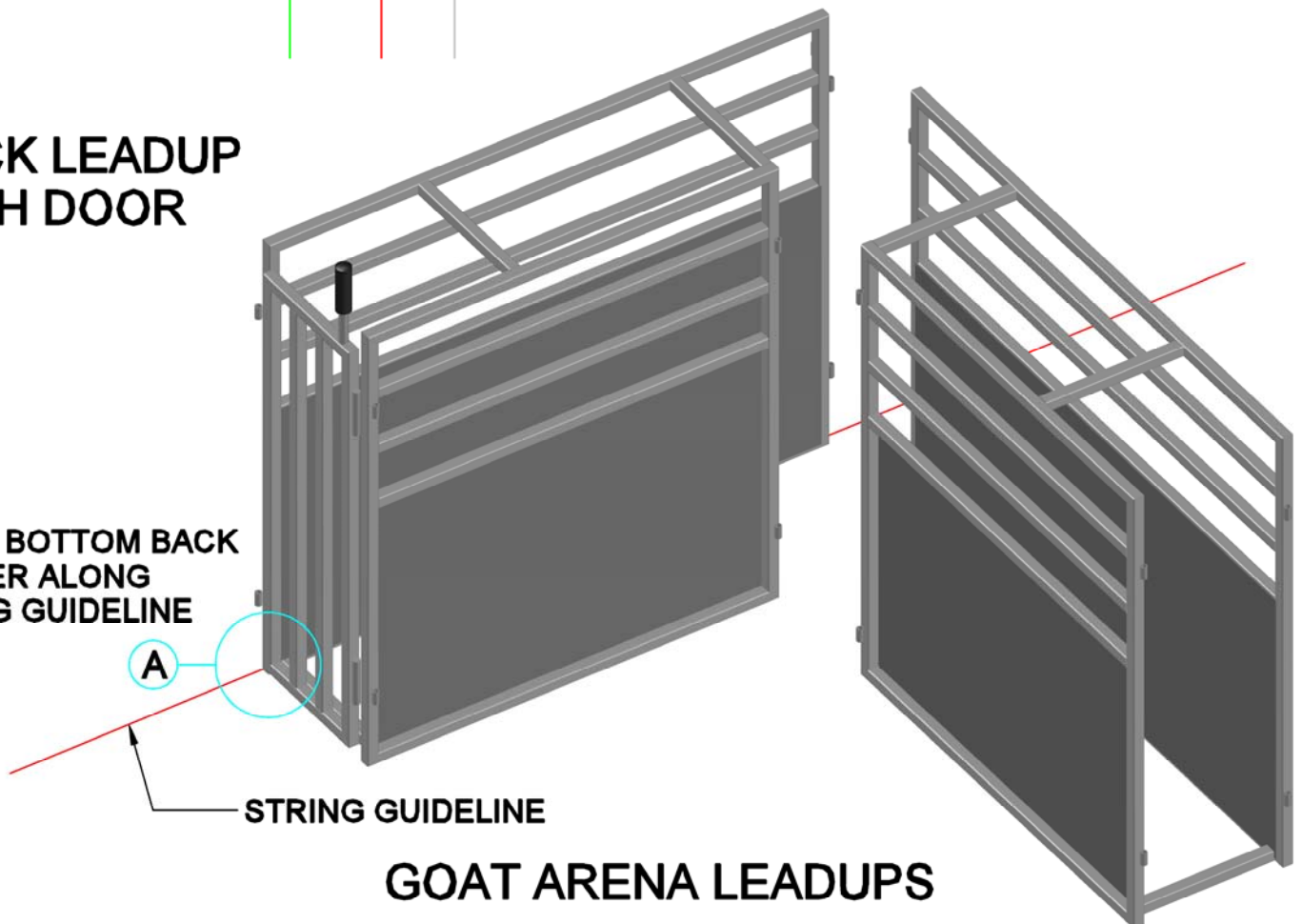
GOAT ARENA LEADUP LOCATION

1 Position the BACK Corner **A** of the leadups at the dimensions shown below:



BACK LEADUP WITH DOOR

PLACE BOTTOM BACK CORNER ALONG STRING GUIDELINE



This drawing is the property of RedRiverArenas.com
RedRiverArenas does not authorize the reproduction or
conveyance of any information contained herein
without prior written permission.

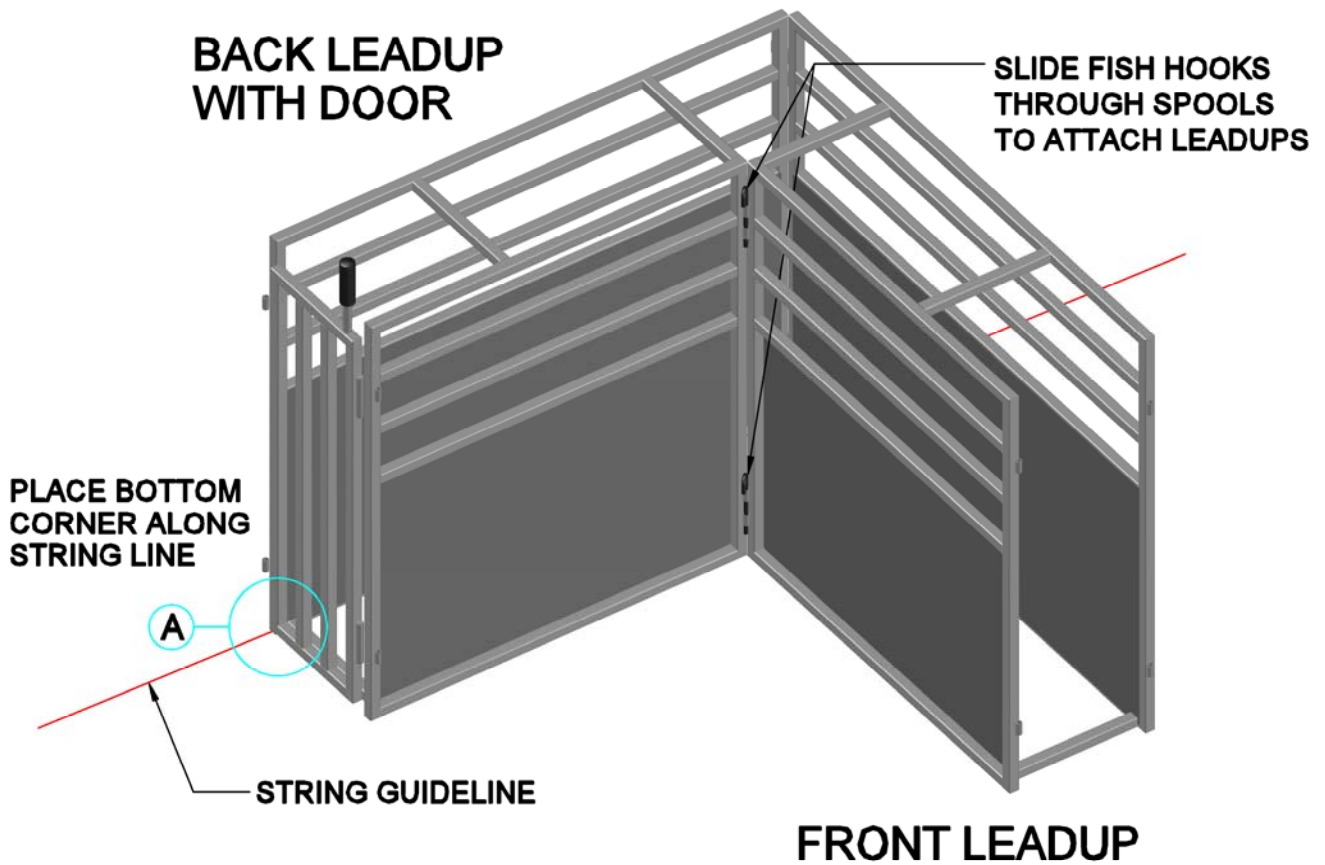
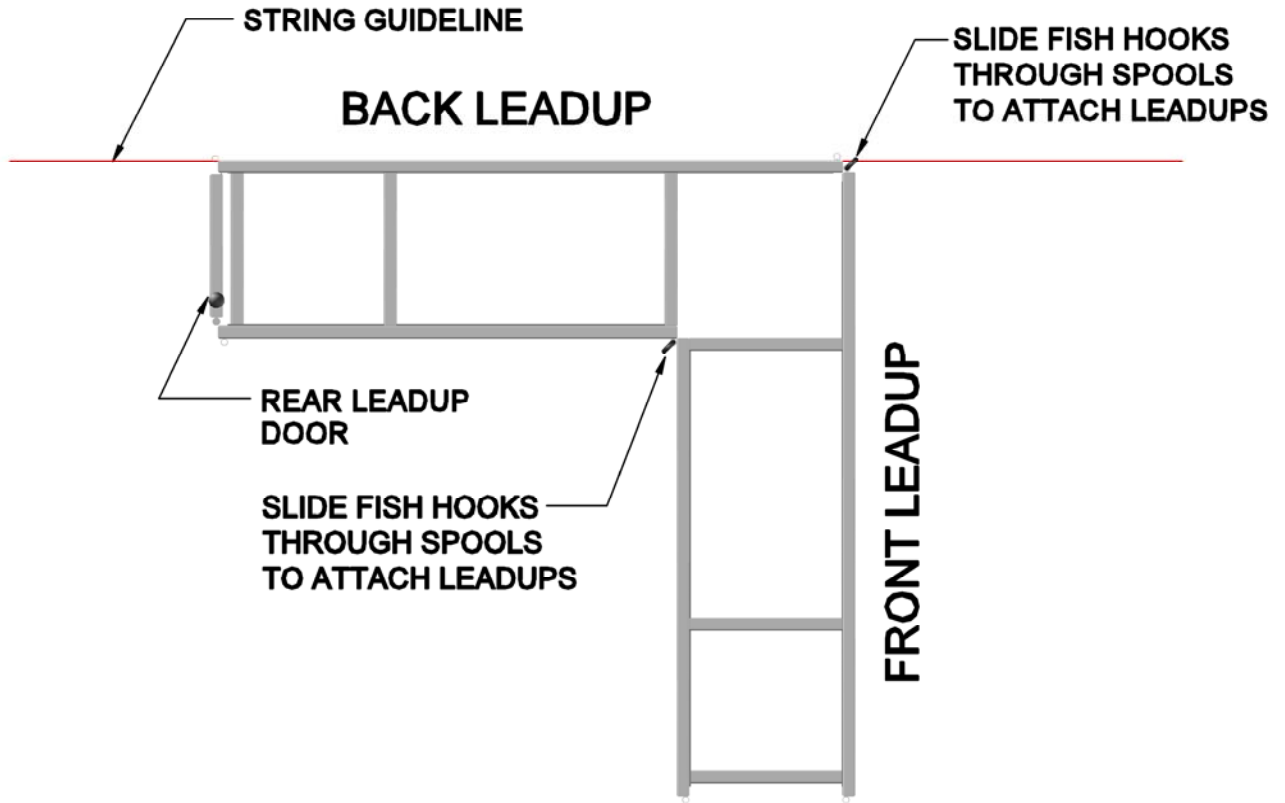
LEADUP LOCATION

REDRIVERARENAS.COM

PHONE : 1-325-625-1900

GRA-01C

LEADUP CONNECTIONS



This drawing is the property of RedRiverArenas.com. RedRiverArenas does not authorize the reproduction or conveyance of any information contained herein without prior written permission.

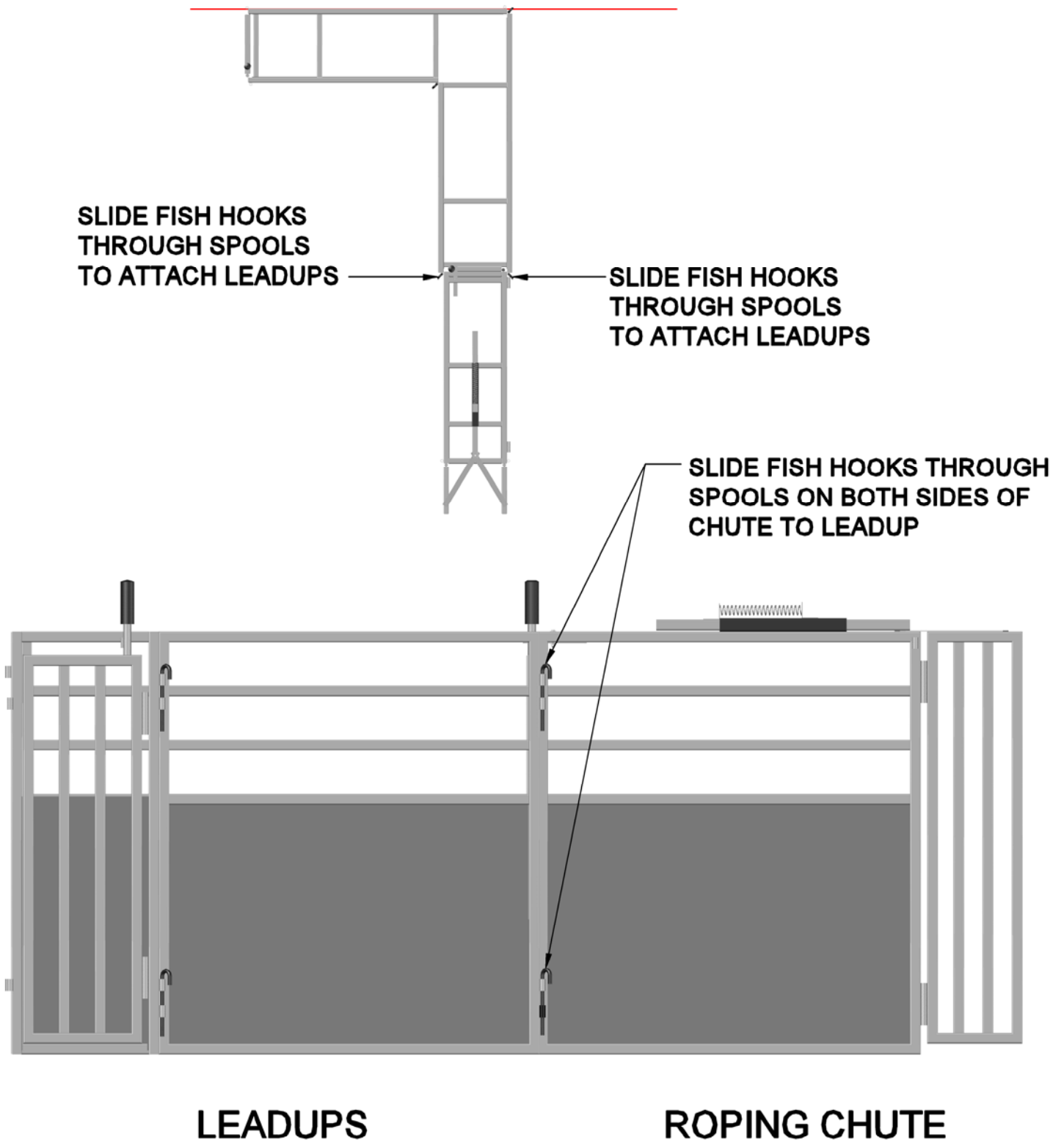
LEADUP CONNECTIONS

REDRIVERARENAS.COM

PHONE : 1-325-625-1900

GRA-01D

CHUTE TO LEADUP CONNECTIONS



This drawing is the property of RedRiverArenas.com
RedRiverArenas does not authorize the reproduction or
conveyance of any information contained herein
without prior written permission.

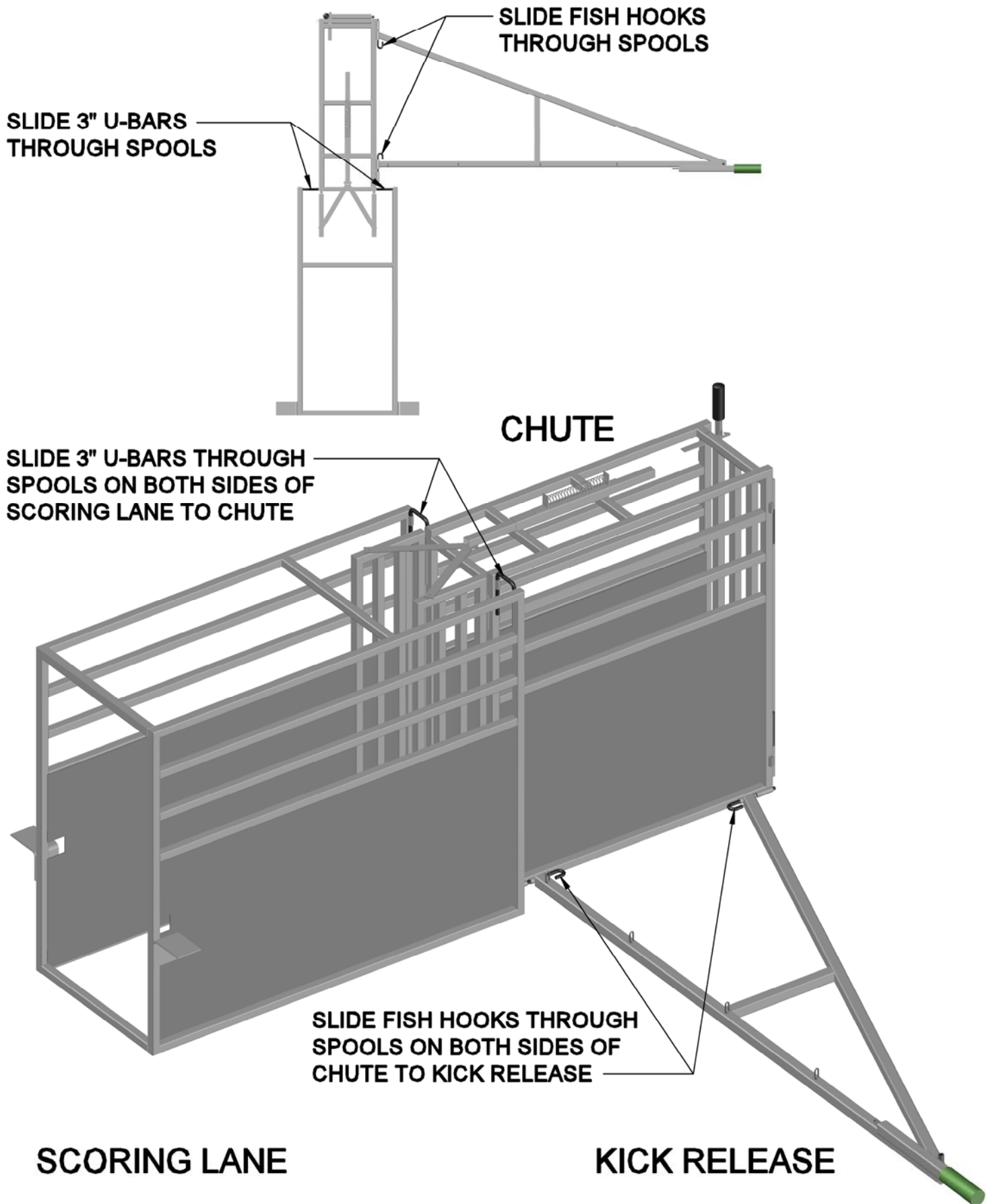
LEADUP TO CHUTE

REDRIVERARENAS.COM

PHONE : 1-325-625-1900

GRA-01E

SCORE LANE TO CHUTE CONNECTIONS



This drawing is the property of RedRiverArenas.com
RedRiverArenas does not authorize the reproduction or
conveyance of any information contained herein
without prior written permission.

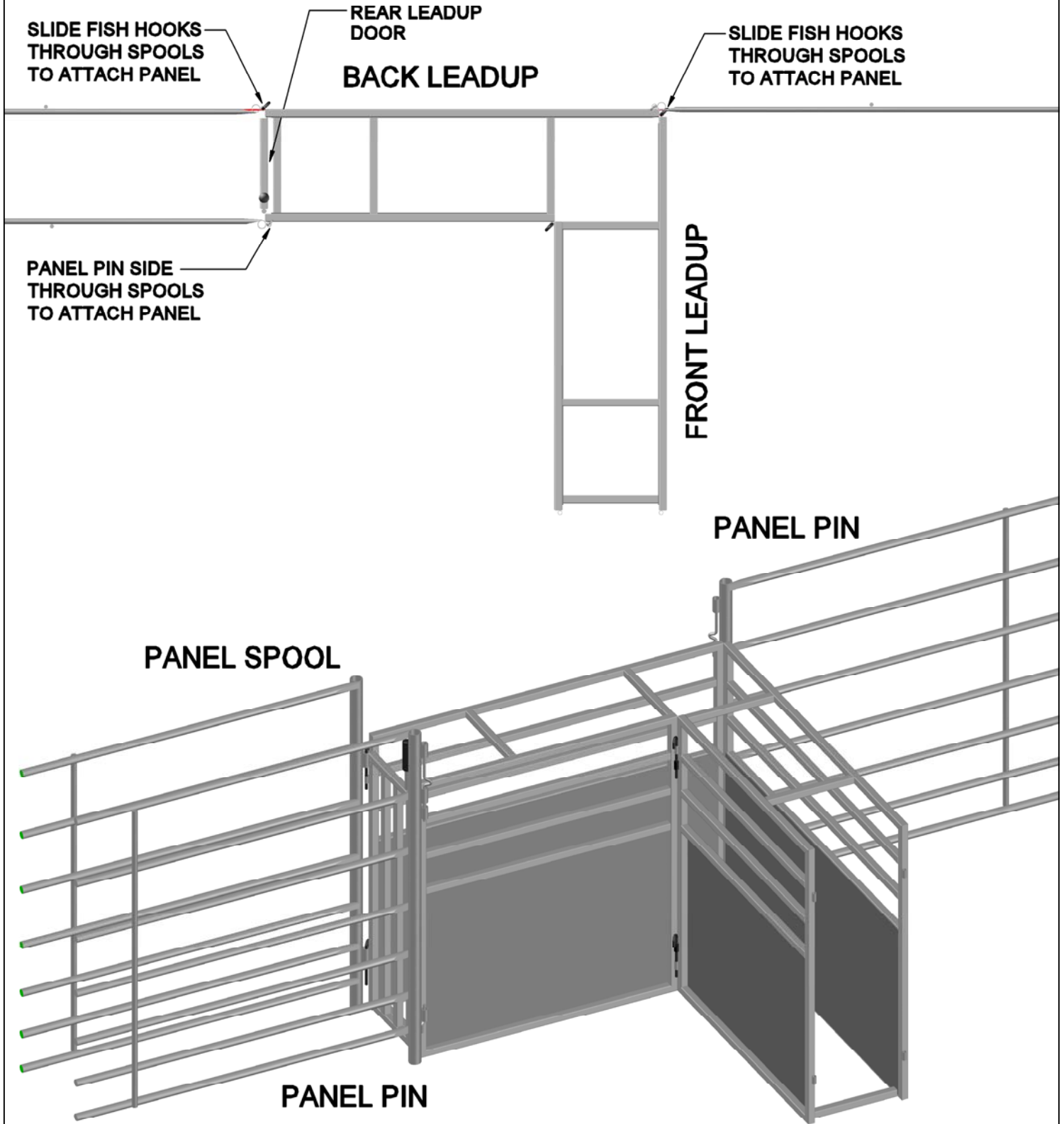
SCORE LANE TO CHUTE

REDRIVERARENAS.COM

PHONE : 1-325-625-1900

GRA-01F

PANEL TO LEADUP CONNECTIONS



This drawing is the property of RedRiverArenas.com. RedRiverArenas does not authorize the reproduction or conveyance of any information contained herein without prior written permission.

PANEL TO LEADUP

REDRIVERARENAS.COM

PHONE : 1-325-625-1900

GRA-01G