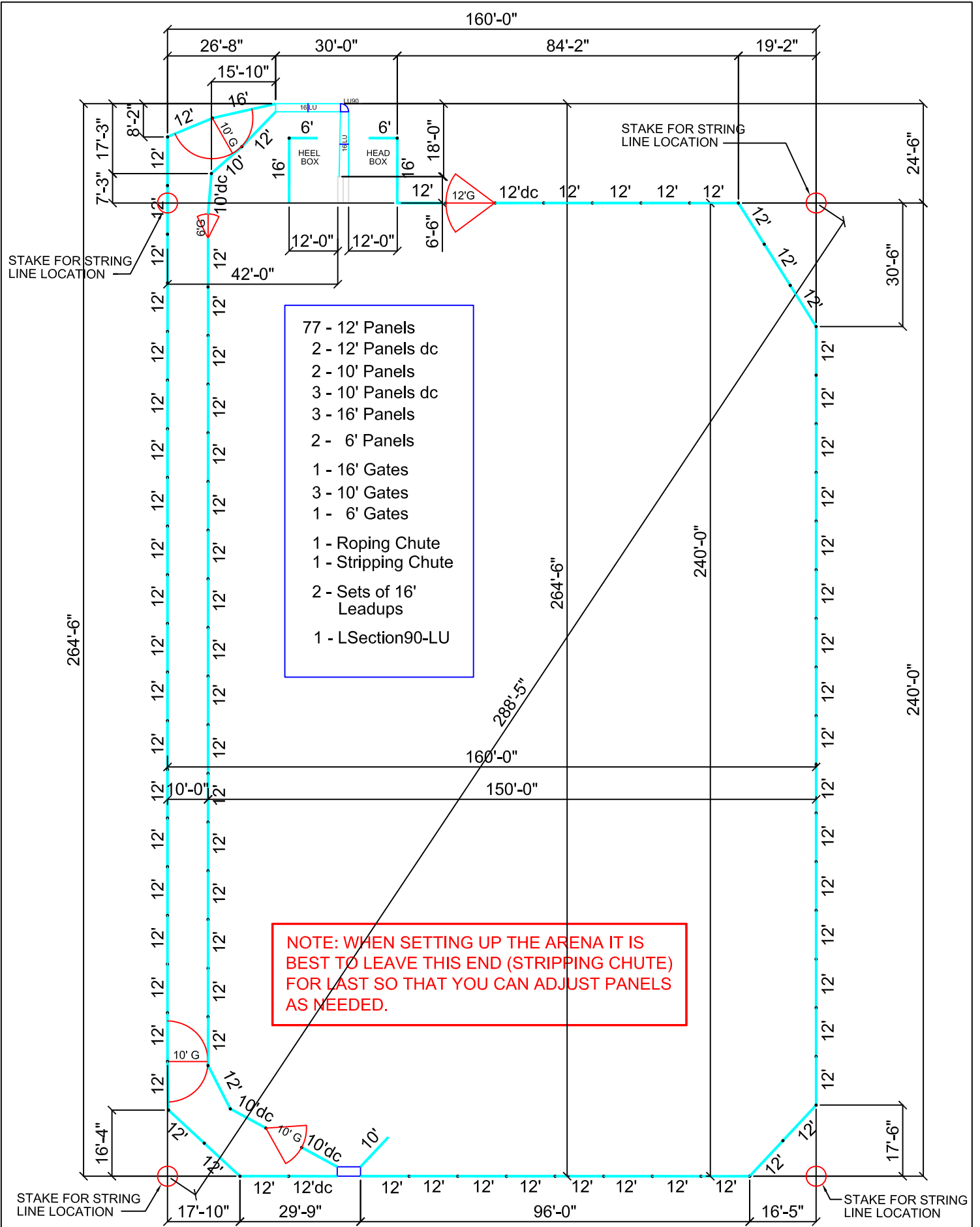


RED RIVER ARENAS.com

“Spend Less, Get More!”

800-343-1026



- 77 - 12' Panels
- 2 - 12' Panels dc
- 2 - 10' Panels
- 3 - 10' Panels dc
- 3 - 16' Panels
- 2 - 6' Panels
- 1 - 16' Gates
- 3 - 10' Gates
- 1 - 6' Gates
- 1 - Roping Chute
- 1 - Stripping Chute
- 2 - Sets of 16' Leadups
- 1 - LSection90-LU

NOTE: WHEN SETTING UP THE ARENA IT IS BEST TO LEAVE THIS END (STRIPPING CHUTE) FOR LAST SO THAT YOU CAN ADJUST PANELS AS NEEDED.

This drawing is the property of RedRiverArenas.com. RedRiverArenas does not authorize the reproduction or conveyance of any information contained herein without prior written permission.

DIMENSIONS

REDRIVERARENAS.COM

PHONE : 1-325-625-1900

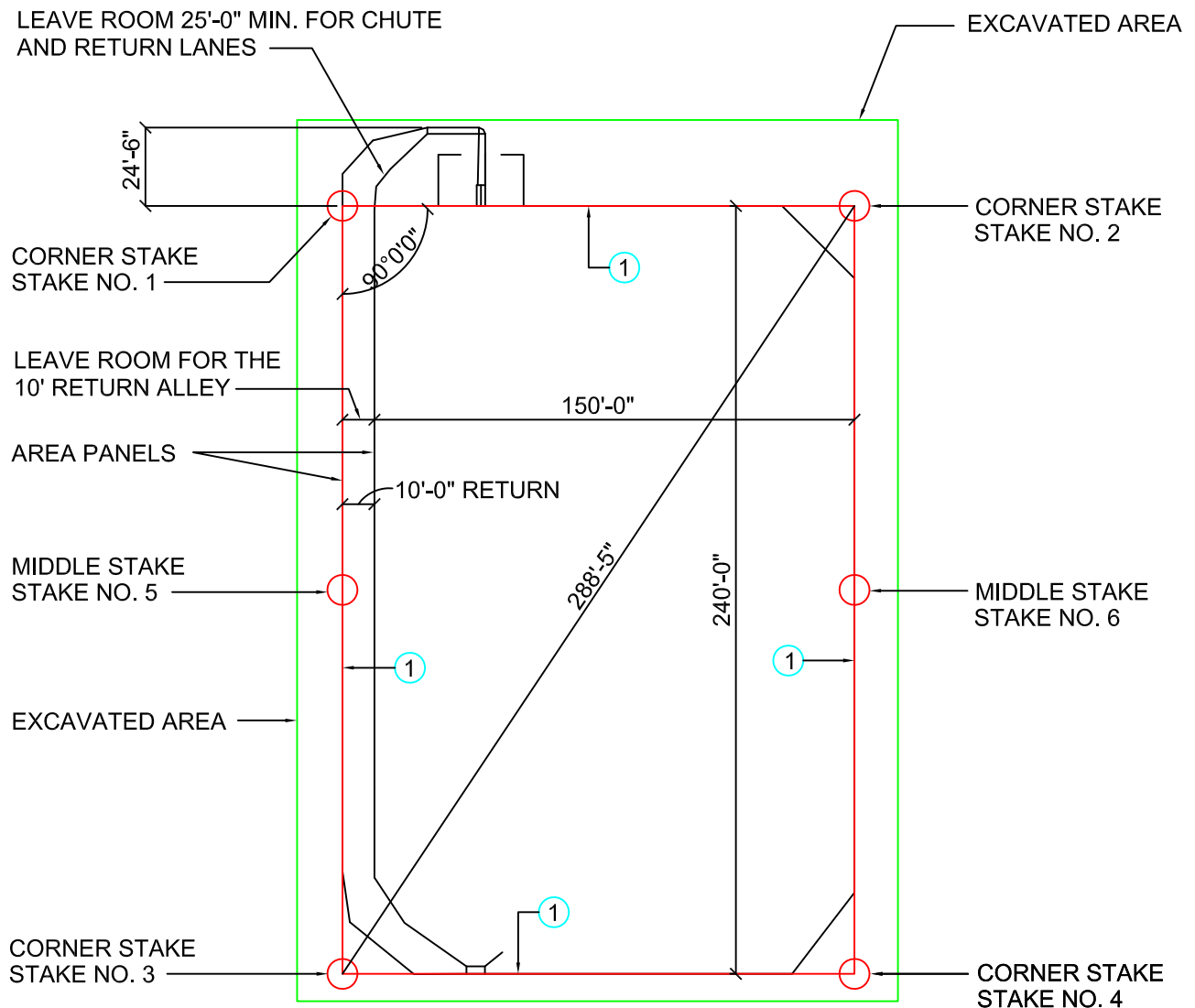
TUBE-S12-07-WC

150 X 240 w/ RETURN EXCAVATION AREA

MINIMUM EXCAVATION AREA IS 160'-0" BY 265'-0"

- 1 Start by staking out the Arena Area (160'-0" by 240'-0") to use as a guideline for panels.

NOTE: IF EXCAVATION EXCEEDS THE GIVEN DIMENSIONS OWNER
WILL NEED TO COMPENSATE ACCORDINGLY



This drawing is the property of RedRiverArenas.com
RedRiverArenas does not authorize the reproduction or
conveyance of any information contained herein
without prior written permission.

EXCAVATION

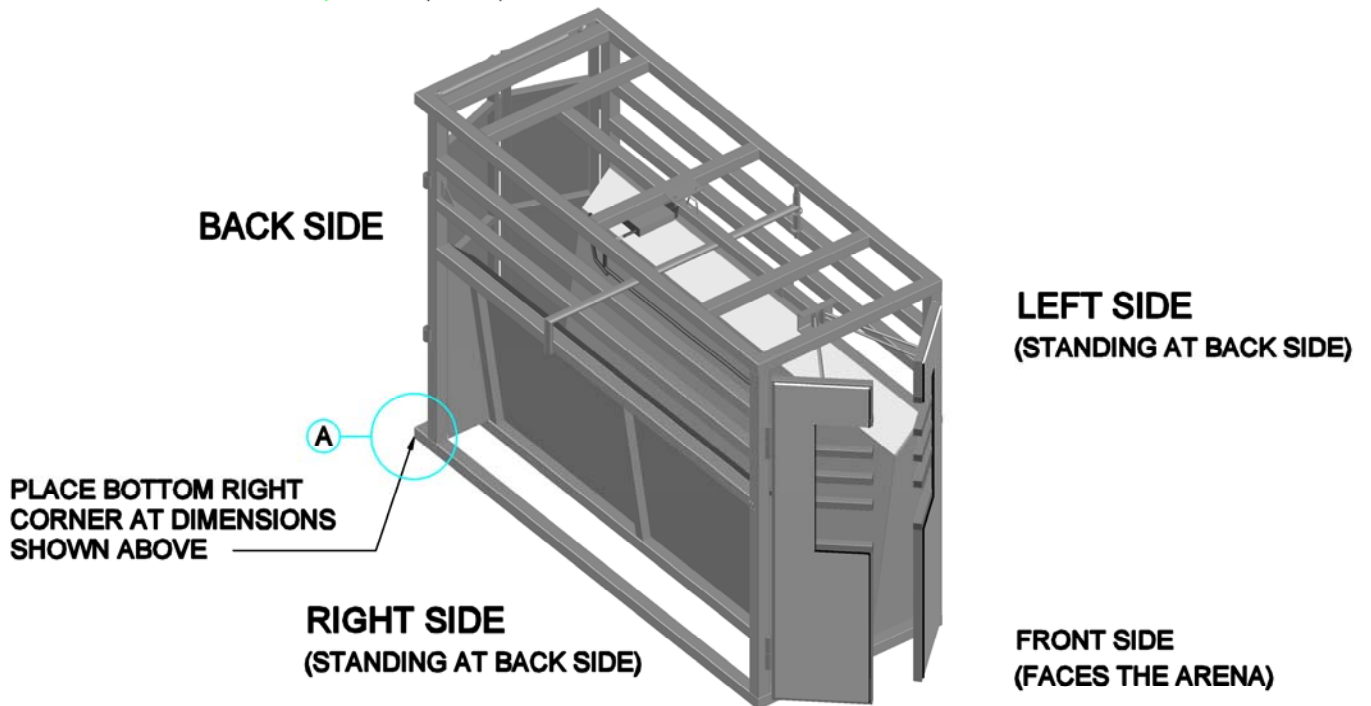
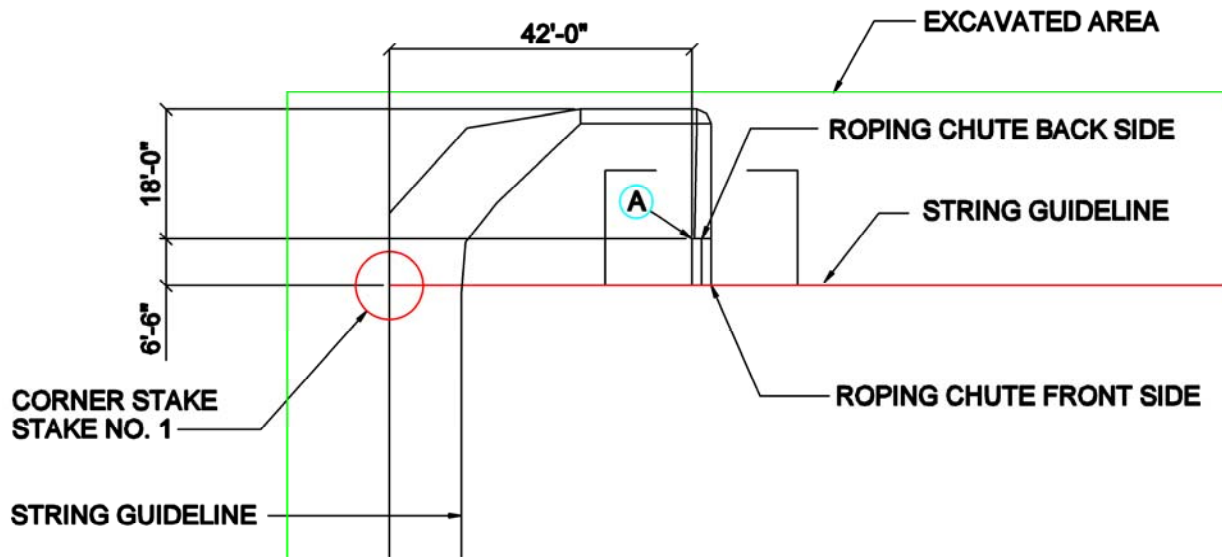
REDRIVERARENAS.COM

PHONE : 1-325-625-1900

TUBE-S12-07-WC

150 X 240 w/ RETURN ROPING CHUTE LOCATION

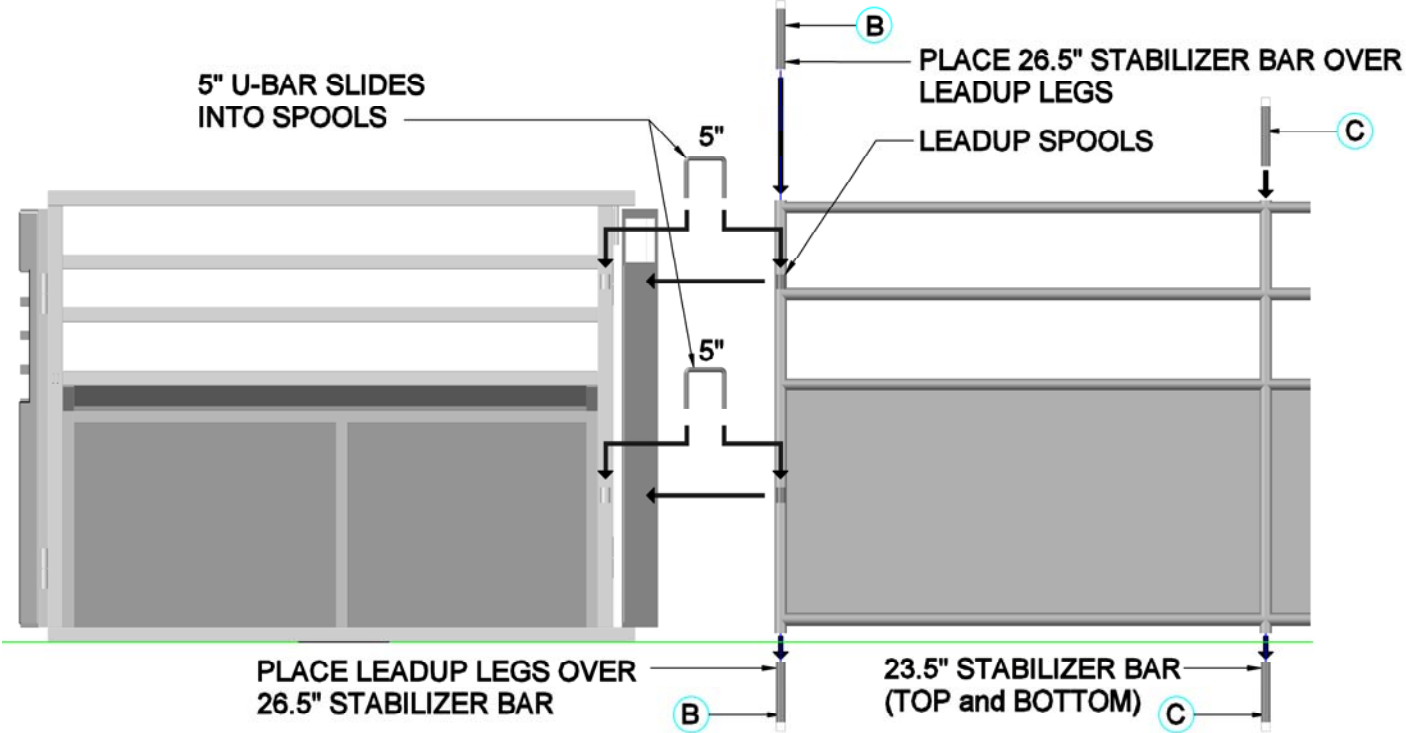
Position the BACK Corner **A** of the Roping Chute at the dimension shown below:



CHUTE TO LEADUP CONNECTION

- 1.) Place 26.5" STABILIZER BAR (B) on ground and place LEADUP Leg over the STABILIZER BAR for support.
- 2.) Place 23.5" STABILIZER BAR (C) on ground and place LEADUP Mid Leg over the STABILIZER BAR for support.
- 3.) Slide 5/8" x 5" U-BARS into CHUTE and LEADUP spools.
- 4.) Place 26.5" STABILIZER BAR (B) over top LEADUP Leg for support.
- 5.) Place 23.5" STABILIZER BAR (C) over top LEADUP Leg for support.

NOTE: ROPING CHUTE LEFT SIDE AND LEADUP PANEL SHOULD LINE UP WITH ONE ANOTHER.



ROPING CHUTE LEFT SIDE

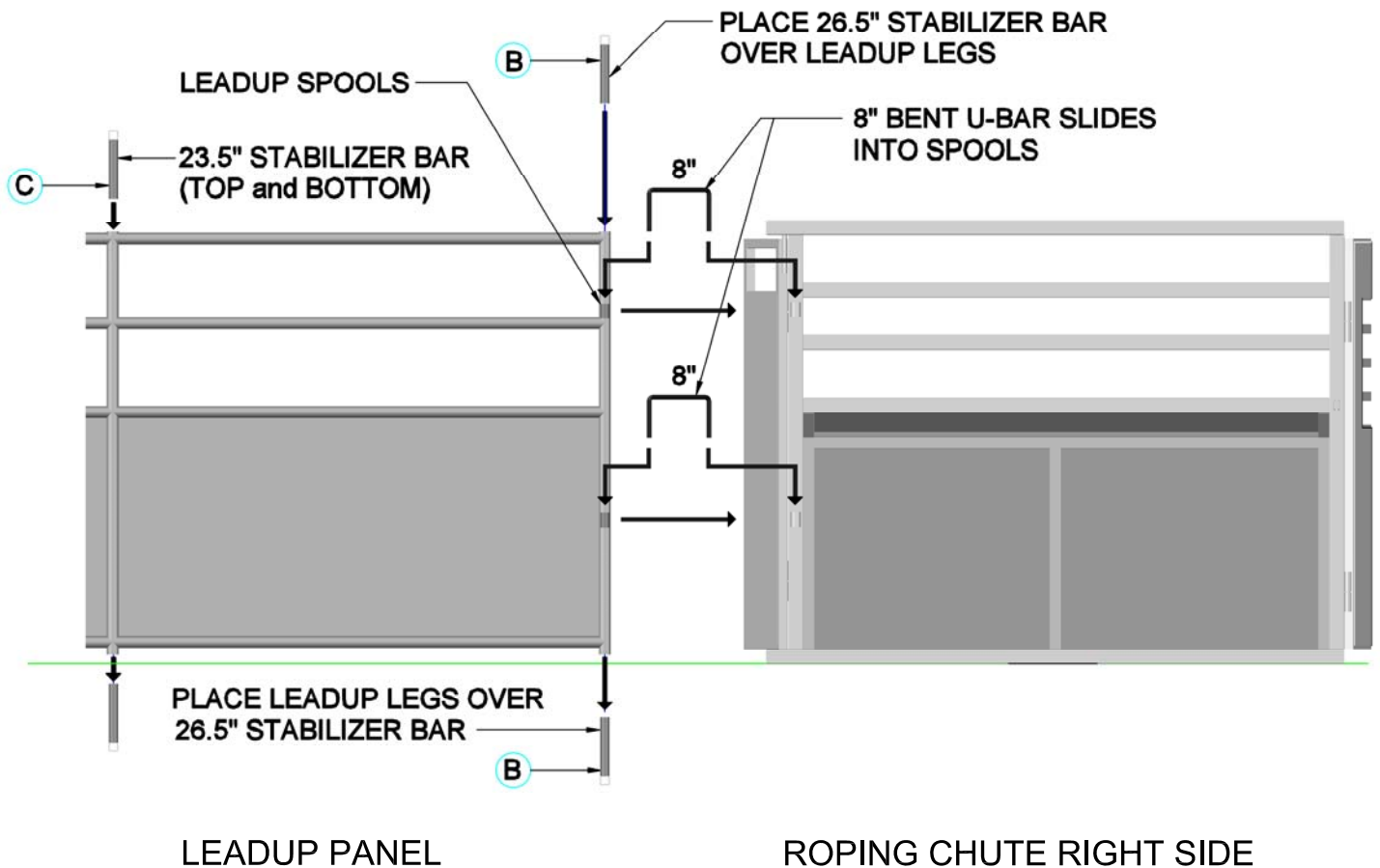
LEADUP PANEL

STANDING AT HEAD SIDE OF THE CHUTE
 LEADUP TO HEAD SIDE CHUTE CONNECTION w/ 5" U-BARS

CHUTE TO LEADUP CONNECTION

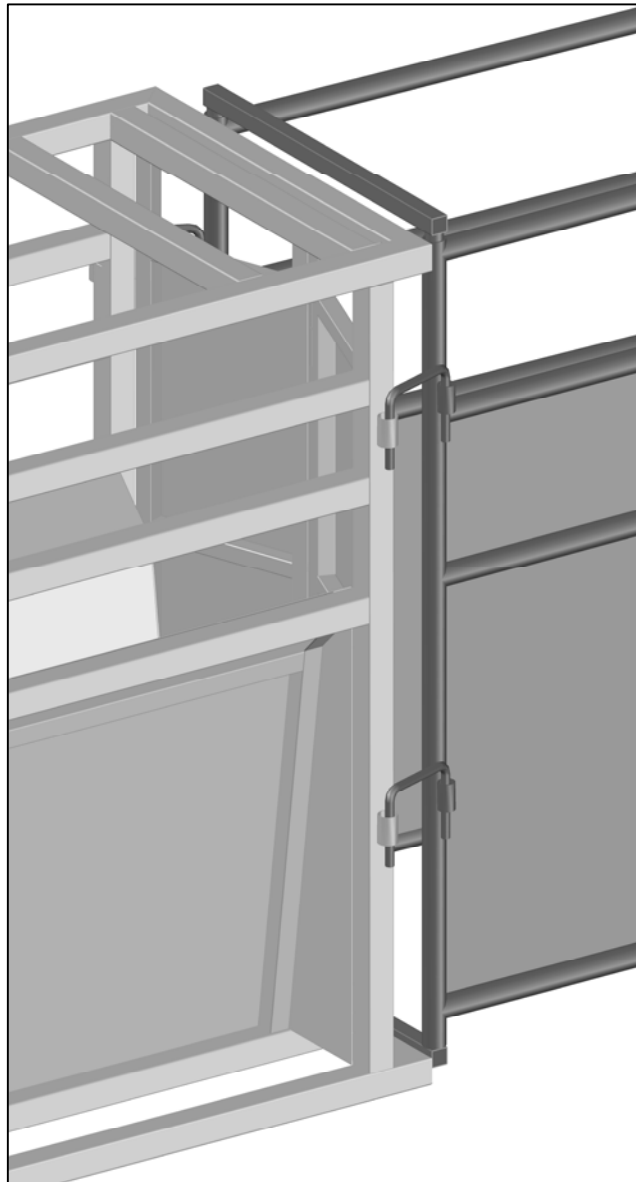
- 1.) Place LEADUP Leg over the STABILIZER (B) BAR for support.
- 2.) Slide 5/8" x 8" BENT U-BARS into CHUTE and LEADUP spools.
- 3.) Place 26.5" STABILIZER BAR (B) over top LEADUP Leg for support.
- 3.) Place 26.5" STABILIZER BAR (C) over top LEADUP Leg for support.

NOTE: ROPING CHUTE LEFT SIDE AND LEADUP PANEL SHOULD LINE UP WITH ONE ANOTHER.



STANDING AT HEEL SIDE OF THE CHUTE
LEADUP TO HEEL SIDE CHUTE CONNECTION w/ 8" U-BARS

LEADUP TO CHUTE CONNECTION



ROPING CHUTE LEFT SIDE
(5/8" x 5" U-BAR)

ROPING CHUTE RIGHT SIDE
(5/8" x 5" BENT U-BAR)

STANDING BEHIND CHUTE
LEFT AND RIGHT LEADUP TO CHUTE U-BAR CONNECTIONS

This drawing is the property of RedRiverArenas.com
RedRiverArenas does not authorize the reproduction or
conveyance of any information contained herein
without prior written permission.

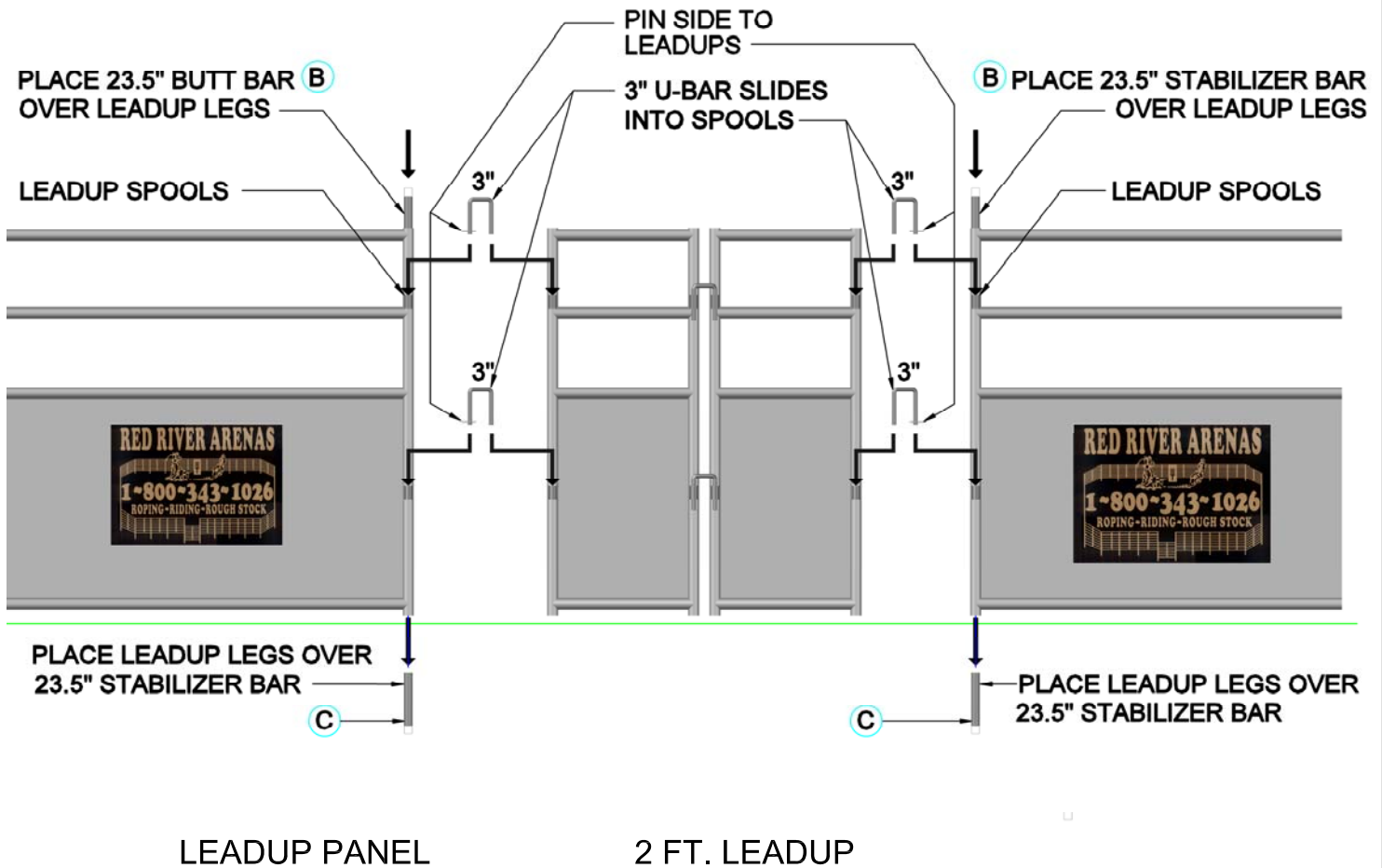
LEADUP TO CHUTE RIGHT SIDE

REDRIVERARENAS.COM

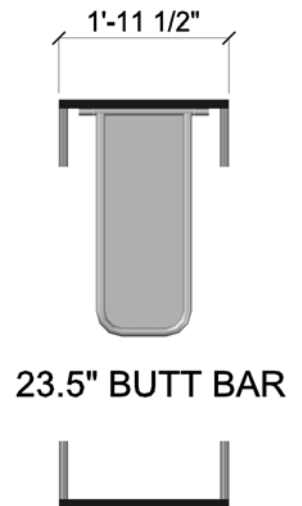
PHONE : 1-325-625-1900

TUBE-S12-07-WC

LEADUP TO 2' FT LEADUP CONNECTION (ROPING CHUTE LEFT SIDE)



STANDING BEHIND CHUTE
LEFT SIDE LEADUP TO 2' FT. LEADUP CONNECTION



This drawing is the property of RedRiverArenas.com. RedRiverArenas does not authorize the reproduction or conveyance of any information contained herein without prior written permission.

LEADUP TO 2FT PANEL CONNECTION

REDRIVERARENAS.COM

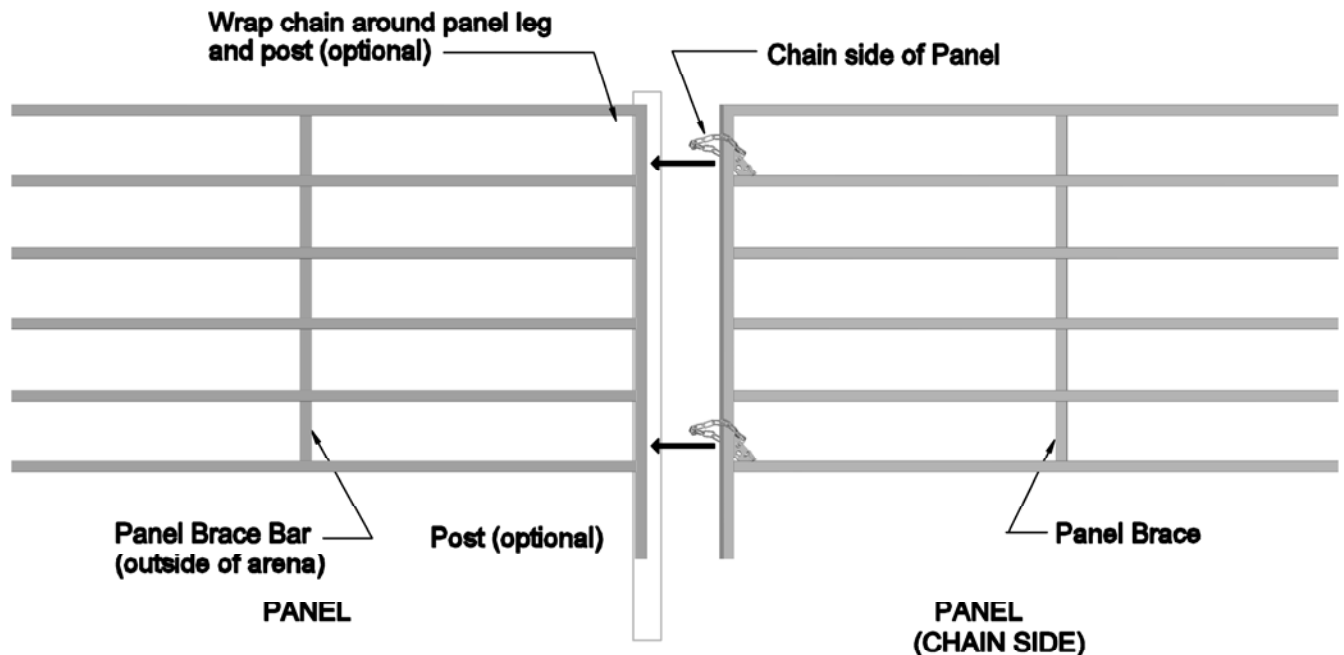
PHONE : 1-325-625-1900

TUBE-S12-07-WC

PANEL TO PANEL CONNECTION (CHAIN CONNECTION)

PANEL CHAIN CONNECTION

1. USING THE MARK(S) YOU MAKE WITH THE STRING. ALIGN AND CONNECT ONE PANEL AT A TIME.
2. WRAP CHAIN AROUND PANEL LEG AND ATTACH TO CHAIN KEEPER.
3. PANL SHOULD NOW BE CONNECTED. YOU CAN ADJUST ONE PANEL 90° FOR BALANCE.



PANEL TO PANEL CONNECTION WITH CHAINS