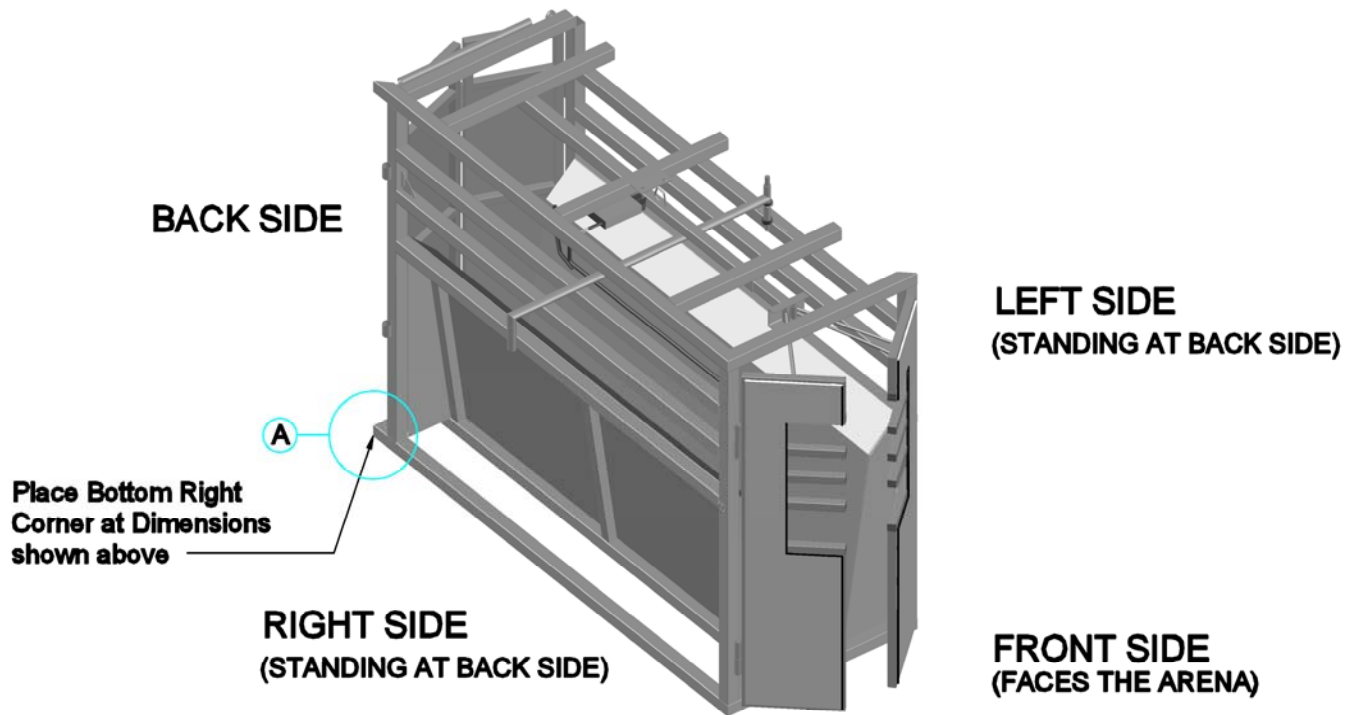
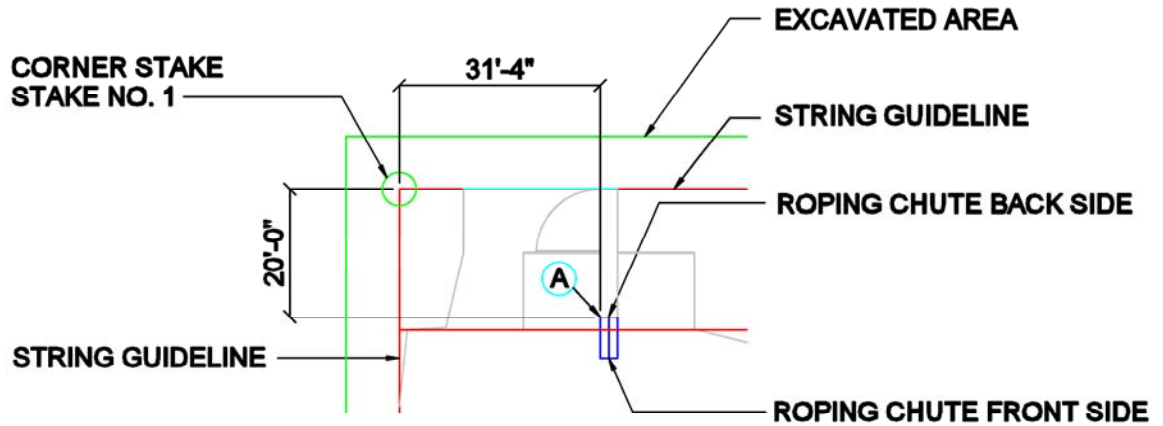


116 X 216 w/o RETURN ROPING CHUTE LOCATION

2 Position the BACK Corner **A** of the Roping Chute at the dimension shown below:



This drawing is the property of RedRiverArenas.com. RedRiverArenas does not authorize the reproduction or conveyance of any information contained herein without prior written permission.

CHUTE LOCATION

REDRIVERARENAS.COM | PHONE : 1-325-625-1900 | TUBE-S16-00CS