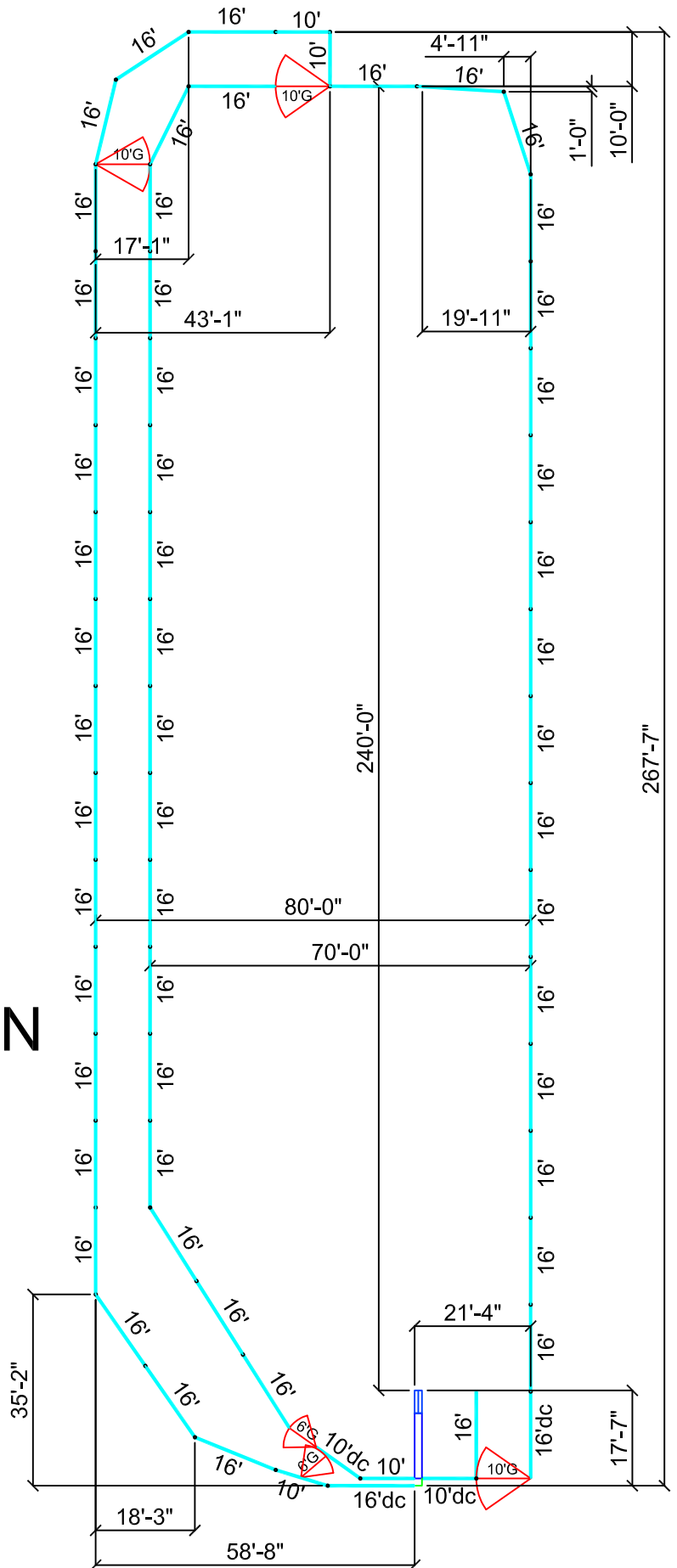


RED RIVER ARENAS.com

“Spend Less, Get More!”

800-343-1026

- 54 - 16' Panel
- 2 - 16' Panel dc
- 4 - 10' Panels
- 2 - 10' Panels dc
- 3 - 10' Gates
- 2 - 6' Gates
- 1 - L Section
- 1 - Roping Chute
- 1 - Extension



70'x240' w/ RETURN w/ CHAINS

(16' FOOT PANELS)

This drawing is the property of RedRiverArenas.com
RedRiverArenas does not authorize the reproduction or
conveyance of any information contained herein
without prior written permission.

70' x 240' w/ RETURN

REDRIVERARENAS.COM

PHONE : 1-325-625-1900

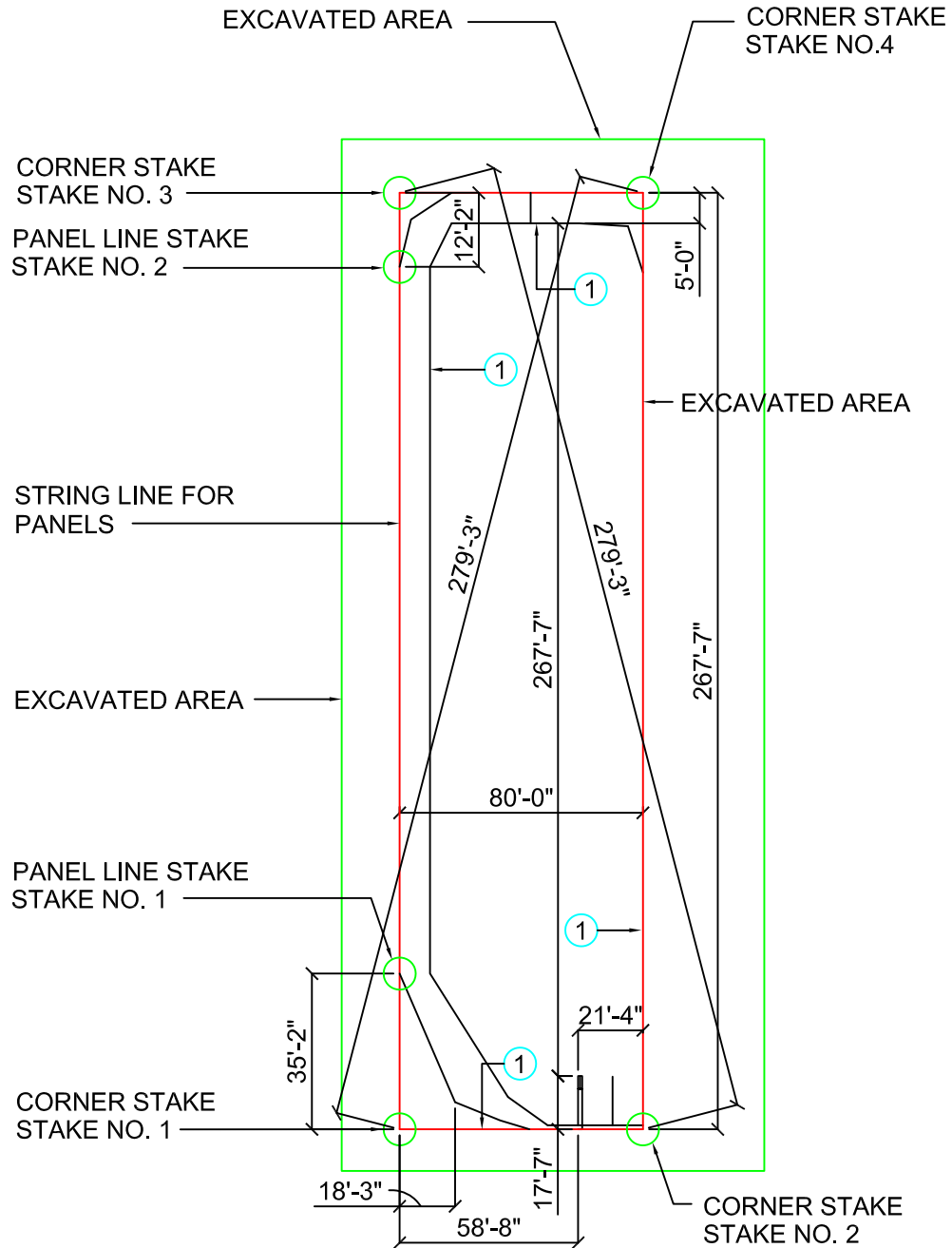
TUBE-S16-13-WC

70' x 240' w/ RETURN EXCAVATION AREA

MINIMUM EXCAVATION AREA IS 80'-0" BY 267'-7"

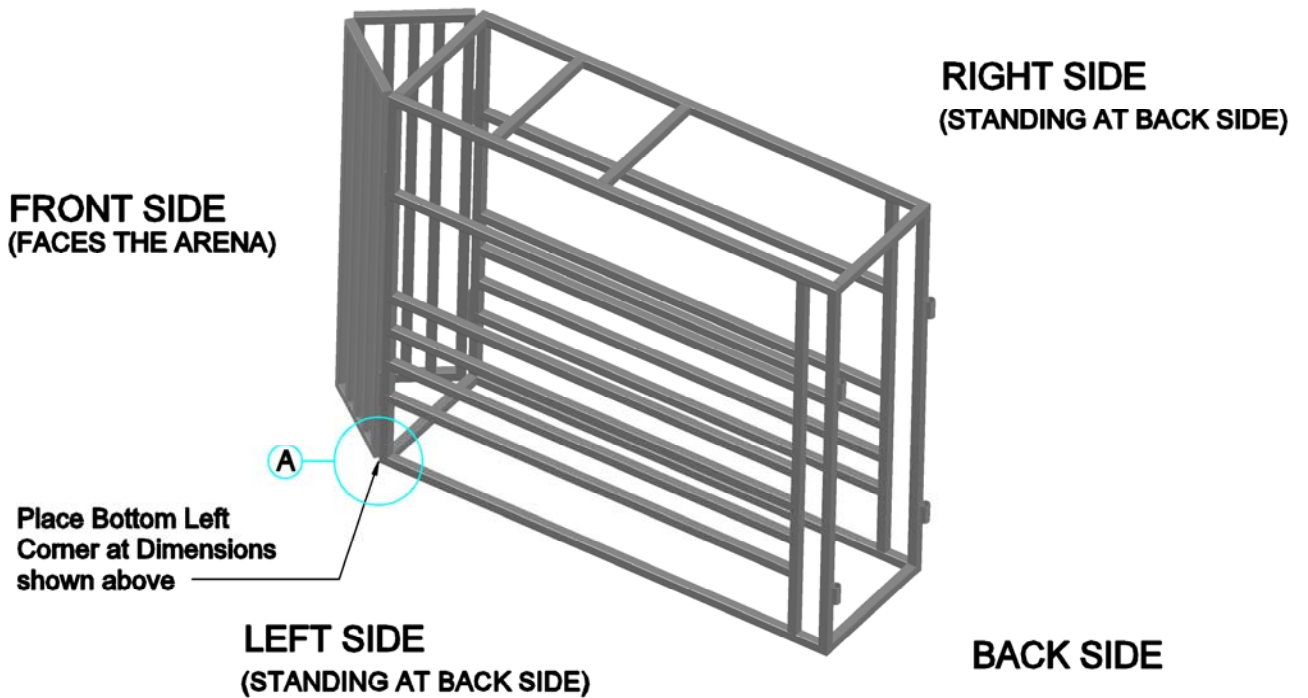
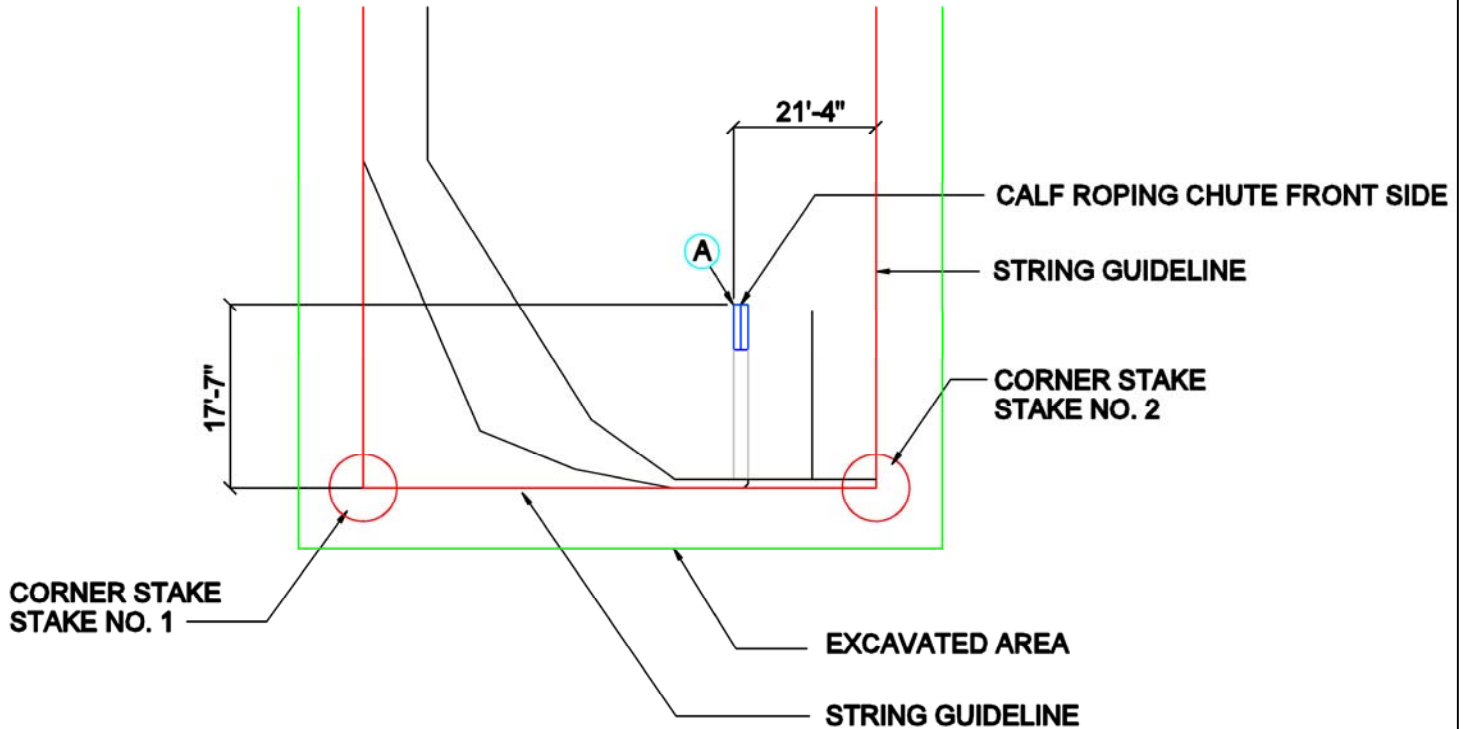
- 1 Start by staking out the Arena Area (40'-0" by 326'-1") to use as a guideline for panels.

NOTE: IF EXCAVATION EXCEEDS THE GIVEN DIMENSIONS OWNER
WILL NEED TO COMPENSATE ACCORDINGLY



70' x 240' w/ RETURN CALF ROPING CHUTE LOCATION

② Position the FRONT Corner **A** of the Chute at the dimension shown below:



This drawing is the property of RedRiverArenas.com
RedRiverArenas does not authorize the reproduction or
conveyance of any information contained herein
without prior written permission.

70' x 240' w/ RETURN - CHUTE LOCATION

REDRIVERARENAS.COM

PHONE : 1-325-625-1900

TUBE-S16-13-WC