

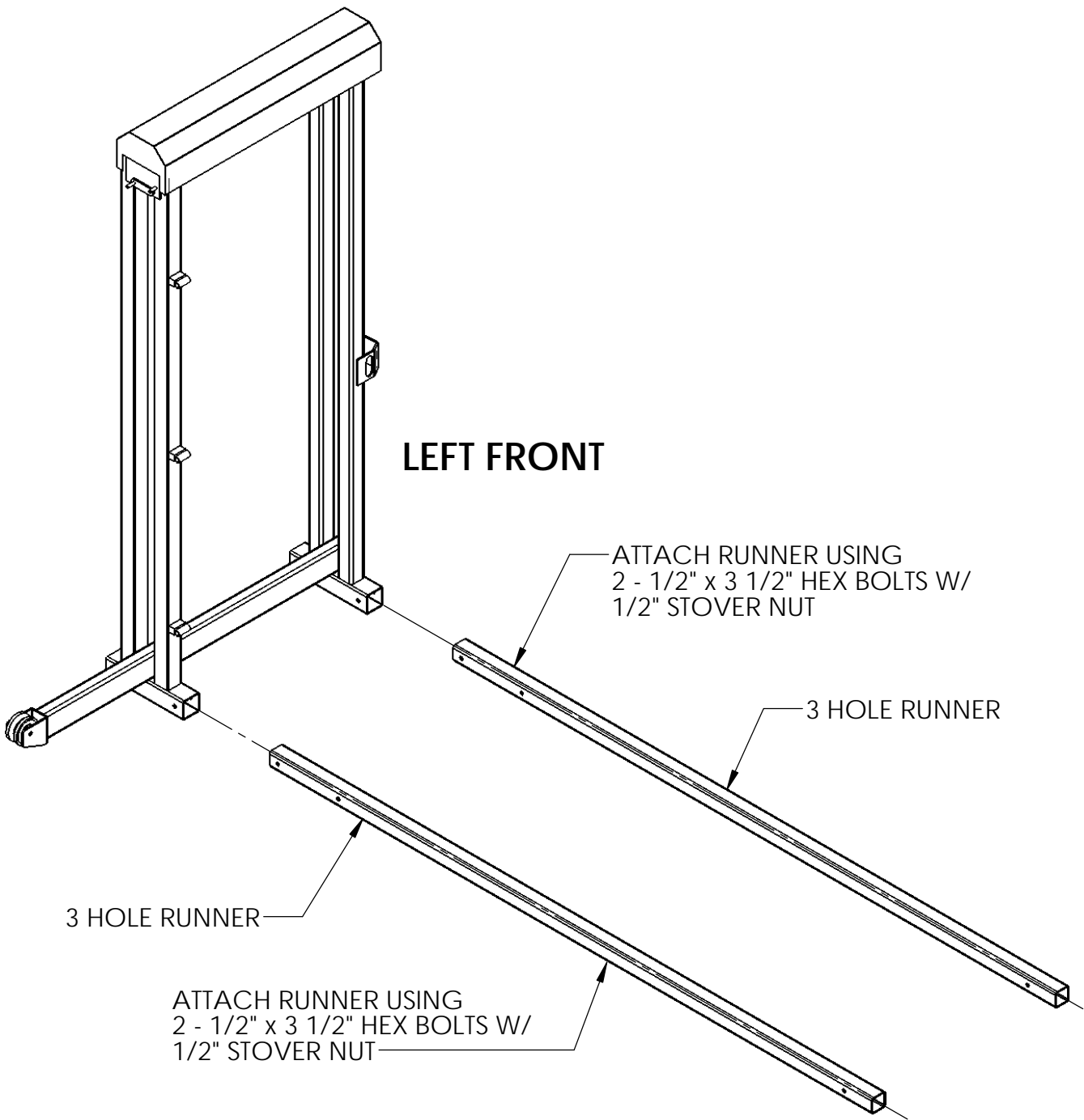
2

1

B

B

### LEFT FRONT



3 HOLE RUNNER

ATTACH RUNNER USING  
2 - 1/2" x 3 1/2" HEX BOLTS W/  
1/2" STOVER NUT

3 HOLE RUNNER

ATTACH RUNNER USING  
2 - 1/2" x 3 1/2" HEX BOLTS W/  
1/2" STOVER NUT

A

A

**PROPRIETARY AND CONFIDENTIAL**  
 THE INFORMATION CONTAINED IN THIS DRAWING IS THE SOLE PROPERTY OF REDRIVERARENAS. ANY REPRODUCTION IN PART OR AS A WHOLE WITHOUT THE WRITTEN PERMISSION OF REDRIVERARENAS IS PROHIBITED.

### 001 STEP ONE - LEFT FRONT

REDRIVERARENAS.COM

PHONE: 1-325-625-1900

SHEET 03

2

1

2

1

LEFT FRONT

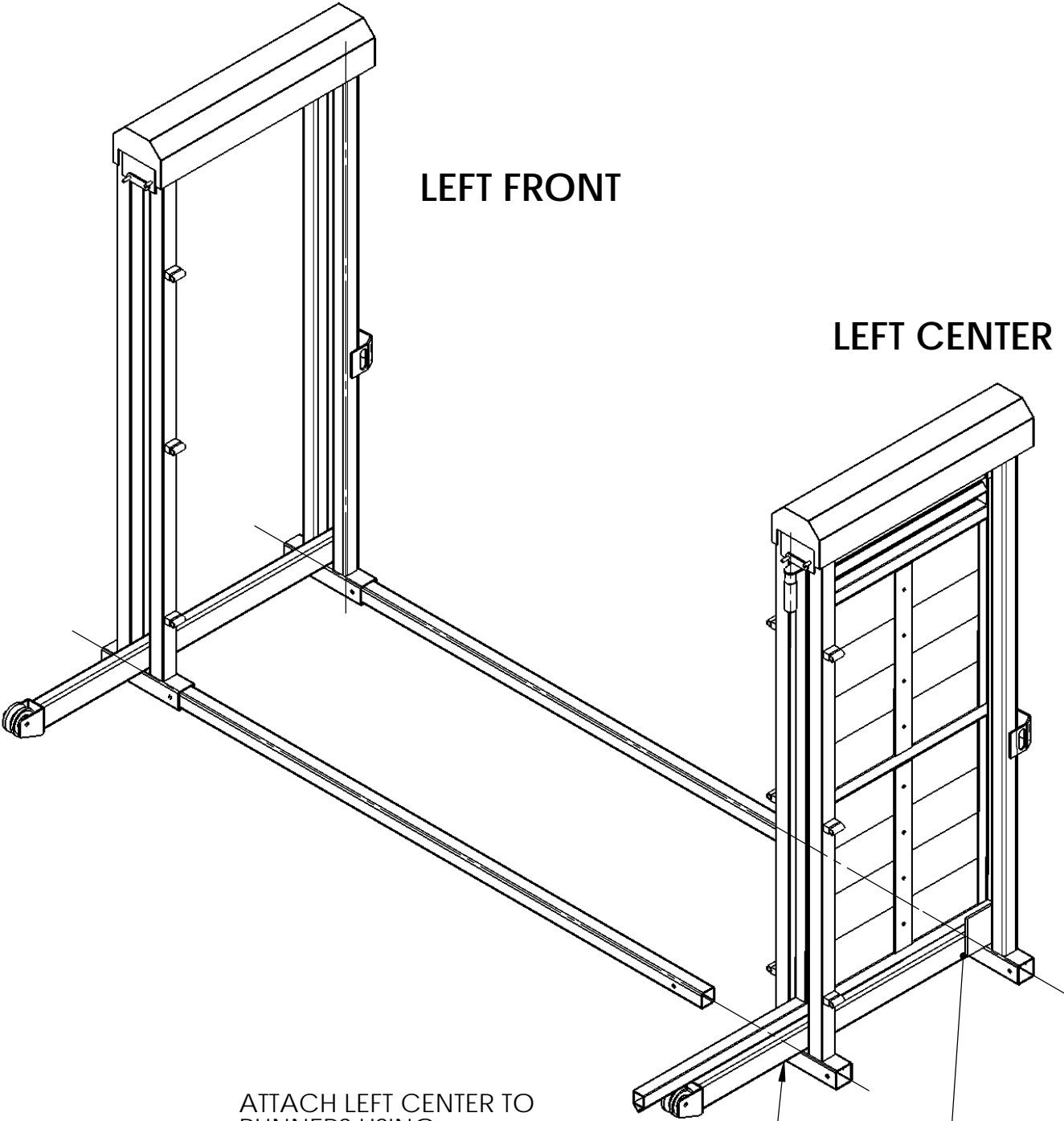
LEFT CENTER

B

B

A

A



ATTACH LEFT CENTER TO  
 RUNNERS USING  
 1 - 1/2" x 3 1/2" HEX BOLT W/  
 1/2" STOVER NUT

ATTACH LEFT CENTER  
 TO RUNNERS USING  
 1 - 1/2" x 3 1/2" HEX BOLT W/  
 1/2" STOVER NUT

**PROPRIETARY AND CONFIDENTIAL**  
 THE INFORMATION CONTAINED IN THIS DRAWING IS THE SOLE PROPERTY OF  
 REDRIVERARENAS. ANY REPRODUCTION IN PART OR AS A WHOLE WITHOUT  
 THE WRITTEN PERMISSION OF REDRIVERARENAS IS PROHIBITED.

002 STEP ONE - LEFT CENTER

REDRIVERARENAS.COM

PHONE: 1-325-625-1900

SHEET 04

2

1

2

1

LEFT FRONT

LEFT CENTER

BACK GATE

ATTACH LEFT BACK GATE USING  
6 - 1/2" x 3" CARRIAGE BOLTS W/  
1/2" STOVER NUT

B

B

A

A

**PROPRIETARY AND CONFIDENTIAL**  
THE INFORMATION CONTAINED IN THIS DRAWING IS THE SOLE PROPERTY OF REDRIVERARENAS. ANY REPRODUCTION IN PART OR AS A WHOLE WITHOUT THE WRITTEN PERMISSION OF REDRIVERARENAS IS PROHIBITED.

003 STEP THREE - BACK GATE

REDRIVERARENAS.COM

PHONE: 1-325-625-1900

SHEET 05

2

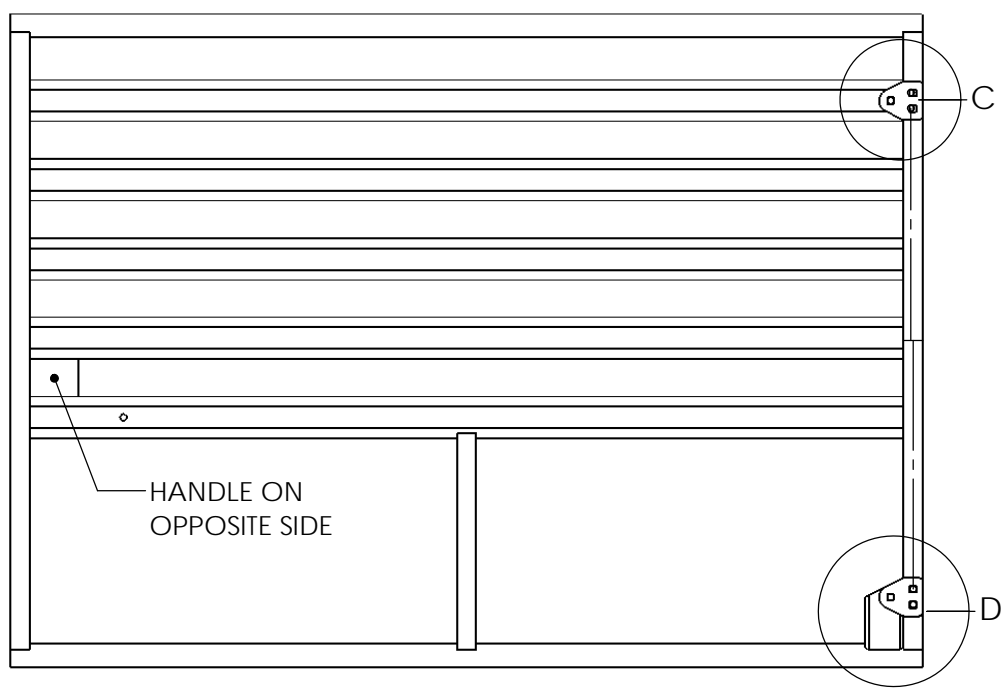
1

2

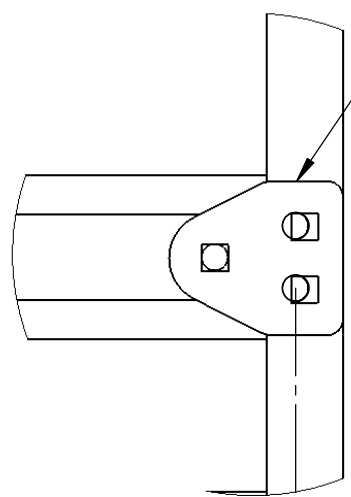
1

B

B

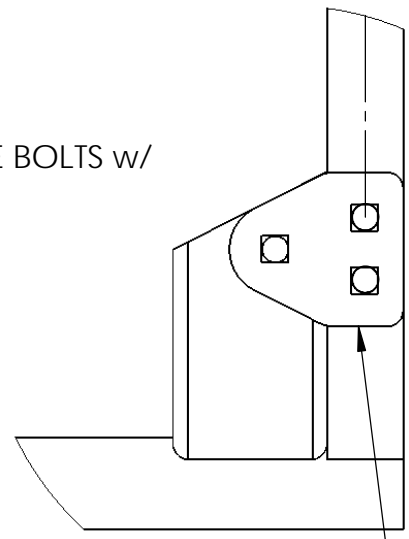


**FRONT GATE BACK SIDE**



WASHER PLATE w/  
3 - 5/8" x 3" CARRIAGE BOLTS w/  
5/8" JAM NUTS

**DETAIL C**  
SCALE 1 : 5



WASHER PLATE w/  
3 - 5/8" x 3" CARRIAGE BOLTS w/  
5/8" JAM NUTS

**DETAIL D**  
SCALE 1 : 5

A

A

PROPRIETARY AND CONFIDENTIAL  
THE INFORMATION CONTAINED IN THIS DRAWING IS THE SOLE PROPERTY OF  
REDRIVERARENAS. ANY REPRODUCTION IN PART OR AS A WHOLE WITHOUT  
THE WRITTEN PERMISSION OF REDRIVERARENAS IS PROHIBITED.

004 STEP FOUR - LEFT FRONT GATE

REDRIVERARENAS.COM

PHONE: 1-325-625-1900

SHEET 06

2

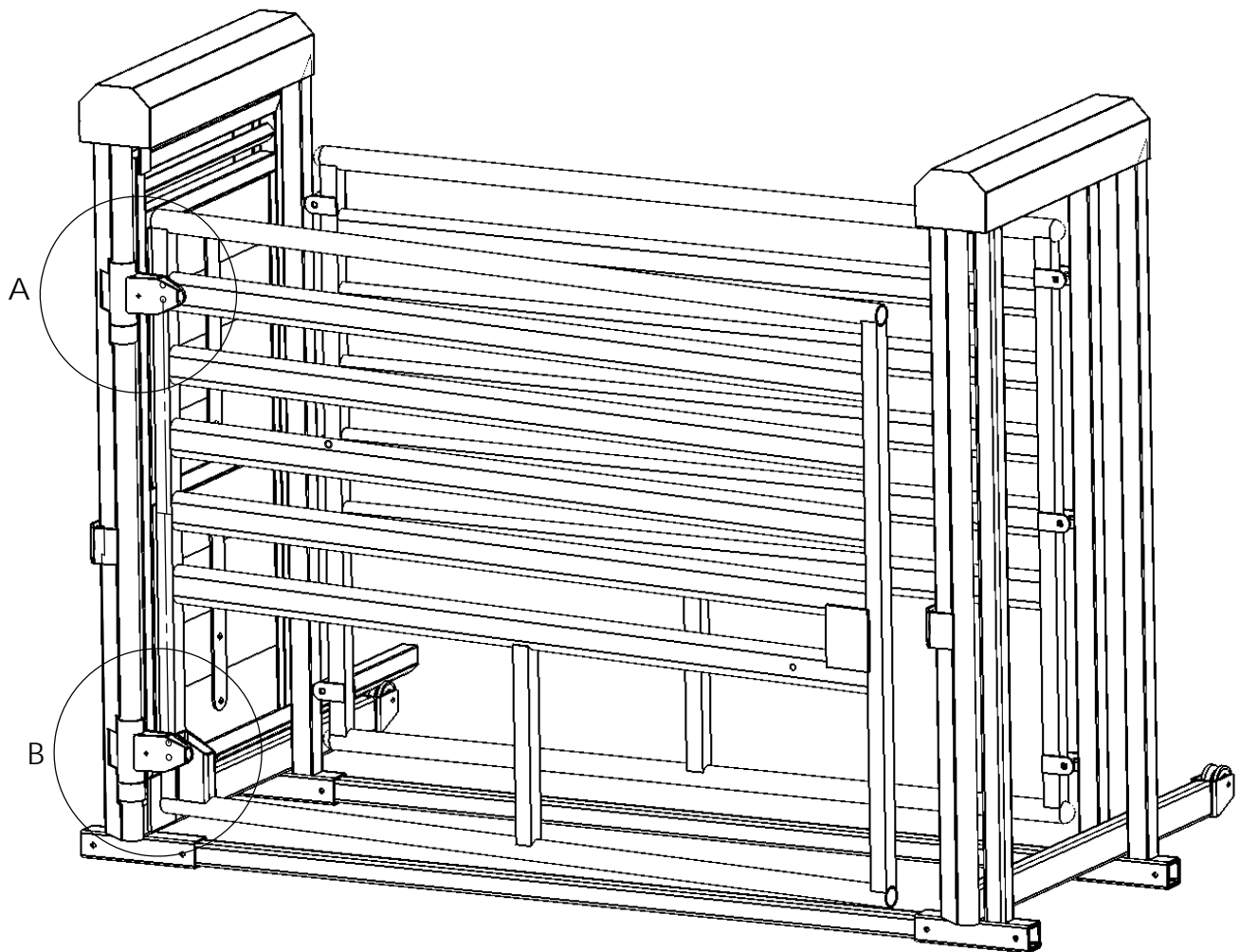
1

2

1

B

B



A

A

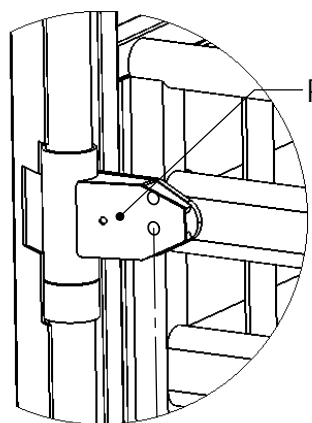
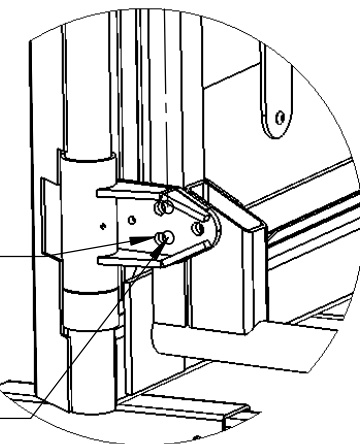


PLATE BOLT COVER

COVER REMOVED TO SHOW BOLT HOLE PLACEMENTS

USE 3 - 5/8" x 3" CARRIAGE BOLTS w/ 5/8" JAM NUTS

DETAIL A SCALE 1 : 10



DETAIL B SCALE 1 : 10

PROPRIETARY AND CONFIDENTIAL  
 THE INFORMATION CONTAINED IN THIS DRAWING IS THE SOLE PROPERTY OF REDRIVERARENAS. ANY REPRODUCTION IN PART OR AS A WHOLE WITHOUT THE WRITTEN PERMISSION OF REDRIVERARENAS IS PROHIBITED.

005 STEP FIVE - LEFT FRONT GATE

REDRIVERARENAS.COM

PHONE: 1-325-625-1900

SHEET 07

2

1

2

1

B

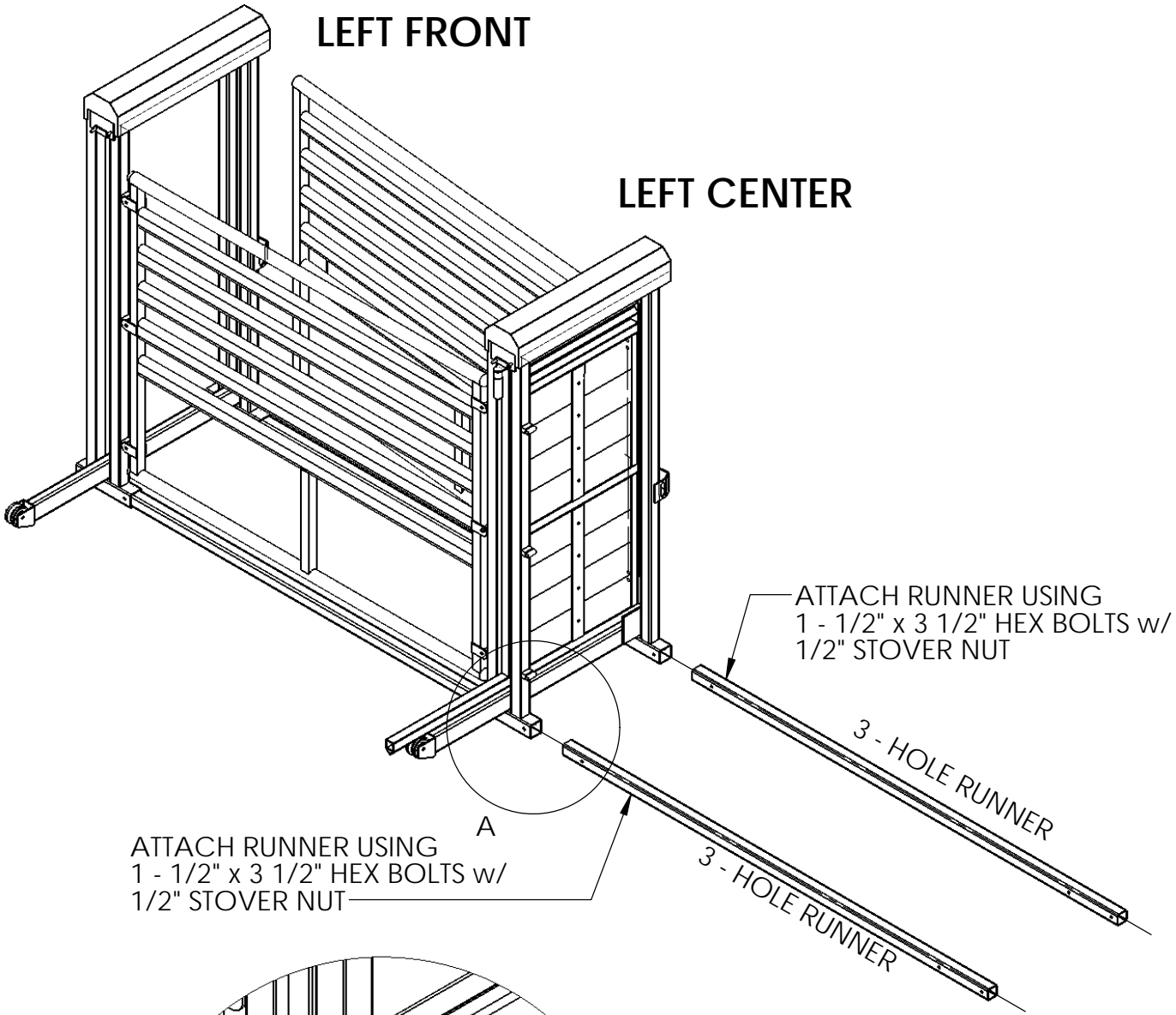
B

A

A

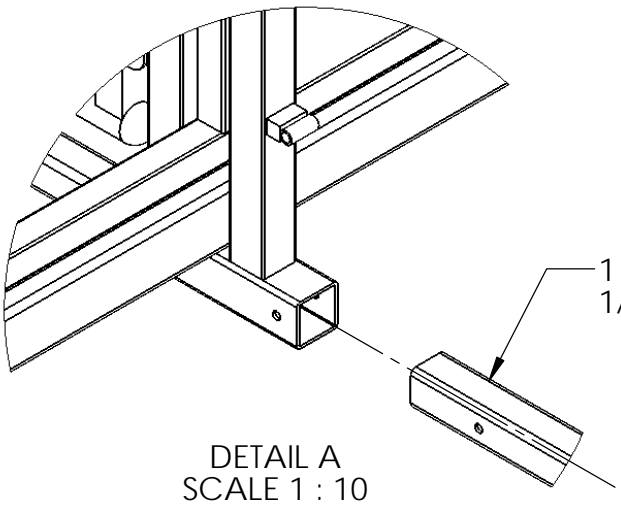
LEFT FRONT

LEFT CENTER



ATTACH RUNNER USING  
 1 - 1/2" x 3 1/2" HEX BOLTS w/  
 1/2" STOVER NUT

ATTACH RUNNER USING  
 1 - 1/2" x 3 1/2" HEX BOLTS w/  
 1/2" STOVER NUT



DETAIL A  
 SCALE 1 : 10

1 - 1/2" x 3 1/2" HEX BOLTS w/  
 1/2" STOVER NUT

**PROPRIETARY AND CONFIDENTIAL**  
 THE INFORMATION CONTAINED IN THIS DRAWING IS THE SOLE PROPERTY OF  
 REDRIVERARENAS. ANY REPRODUCTION IN PART OR AS A WHOLE WITHOUT  
 THE WRITTEN PERMISSION OF REDRIVERARENAS IS PROHIBITED.

006 STEP SIX - LEFT END RUNNERS

REDRIVERARENAS.COM

PHONE: 1-325-625-1900

SHEET 08

2

1

2

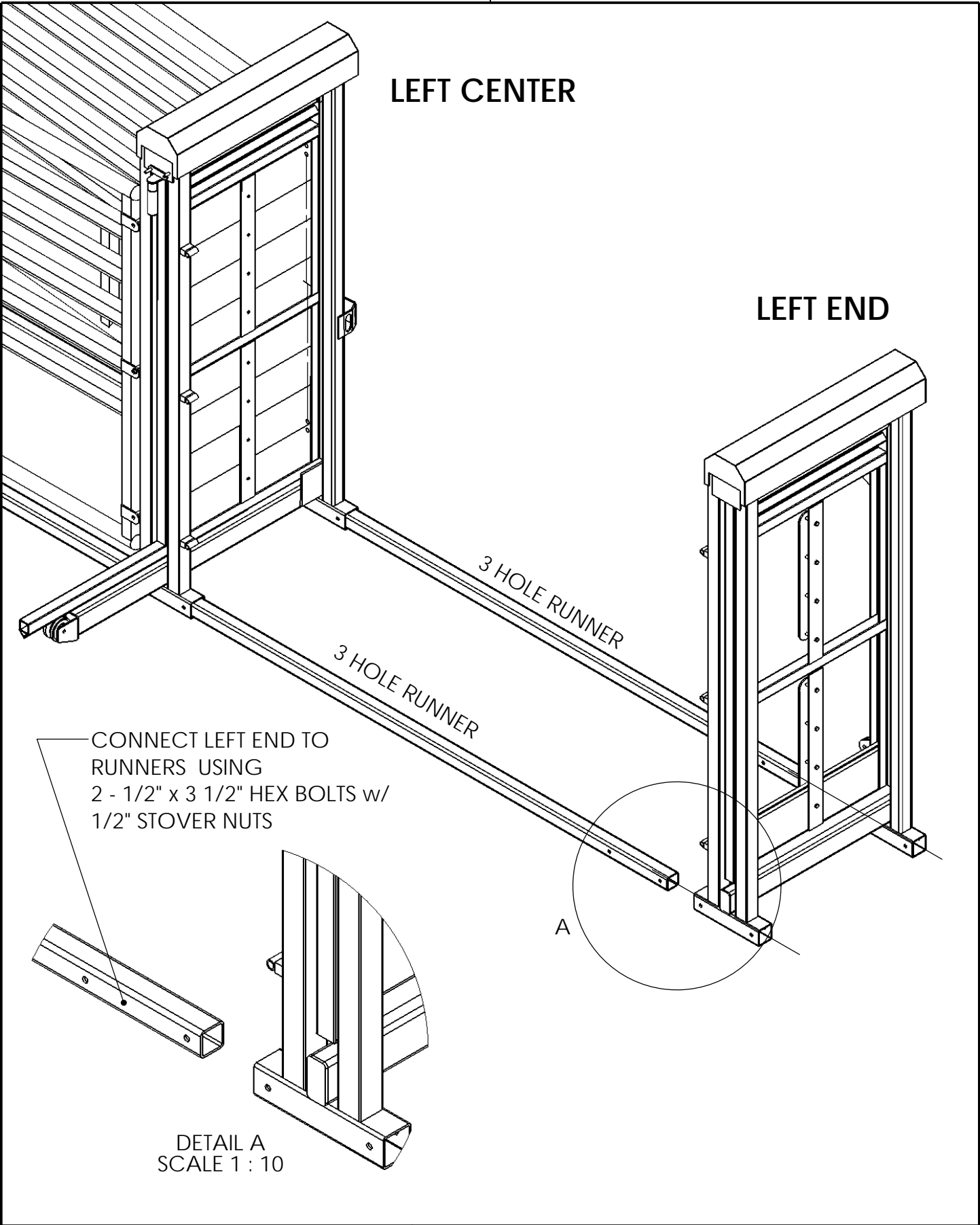
1

LEFT CENTER

LEFT END

B

B



CONNECT LEFT END TO  
 RUNNERS USING  
 2 - 1/2" x 3 1/2" HEX BOLTS w/  
 1/2" STOVER NUTS

DETAIL A  
 SCALE 1 : 10

A

A

PROPRIETARY AND CONFIDENTIAL  
 THE INFORMATION CONTAINED IN THIS DRAWING IS THE SOLE PROPERTY OF  
 REDRIVERARENAS. ANY REPRODUCTION IN PART OR AS A WHOLE WITHOUT  
 THE WRITTEN PERMISSION OF REDRIVERARENAS IS PROHIBITED.

007 STEP SEVEN - LEFT END

REDRIVERARENAS.COM

PHONE: 1-325-625-1900

SHEET 09

2

1

2

1

**BUCKING CHUTE**

B

B

A

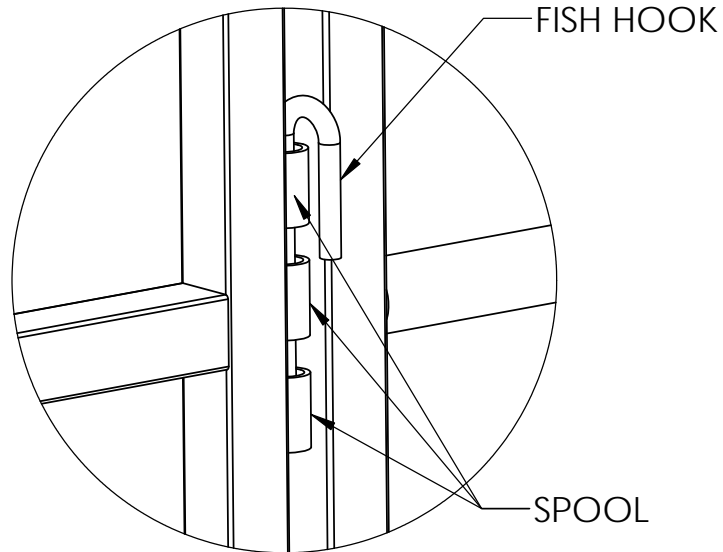
A

A

A

**PB10TSS PANELS**

**ROUGH STOCK L-SECTION**



FISH HOOK

SPOOL

**DETAIL A**

A

A

**PROPRIETARY AND CONFIDENTIAL**  
 THE INFORMATION CONTAINED IN THIS DRAWING IS THE SOLE PROPERTY OF  
 REDRIVERARENAS.COM. ANY REPRODUCTION IN PART OR AS A WHOLE WITHOUT THE WRITTEN  
 PERMISSION OF REDRIVERARENAS.COM IS PROHIBITED.

REDRIVERARENAS.COM

1.800.343.1026

**LBC200 AND L-SECTION**

DWG. NAME

SHEET 1 OF 1

2

1