



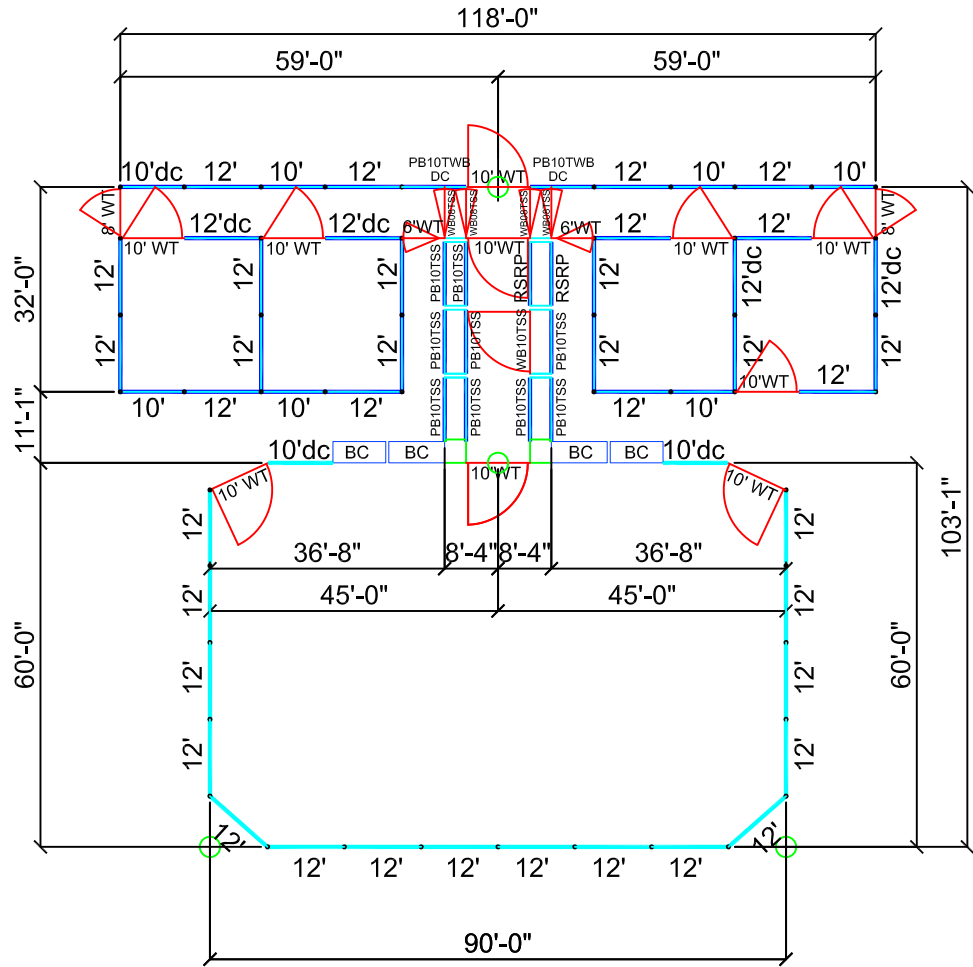
RED RIVER ARENAS.com

“Spend Less, Get More!”

800-343-1026

- 36 - 12' Panels
- 4 - 12' Panels dc
- 6 - 10' Panels
- 3 - 10' Panels dc
- 9 - (PB10TSS) 10'
- 2 - (PBTWBDC) 10'

- 2 - 6' WT Gates
- 9 - 10' WT Gates
- 2 - 8' WT Gates
- 2 - 10' RSRP
- 1 - (WBTSS) 10' WT
- 4 - (WB08TSS) 8' WT
- 4 - Bucking Chutes
- 2 - L Sections
- 6 - Slider Sections



60'x90' Bucking Arena

Scale: 1" = 30'-0"

This drawing is the property of RedRiverArenas.com. RedRiverArenas does not authorize the reproduction or conveyance of any information contained herein without prior written permission.

60' X 90' BUCKING ARENA

REDRIVERARENAS.COM

PHONE: 1-325-625-1900

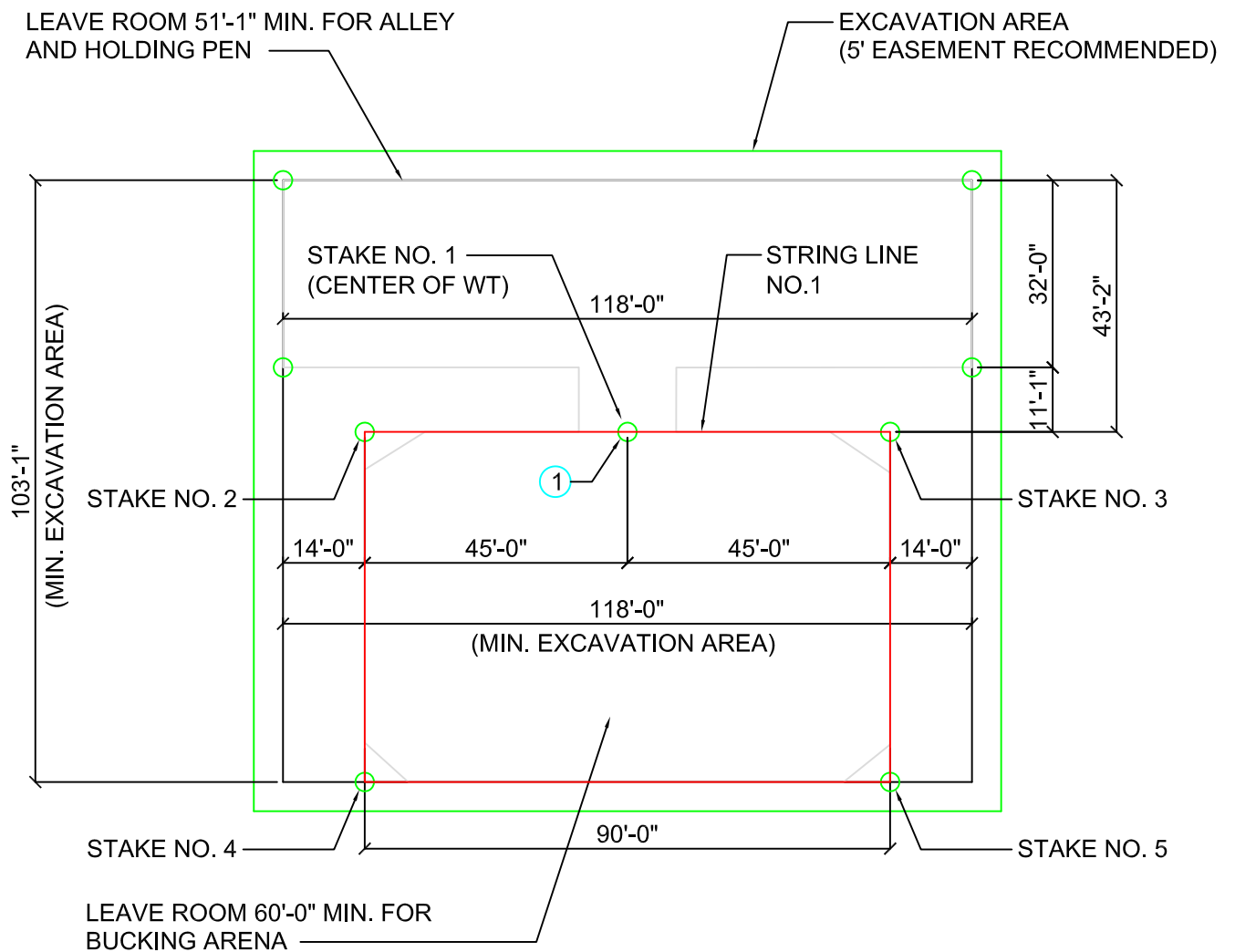
TUBE-S12-BUCKING

60' x 90' BUCKING ARENA EXCAVATION AREA

MINIMUM EXCAVATION AREA IS 106'-0" BY 118'-0"

- 1 Start by staking out the Alley Entrance (WalkThrough Gate) and Bucking Shoots (This will help in squaring off the Bucking Shoots and the overall Arena.)

NOTE: IF EXCAVATION EXCEEDS THE GIVEN DIMENSIONS OWNER WILL NEED TO COMPENSATE ACCORDINGLY



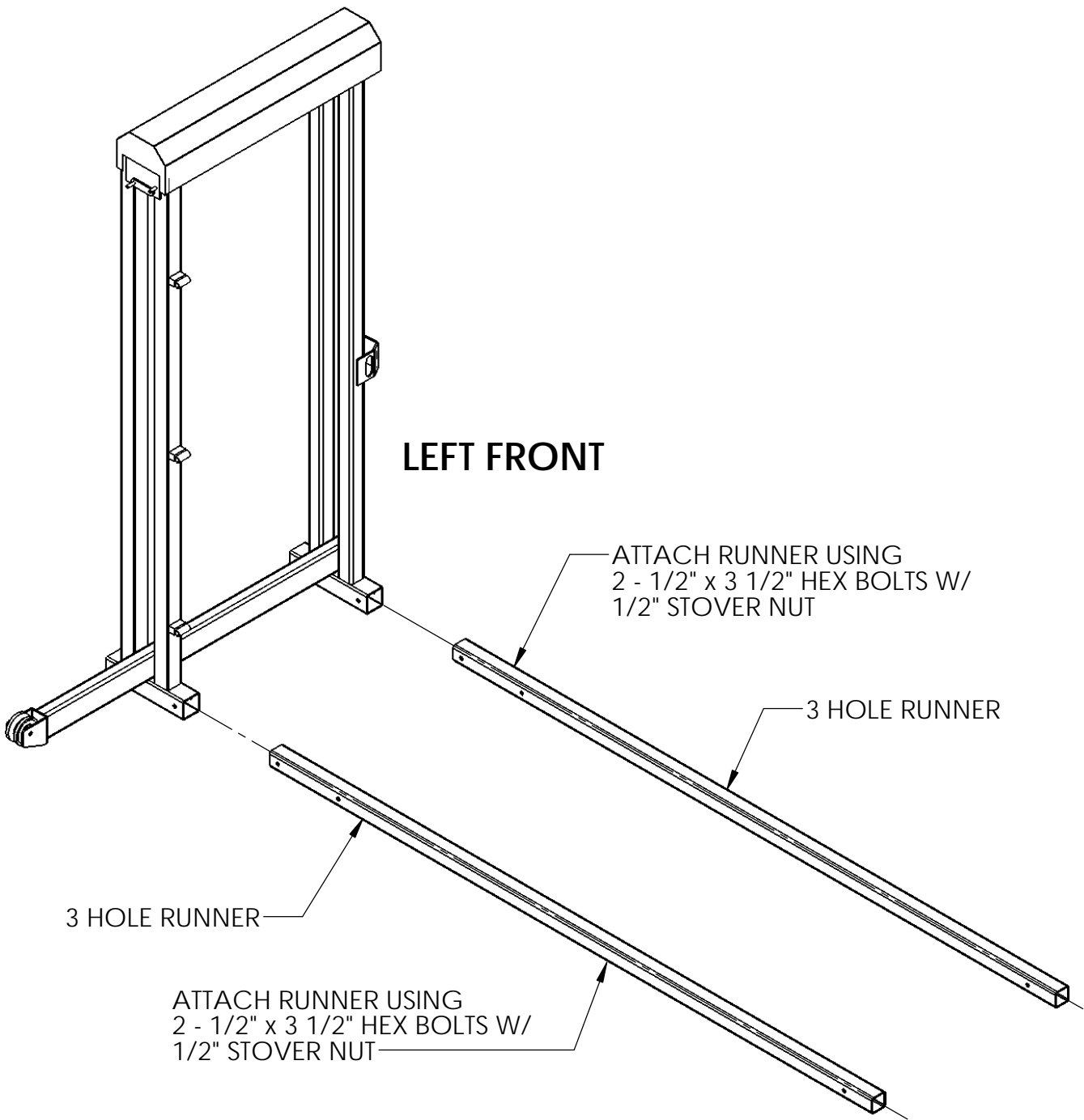
2

1

B

B

LEFT FRONT



ATTACH RUNNER USING
 2 - 1/2" x 3 1/2" HEX BOLTS W/
 1/2" STOVER NUT

3 HOLE RUNNER

3 HOLE RUNNER

ATTACH RUNNER USING
 2 - 1/2" x 3 1/2" HEX BOLTS W/
 1/2" STOVER NUT

A

A

PROPRIETARY AND CONFIDENTIAL
 THE INFORMATION CONTAINED IN THIS DRAWING IS THE SOLE PROPERTY OF REDRIVERARENAS. ANY REPRODUCTION IN PART OR AS A WHOLE WITHOUT THE WRITTEN PERMISSION OF REDRIVERARENAS IS PROHIBITED.

001 STEP ONE - LEFT FRONT

REDRIVERARENAS.COM

PHONE: 1-325-625-1900

SHEET 03

2

1

2

1

LEFT FRONT

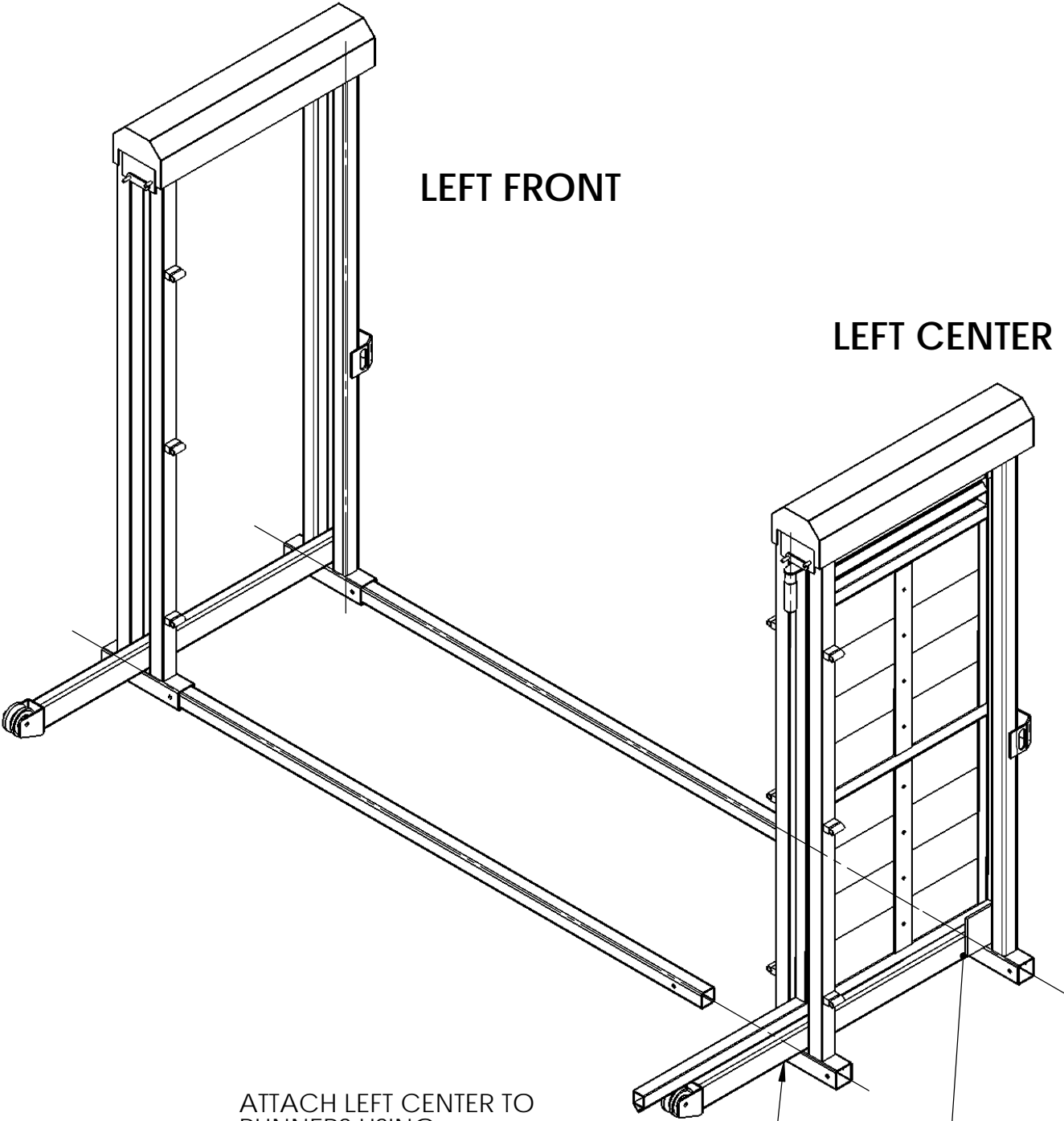
LEFT CENTER

B

B

A

A



ATTACH LEFT CENTER TO
 RUNNERS USING
 1 - 1/2" x 3 1/2" HEX BOLT W/
 1/2" STOVER NUT

ATTACH LEFT CENTER
 TO RUNNERS USING
 1 - 1/2" x 3 1/2" HEX BOLT W/
 1/2" STOVER NUT

PROPRIETARY AND CONFIDENTIAL
 THE INFORMATION CONTAINED IN THIS DRAWING IS THE SOLE PROPERTY OF
 REDRIVERARENAS. ANY REPRODUCTION IN PART OR AS A WHOLE WITHOUT
 THE WRITTEN PERMISSION OF REDRIVERARENAS IS PROHIBITED.

002 STEP ONE - LEFT CENTER

REDRIVERARENAS.COM

PHONE: 1-325-625-1900

SHEET 04

2

1

2

1

LEFT FRONT

LEFT CENTER

BACK GATE

ATTACH LEFT BACK GATE USING
6 - 1/2" x 3" CARRIAGE BOLTS W/
1/2" STOVER NUT

B

B

A

A

PROPRIETARY AND CONFIDENTIAL
THE INFORMATION CONTAINED IN THIS DRAWING IS THE SOLE PROPERTY OF REDRIVERARENAS. ANY REPRODUCTION IN PART OR AS A WHOLE WITHOUT THE WRITTEN PERMISSION OF REDRIVERARENAS IS PROHIBITED.

003 STEP THREE - BACK GATE

REDRIVERARENAS.COM

PHONE: 1-325-625-1900

SHEET 05

2

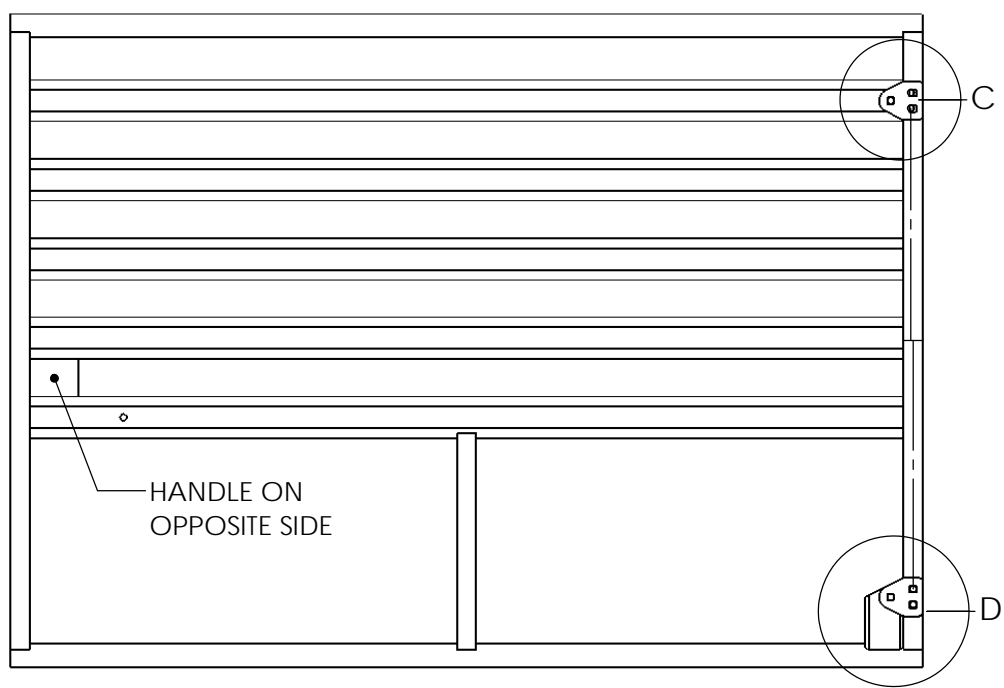
1

2

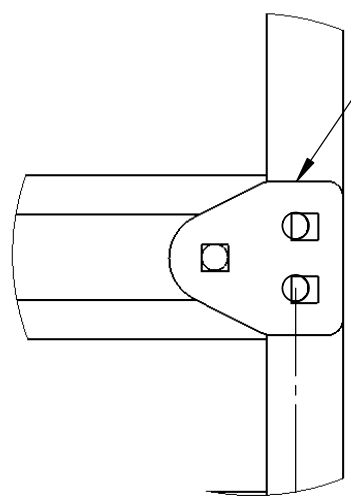
1

B

B

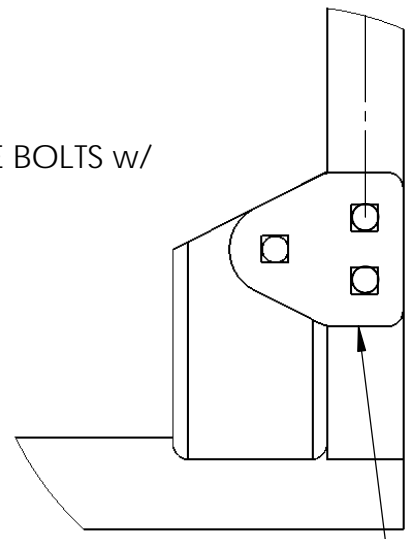


FRONT GATE BACK SIDE



WASHER PLATE w/
3 - 5/8" x 3" CARRIAGE BOLTS w/
5/8" JAM NUTS

DETAIL C
SCALE 1 : 5



WASHER PLATE w/
3 - 5/8" x 3" CARRIAGE BOLTS w/
5/8" JAM NUTS

DETAIL D
SCALE 1 : 5

A

A

2

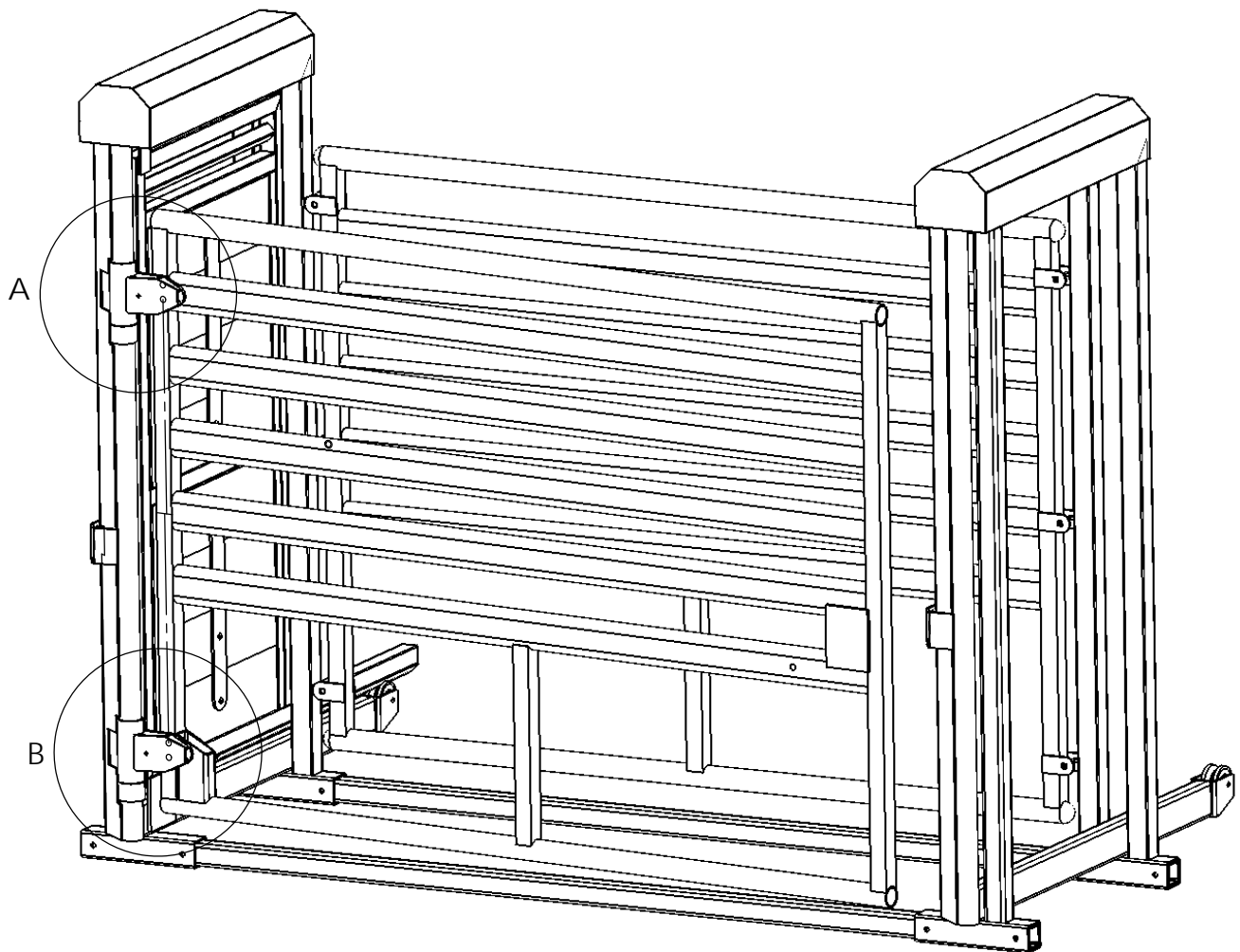
1

2

1

B

B



A

A

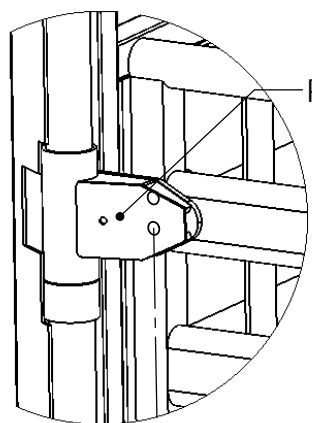
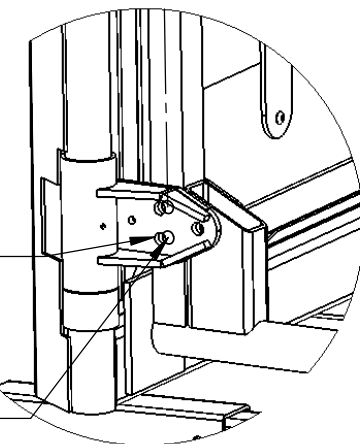


PLATE BOLT COVER

COVER REMOVED TO SHOW BOLT HOLE PLACEMENTS

USE 3 - 5/8" x 3" CARRIAGE BOLTS w/ 5/8" JAM NUTS

DETAIL A
SCALE 1 : 10



DETAIL B
SCALE 1 : 10

PROPRIETARY AND CONFIDENTIAL
 THE INFORMATION CONTAINED IN THIS DRAWING IS THE SOLE PROPERTY OF REDRIVERARENAS. ANY REPRODUCTION IN PART OR AS A WHOLE WITHOUT THE WRITTEN PERMISSION OF REDRIVERARENAS IS PROHIBITED.

005 STEP FIVE - LEFT FRONT GATE

REDRIVERARENAS.COM

PHONE: 1-325-625-1900

SHEET 07

2

1

2

1

B

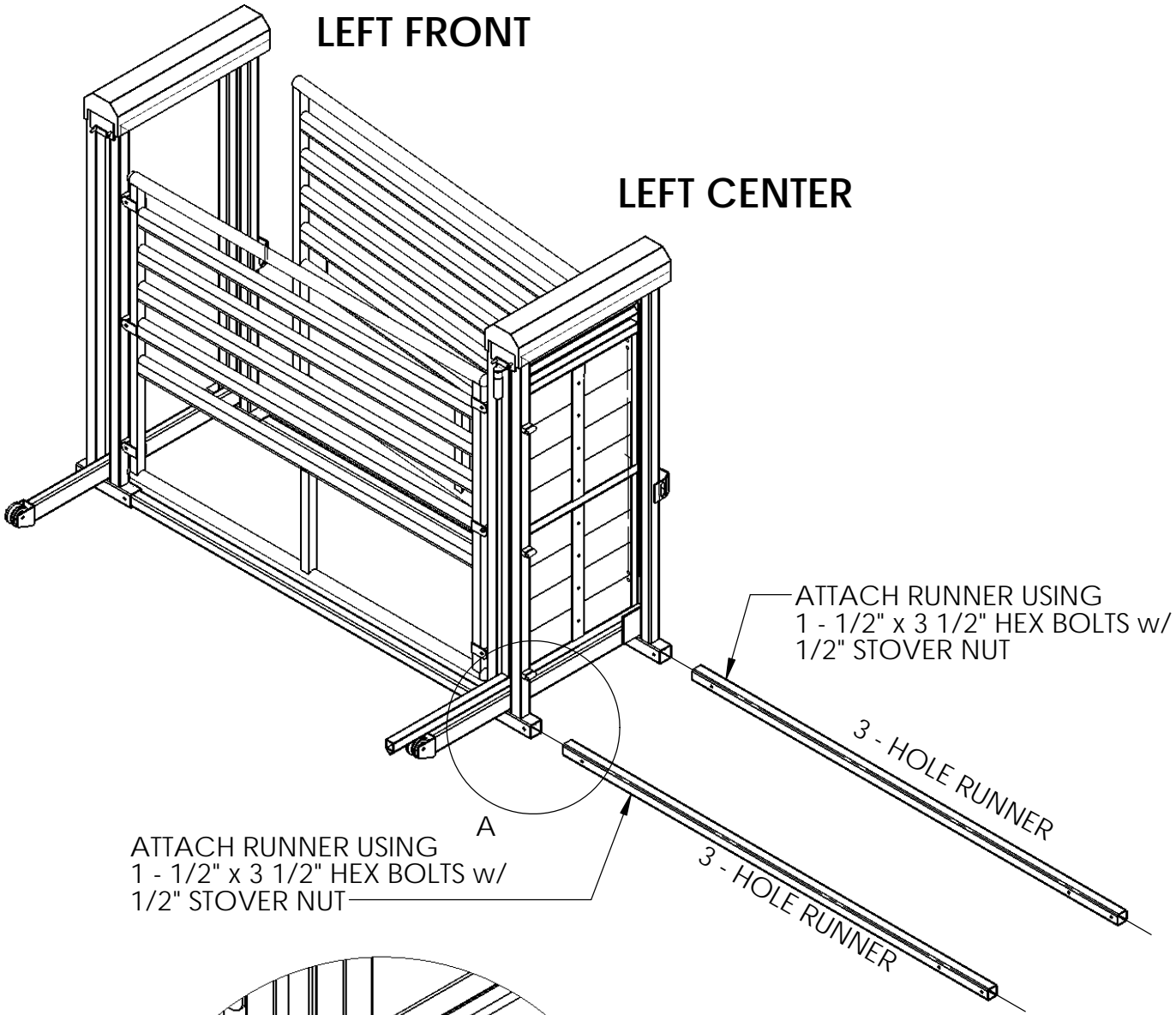
B

A

A

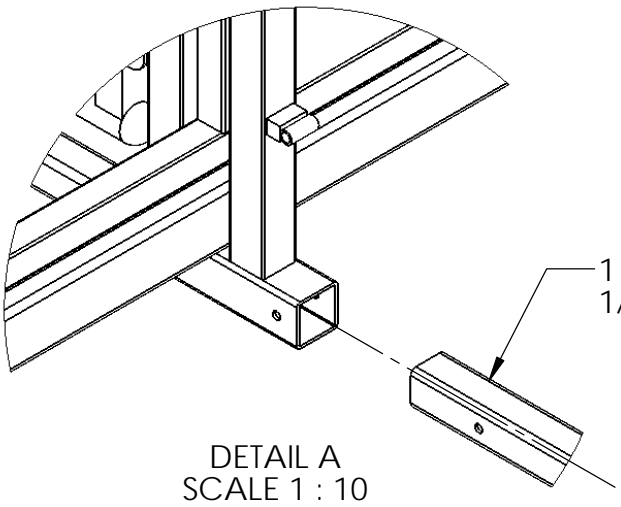
LEFT FRONT

LEFT CENTER



ATTACH RUNNER USING
 1 - 1/2" x 3 1/2" HEX BOLTS w/
 1/2" STOVER NUT

ATTACH RUNNER USING
 1 - 1/2" x 3 1/2" HEX BOLTS w/
 1/2" STOVER NUT



1 - 1/2" x 3 1/2" HEX BOLTS w/
 1/2" STOVER NUT

DETAIL A
 SCALE 1 : 10

PROPRIETARY AND CONFIDENTIAL
 THE INFORMATION CONTAINED IN THIS DRAWING IS THE SOLE PROPERTY OF
 REDRIVERARENAS. ANY REPRODUCTION IN PART OR AS A WHOLE WITHOUT
 THE WRITTEN PERMISSION OF REDRIVERARENAS IS PROHIBITED.

006 STEP SIX - LEFT END RUNNERS

REDRIVERARENAS.COM

PHONE: 1-325-625-1900

SHEET 08

2

1

2

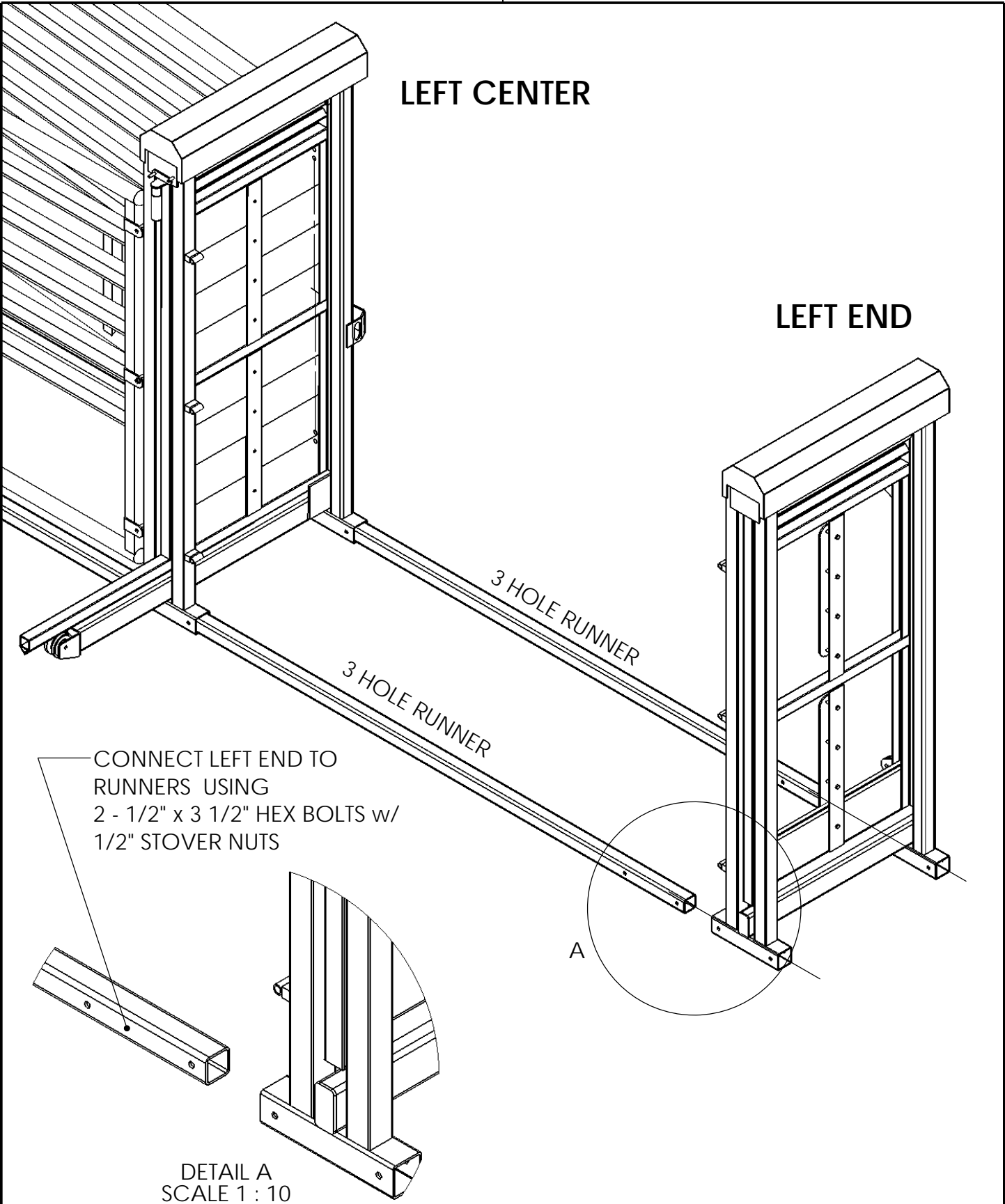
1

LEFT CENTER

LEFT END

B

B



PROPRIETARY AND CONFIDENTIAL
 THE INFORMATION CONTAINED IN THIS DRAWING IS THE SOLE PROPERTY OF REDRIVERARENAS. ANY REPRODUCTION IN PART OR AS A WHOLE WITHOUT THE WRITTEN PERMISSION OF REDRIVERARENAS IS PROHIBITED.

007 STEP SEVEN - LEFT END

REDRIVERARENAS.COM

PHONE: 1-325-625-1900

SHEET 09

2

1

2

1

BUCKING CHUTE

B

B

A

A

A

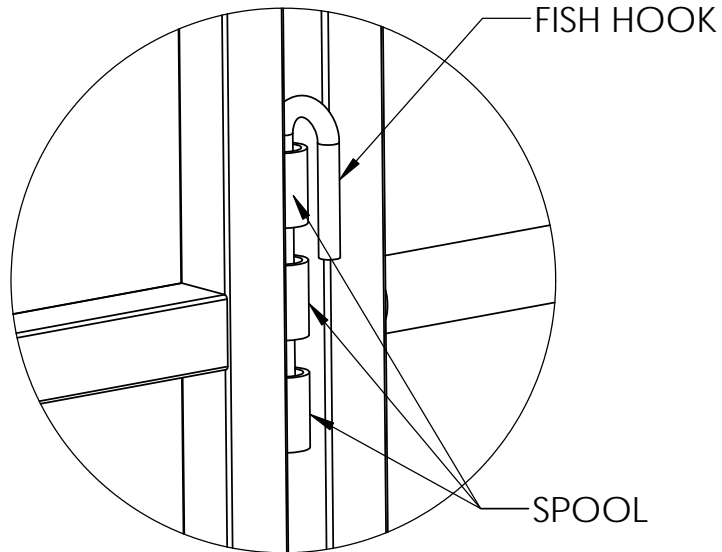
A

PB10TSS PANELS

ROUGH STOCK L-SECTION

A

A



DETAIL A

PROPRIETARY AND CONFIDENTIAL
 THE INFORMATION CONTAINED IN THIS DRAWING IS THE SOLE PROPERTY OF
 REDRIVERARENAS.COM. ANY REPRODUCTION IN PART OR AS A WHOLE WITHOUT THE WRITTEN
 PERMISSION OF REDRIVERARENAS.COM IS PROHIBITED.

REDRIVERARENAS.COM

1.800.343.1026

LBC200 AND L-SECTION

DWG. NAME

SHEET 1 OF 1

2

1