

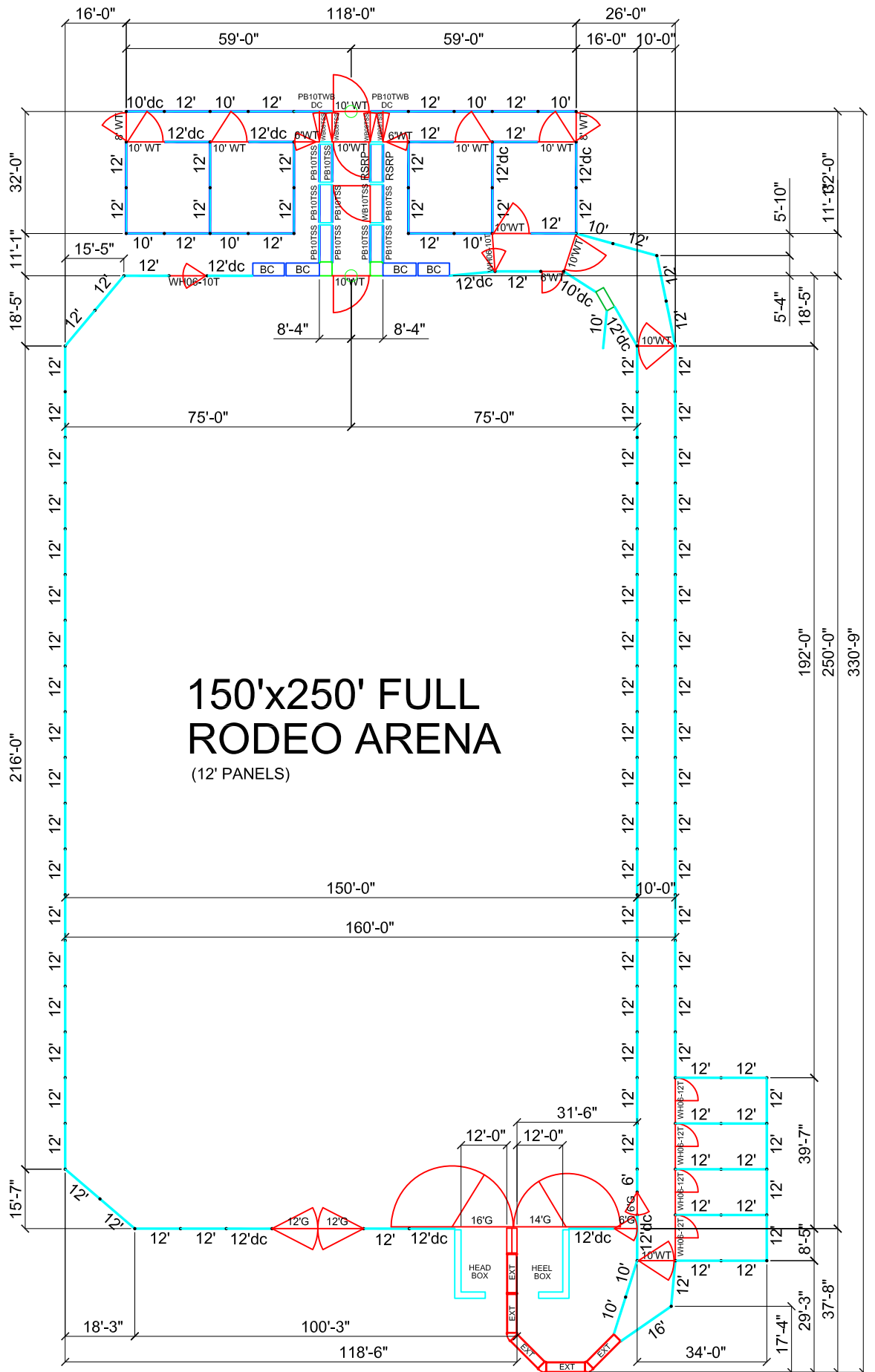
RED RIVER ARENAS.com

“Spend Less, Get More!”

800-343-1026

- PBT SERIES PANELS
- 20 - (PBT) 12' Panels
- 4 - (PBT) 12' Panels dc
- 6 - (PBT) 10' Panels
- 1 - (PBT) 10' Panels dc
- 2 - (PBTWB) 10' Panels dc
- 9 - (PBTSS) 10' Panels dc
- 2 - (PBT) RSRP
- 2 - (WBT) 6' WT
- 2 - (WBT) 8' WT
- 8 - (WBT) 10' WT
- 1 - (WBTSS) 10' WT
- 4 - (WBTSS) 8' WT
- 4 - Bucking Chutes
- 2 - L Sections
- 6 - Slider Sections
- PHT SERIES PANELS
- 79 - (PHT) 12' Panels
- 6 - (PHT) 12' Panels dc
- 4 - (PHT) 10' Panels
- 1 - (PHT) 10' Panels dc
- 1 - (PHT) 16' Panels dc
- 2 - (PHT) 6' Panels dc
- 3 - (WHT) 10' WT
- 1 - (WHT) 6' WT
- 1 - WH06-10T
- 4 - WH06-12T
 - 1 - 16' Gate
 - 1 - 14' Gate
 - 2 - 12' Gate
 - 4 - 6' Gate
- 1 - Roping Chute
- 1 - Stripping Chute
- 5 - Extensions
- 3 - 45 Sections
- 26 - 3" U-Bars
 - 1 - Set of Head/Heel Boxes
- 147 - Posts

- 104 - PB CLAMP
- 6 - PB TO PH SWIVEL
- 4 - PB TO PH
- 64 - J-HOOKS
- 172 - PH CLAMP
- 36 - PH CLAMP SWIVEL



This drawing is the property of RedRiverArenas.com. RedRiverArenas does not authorize the reproduction or conveyance of any information contained herein without prior written permission.

150' X 250' FULL RODEO ARENA

REDRIVERARENAS.COM

PHONE : 1-325-625-1900

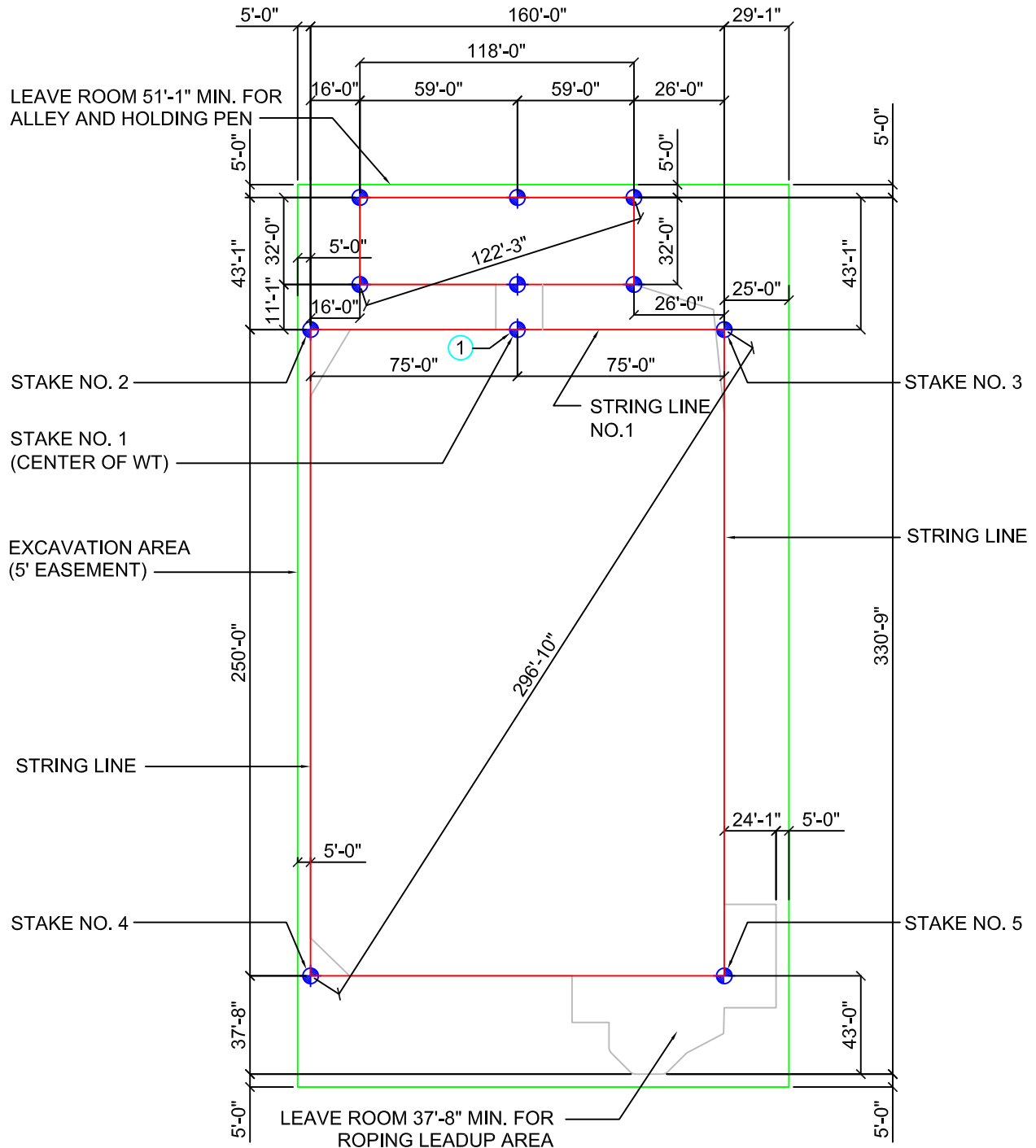
TUBE-S12-FULL

150' x 250' FULL RODEO ARENA EXCAVATION AREA

MINIMUM EXCAVATION AREA IS 190'-0" BY 349'-1"

- 1 Start by staking out the Alley Entrance (WalkThrough Gate) and Bucking Shoots (This will help in squaring off the Bucking Shoots and the overall Arena.)

NOTE: IF EXCAVATION EXCEEDS THE GIVEN DIMENSIONS OWNER WILL NEED TO COMPENSATE ACCORDINGLY



This drawing is the property of RedRiverArenas.com
RedRiverArenas does not authorize the reproduction or
conveyance of any information contained herein
without prior written permission.

DIMENSIONS

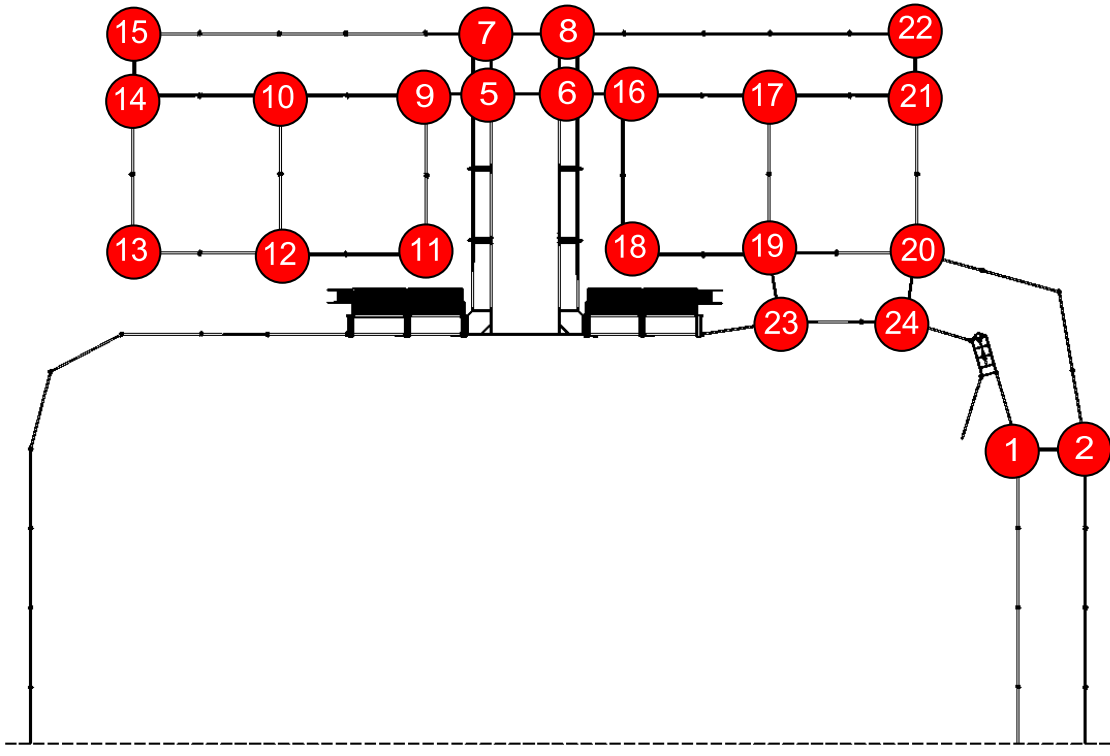
REDRIVERARENAS.COM

PHONE : 1-325-625-1900

TUBE-S12-BUCKING

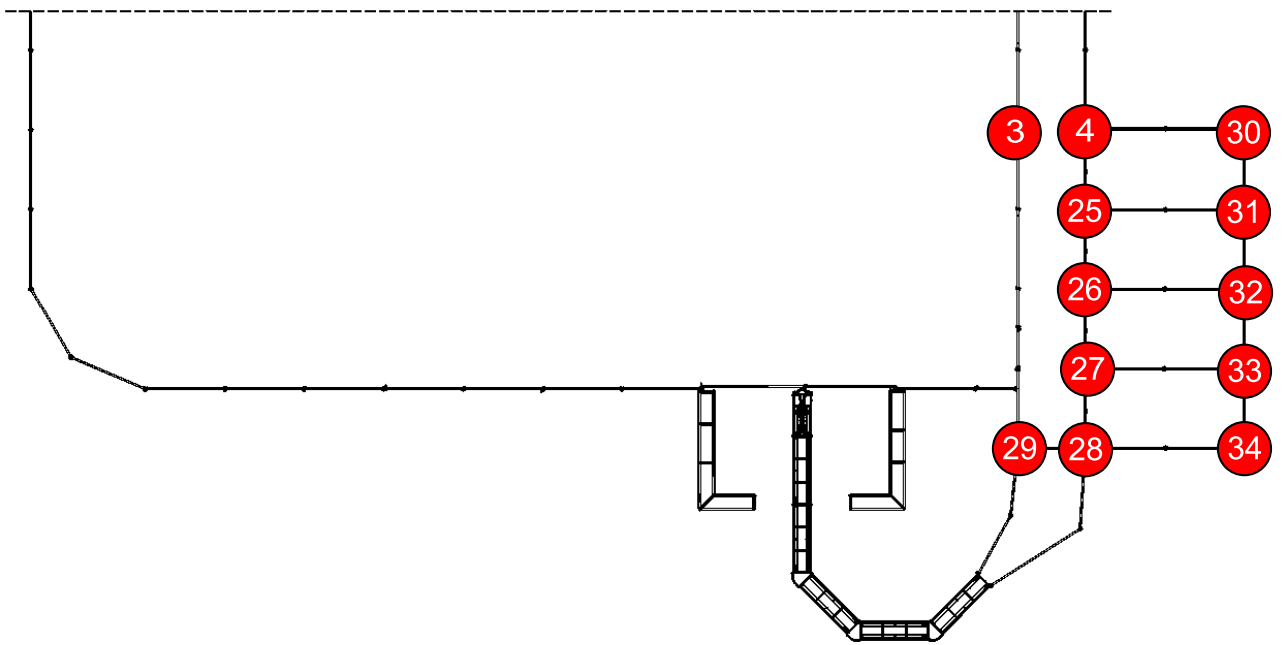
2

1



B

B



A

A

PROPRIETARY AND CONFIDENTIAL
 THE INFORMATION CONTAINED IN THIS DRAWING IS THE SOLE PROPERTY OF
 REDRIVERARENAS.COM. ANY REPRODUCTION IN PART OR AS A WHOLE WITHOUT THE WRITTEN
 PERMISSION OF REDRIVERARENAS.COM IS PROHIBITED.

REDRIVERARENAS.COM

DWG. NAME:
150X250 FULL RODEO ARENA
 1.800.343.1026

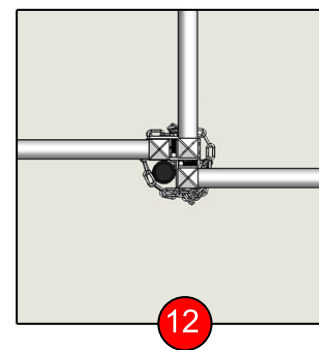
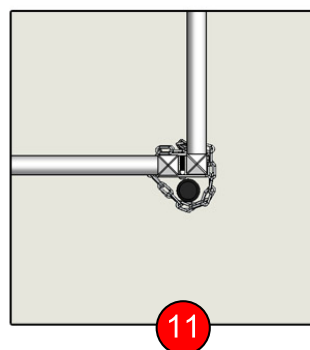
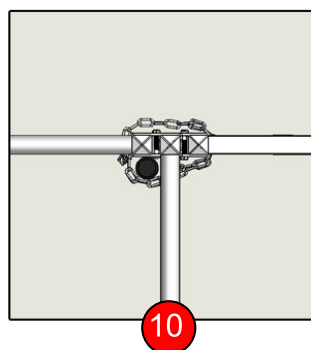
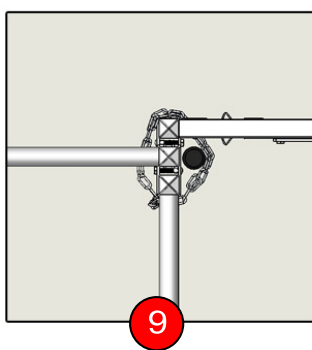
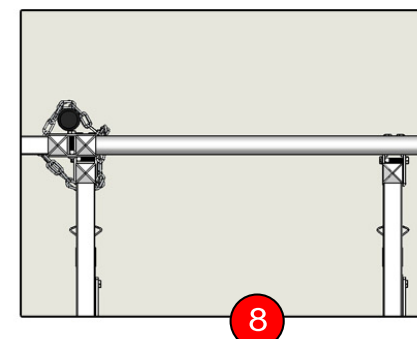
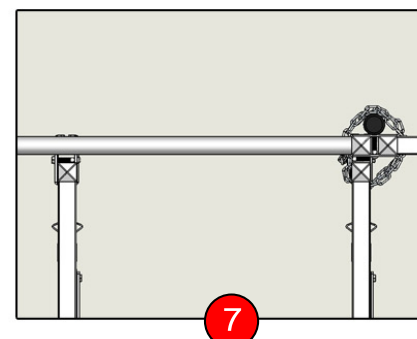
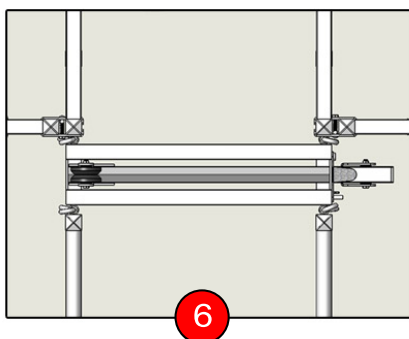
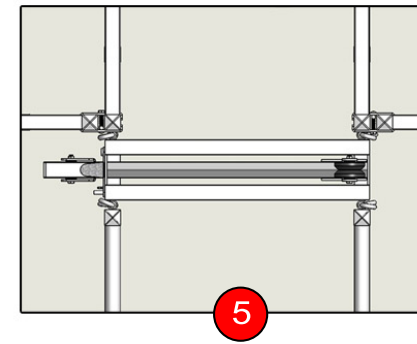
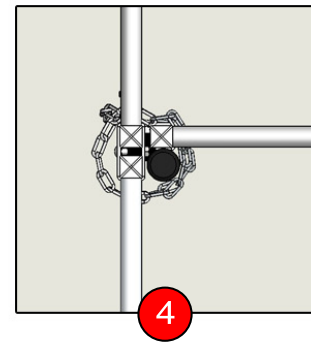
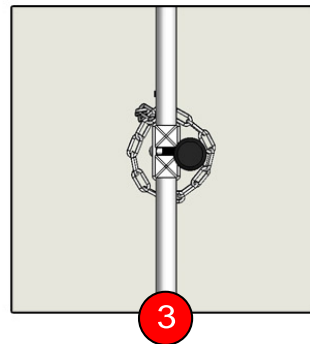
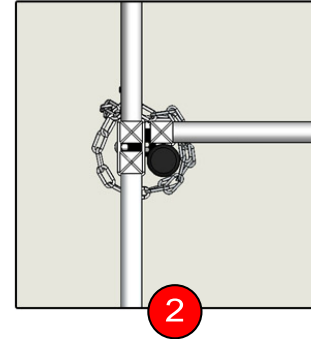
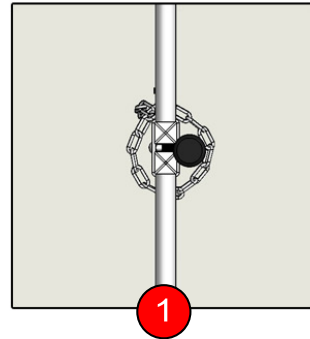
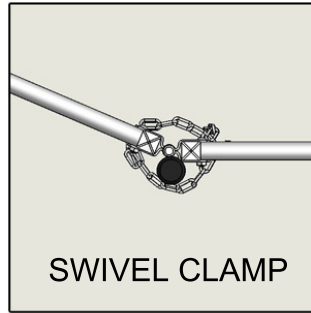
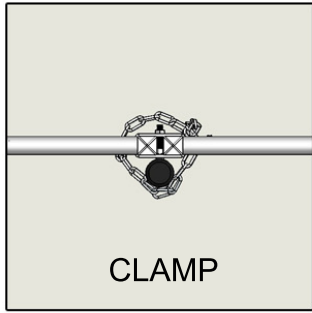
SHEET 1 OF 1

2

1

2

1



B

B

A

A

2

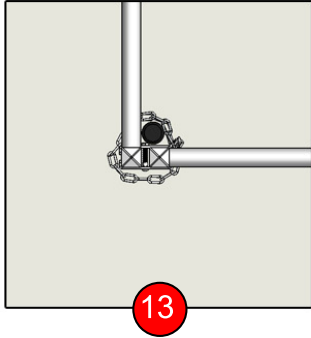
1

2

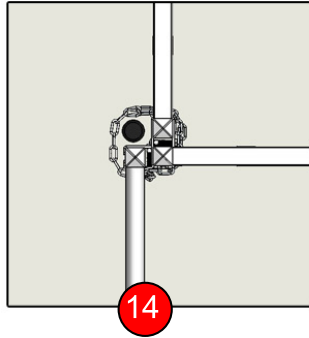
1

B

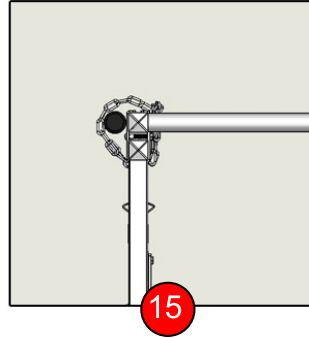
B



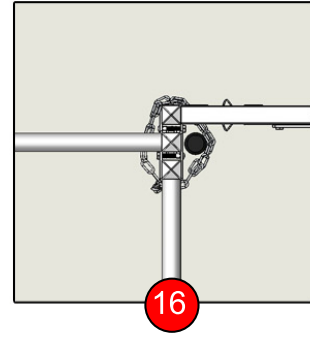
13



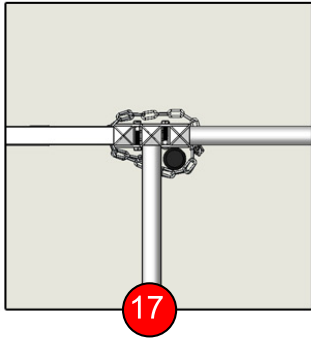
14



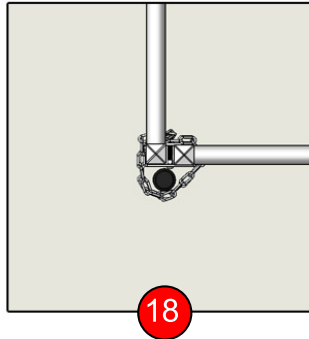
15



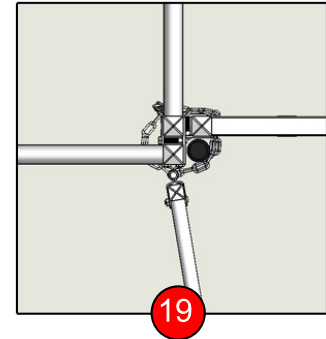
16



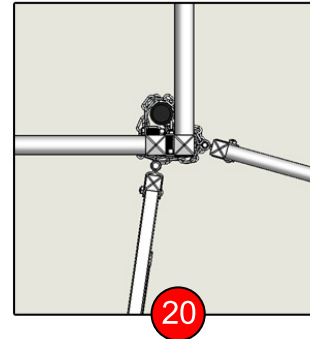
17



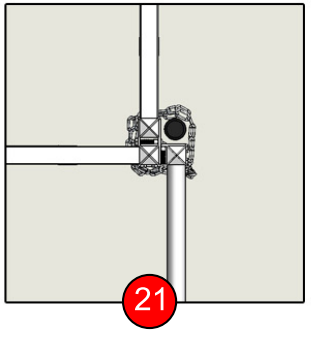
18



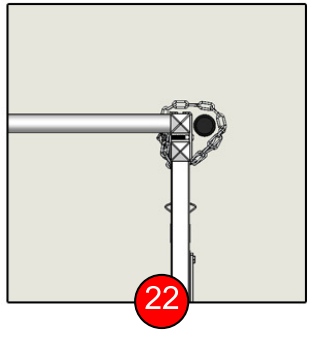
19



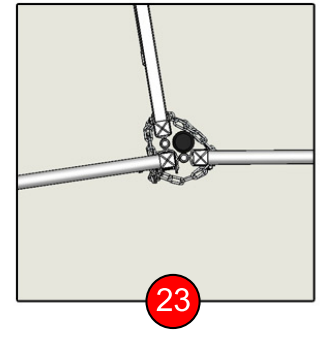
20



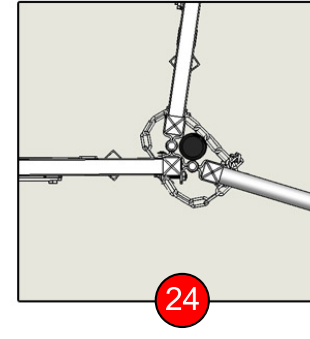
21



22



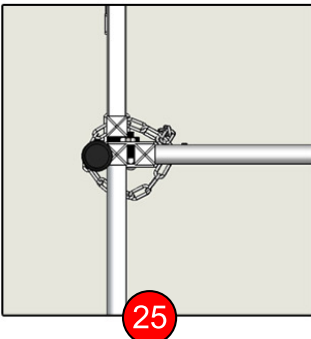
23



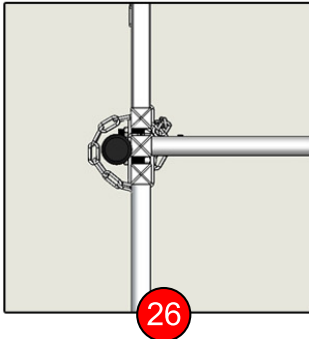
24

A

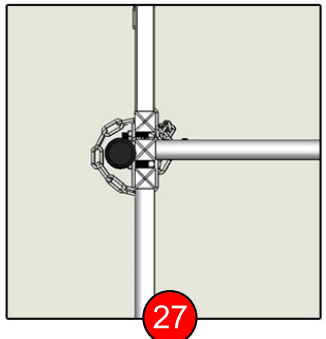
A



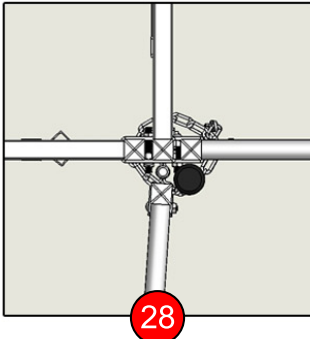
25



26



27



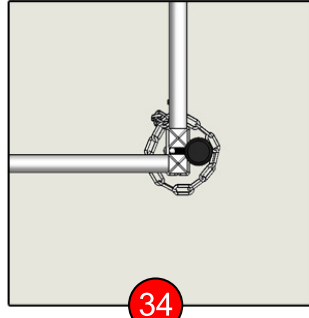
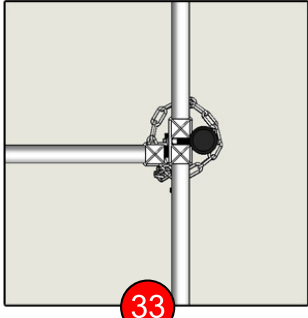
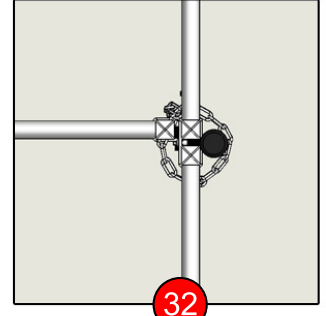
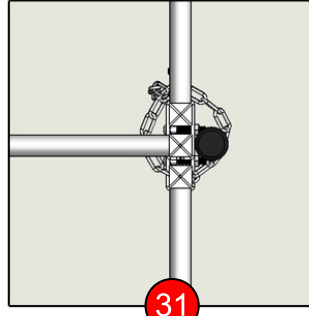
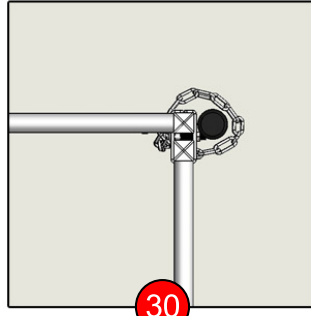
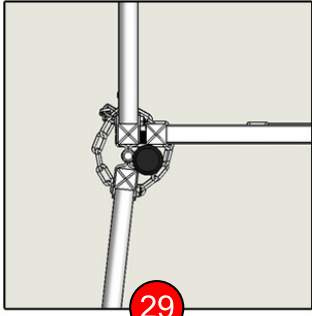
28

2

1

2

1



B

B

A

A

PROPRIETARY AND CONFIDENTIAL
 THE INFORMATION CONTAINED IN THIS DRAWING IS THE SOLE PROPERTY OF
 REDRIVERARENAS.COM. ANY REPRODUCTION IN PART OR AS A WHOLE WITHOUT THE WRITTEN
 PERMISSION OF REDRIVERARENAS.COM IS PROHIBITED.

REDRIVERARENAS.COM

DWG. NAME:
150X250 FULL RODEO ARENA
 1.800.343.1026

SHEET 1 OF 1

2

1

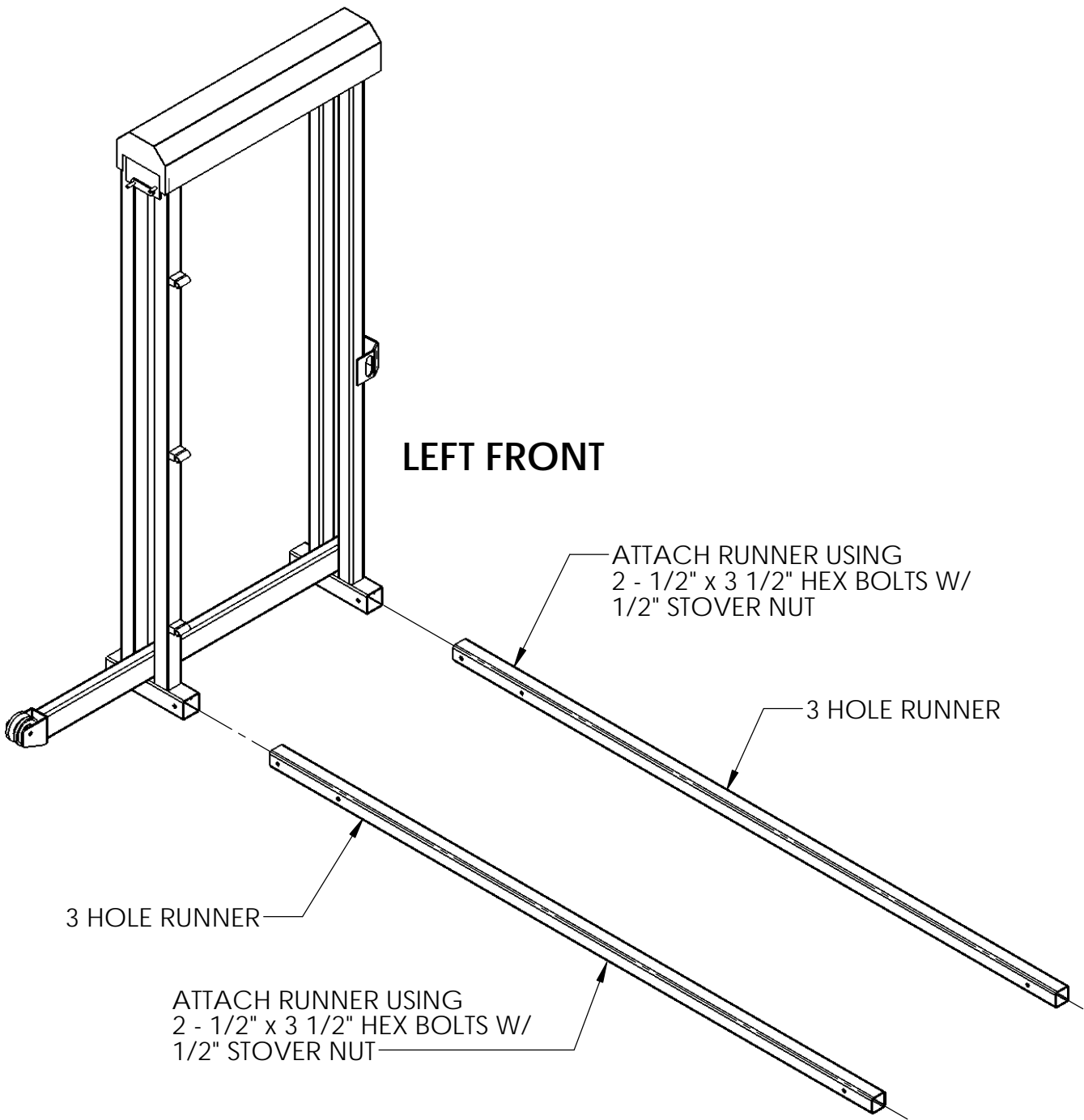
2

1

B

B

LEFT FRONT



3 HOLE RUNNER

ATTACH RUNNER USING
2 - 1/2" x 3 1/2" HEX BOLTS W/
1/2" STOVER NUT

3 HOLE RUNNER

ATTACH RUNNER USING
2 - 1/2" x 3 1/2" HEX BOLTS W/
1/2" STOVER NUT

A

A

PROPRIETARY AND CONFIDENTIAL
 THE INFORMATION CONTAINED IN THIS DRAWING IS THE SOLE PROPERTY OF REDRIVERARENAS. ANY REPRODUCTION IN PART OR AS A WHOLE WITHOUT THE WRITTEN PERMISSION OF REDRIVERARENAS IS PROHIBITED.

001 STEP ONE - LEFT FRONT

REDRIVERARENAS.COM

PHONE: 1-325-625-1900

SHEET 03

2

1

2

1

LEFT FRONT

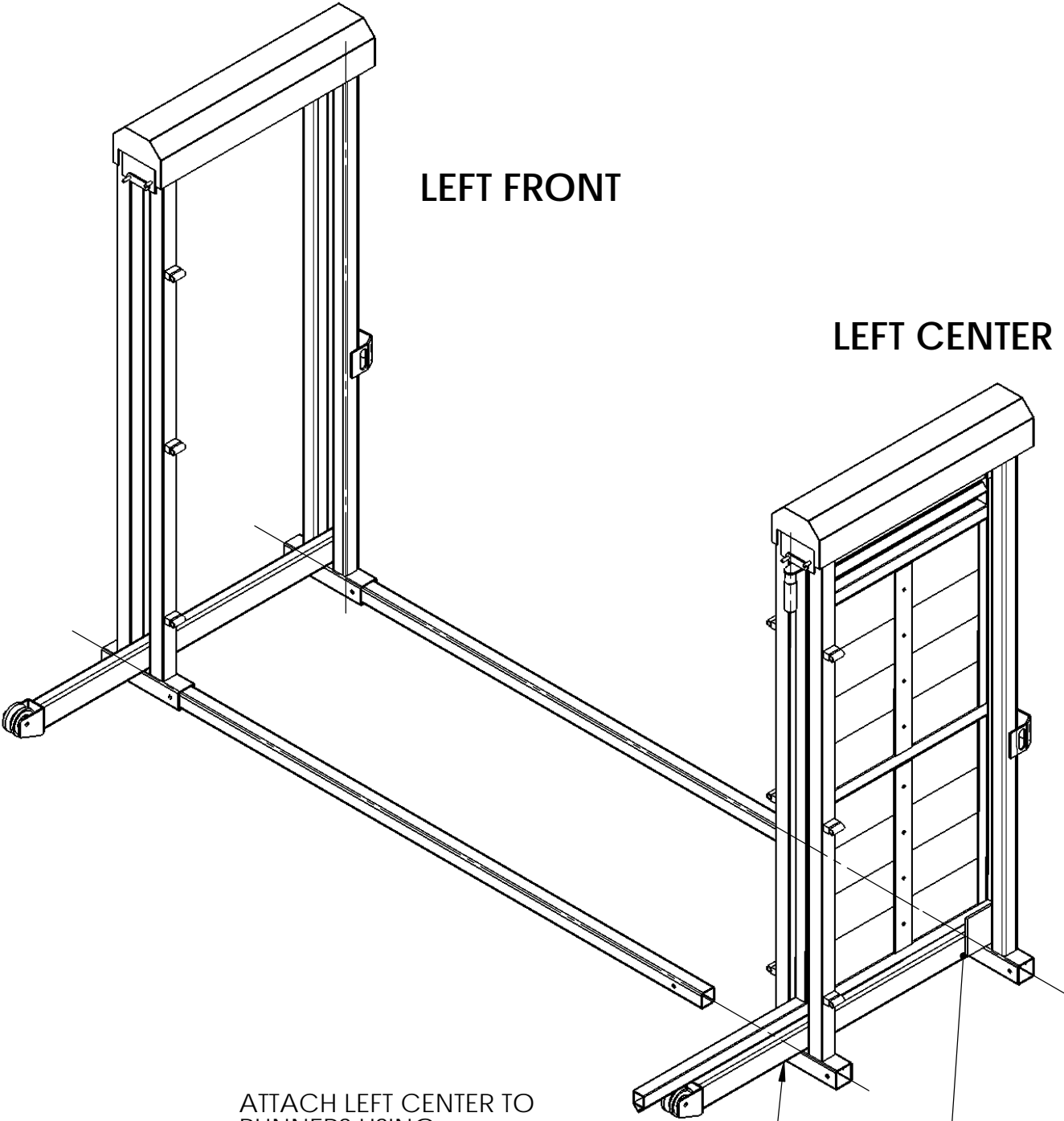
LEFT CENTER

B

B

A

A



ATTACH LEFT CENTER TO
 RUNNERS USING
 1 - 1/2" x 3 1/2" HEX BOLT W/
 1/2" STOVER NUT

ATTACH LEFT CENTER
 TO RUNNERS USING
 1 - 1/2" x 3 1/2" HEX BOLT W/
 1/2" STOVER NUT

PROPRIETARY AND CONFIDENTIAL
 THE INFORMATION CONTAINED IN THIS DRAWING IS THE SOLE PROPERTY OF
 REDRIVERARENAS. ANY REPRODUCTION IN PART OR AS A WHOLE WITHOUT
 THE WRITTEN PERMISSION OF REDRIVERARENAS IS PROHIBITED.

002 STEP ONE - LEFT CENTER

REDRIVERARENAS.COM

PHONE: 1-325-625-1900

SHEET 04

2

1

2

1

LEFT FRONT

LEFT CENTER

BACK GATE

ATTACH LEFT BACK GATE USING
6 - 1/2" x 3" CARRIAGE BOLTS W/
1/2" STOVER NUT

B

B

A

A

PROPRIETARY AND CONFIDENTIAL
THE INFORMATION CONTAINED IN THIS DRAWING IS THE SOLE PROPERTY OF REDRIVERARENAS. ANY REPRODUCTION IN PART OR AS A WHOLE WITHOUT THE WRITTEN PERMISSION OF REDRIVERARENAS IS PROHIBITED.

003 STEP THREE - BACK GATE

REDRIVERARENAS.COM

PHONE: 1-325-625-1900

SHEET 05

2

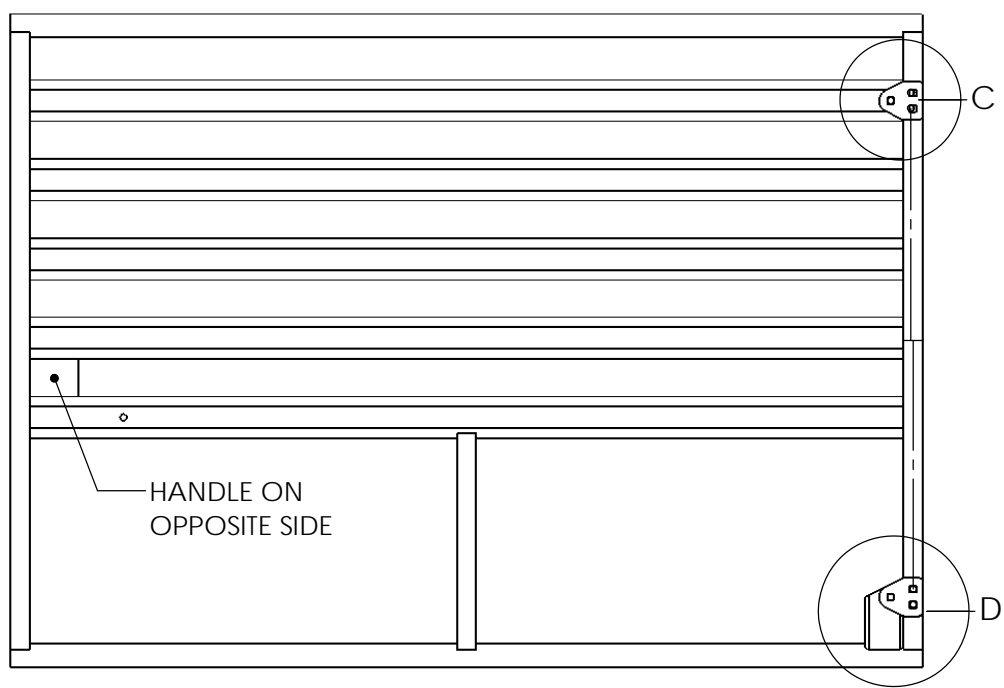
1

2

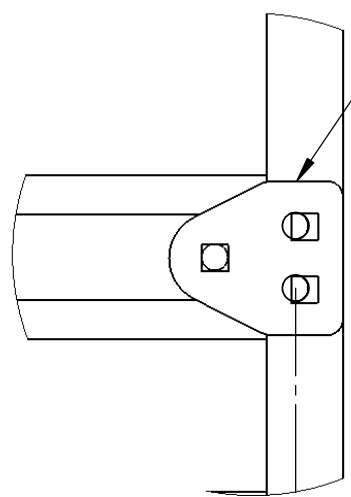
1

B

B

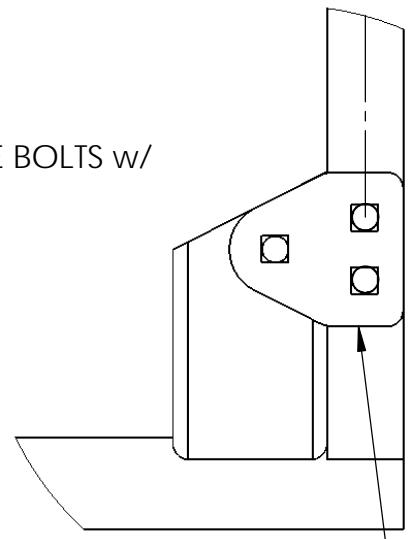


FRONT GATE BACK SIDE



WASHER PLATE w/
3 - 5/8" x 3" CARRIAGE BOLTS w/
5/8" JAM NUTS

DETAIL C
SCALE 1 : 5



WASHER PLATE w/
3 - 5/8" x 3" CARRIAGE BOLTS w/
5/8" JAM NUTS

DETAIL D
SCALE 1 : 5

A

A

2

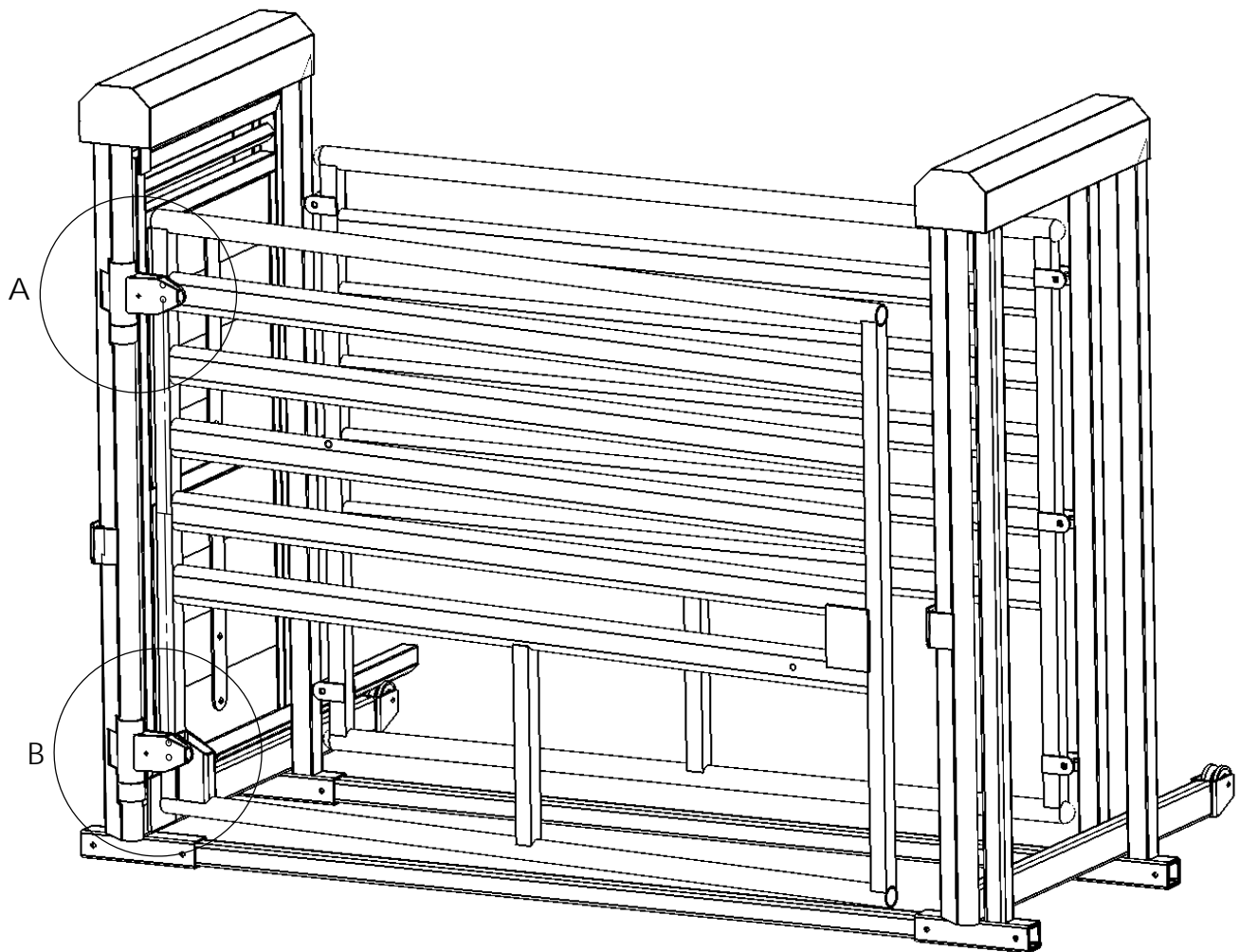
1

2

1

B

B



A

A

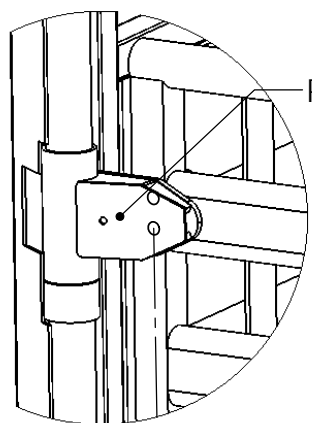
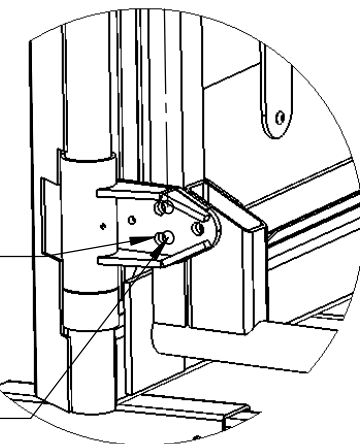


PLATE BOLT COVER

COVER REMOVED TO SHOW BOLT HOLE PLACEMENTS

USE 3 - 5/8" x 3" CARRIAGE BOLTS w/ 5/8" JAM NUTS

DETAIL A
SCALE 1 : 10



DETAIL B
SCALE 1 : 10

PROPRIETARY AND CONFIDENTIAL
 THE INFORMATION CONTAINED IN THIS DRAWING IS THE SOLE PROPERTY OF REDRIVERARENAS. ANY REPRODUCTION IN PART OR AS A WHOLE WITHOUT THE WRITTEN PERMISSION OF REDRIVERARENAS IS PROHIBITED.

005 STEP FIVE - LEFT FRONT GATE

REDRIVERARENAS.COM

PHONE: 1-325-625-1900

SHEET 07

2

1

2

1

B

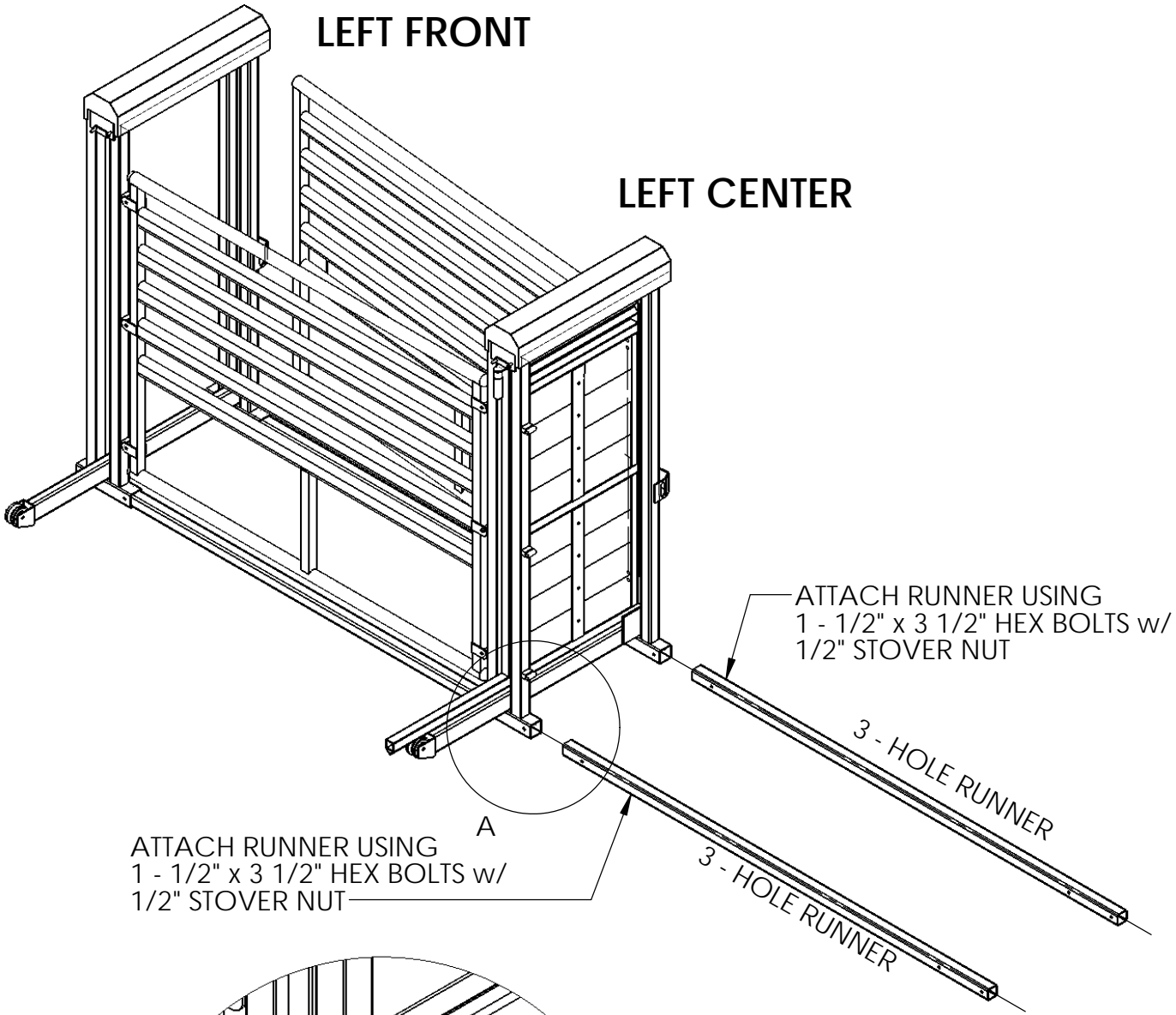
B

A

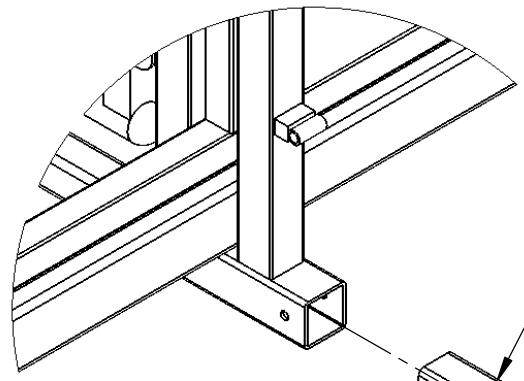
A

LEFT FRONT

LEFT CENTER



ATTACH RUNNER USING
1 - 1/2" x 3 1/2" HEX BOLTS w/
1/2" STOVER NUT



DETAIL A
SCALE 1 : 10

1 - 1/2" x 3 1/2" HEX BOLTS w/
1/2" STOVER NUT

PROPRIETARY AND CONFIDENTIAL
THE INFORMATION CONTAINED IN THIS DRAWING IS THE SOLE PROPERTY OF REDRIVERARENAS. ANY REPRODUCTION IN PART OR AS A WHOLE WITHOUT THE WRITTEN PERMISSION OF REDRIVERARENAS IS PROHIBITED.

006 STEP SIX - LEFT END RUNNERS

REDRIVERARENAS.COM

PHONE: 1-325-625-1900

SHEET 08

2

1

2

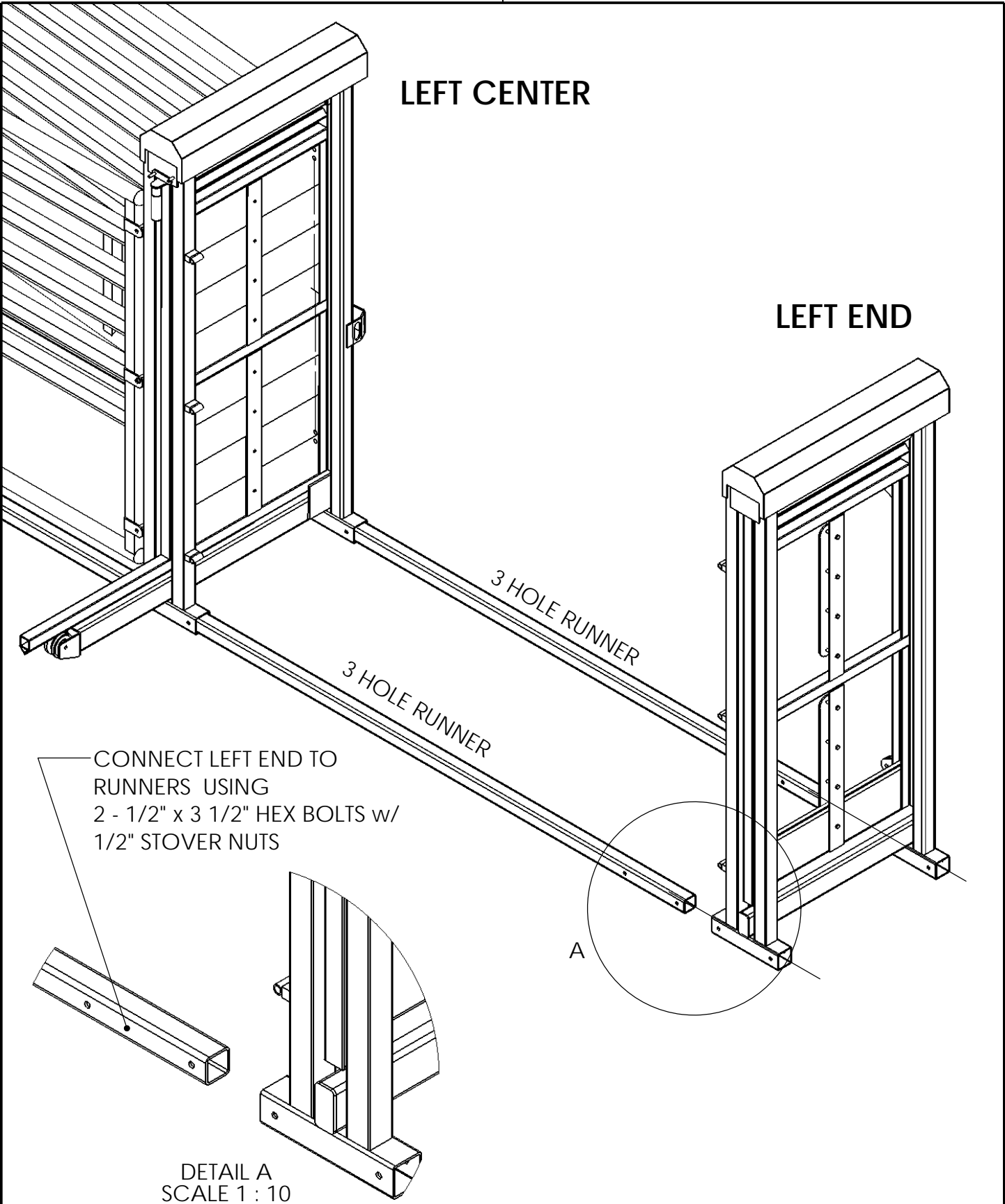
1

LEFT CENTER

LEFT END

B

B



A

A

PROPRIETARY AND CONFIDENTIAL
 THE INFORMATION CONTAINED IN THIS DRAWING IS THE SOLE PROPERTY OF REDRIVERARENAS. ANY REPRODUCTION IN PART OR AS A WHOLE WITHOUT THE WRITTEN PERMISSION OF REDRIVERARENAS IS PROHIBITED.

007 STEP SEVEN - LEFT END

REDRIVERARENAS.COM

PHONE: 1-325-625-1900

SHEET 09

2

1

2

1

BUCKING CHUTE

B

B

A

A

A

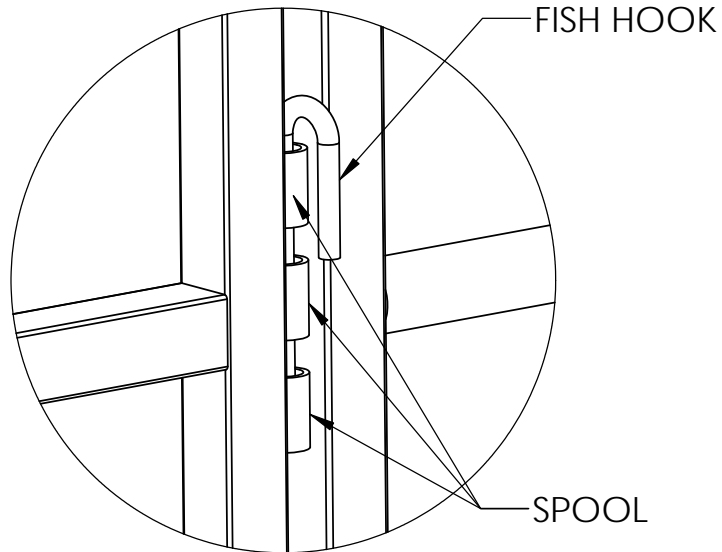
A

PB10TSS PANELS

ROUGH STOCK L-SECTION

A

A



FISH HOOK

SPOOL

DETAIL A

PROPRIETARY AND CONFIDENTIAL
 THE INFORMATION CONTAINED IN THIS DRAWING IS THE SOLE PROPERTY OF
 REDRIVERARENAS.COM. ANY REPRODUCTION IN PART OR AS A WHOLE WITHOUT THE WRITTEN
 PERMISSION OF REDRIVERARENAS.COM IS PROHIBITED.

REDRIVERARENAS.COM

1.800.343.1026

DWG. NAME
LBC200 AND L-SECTION

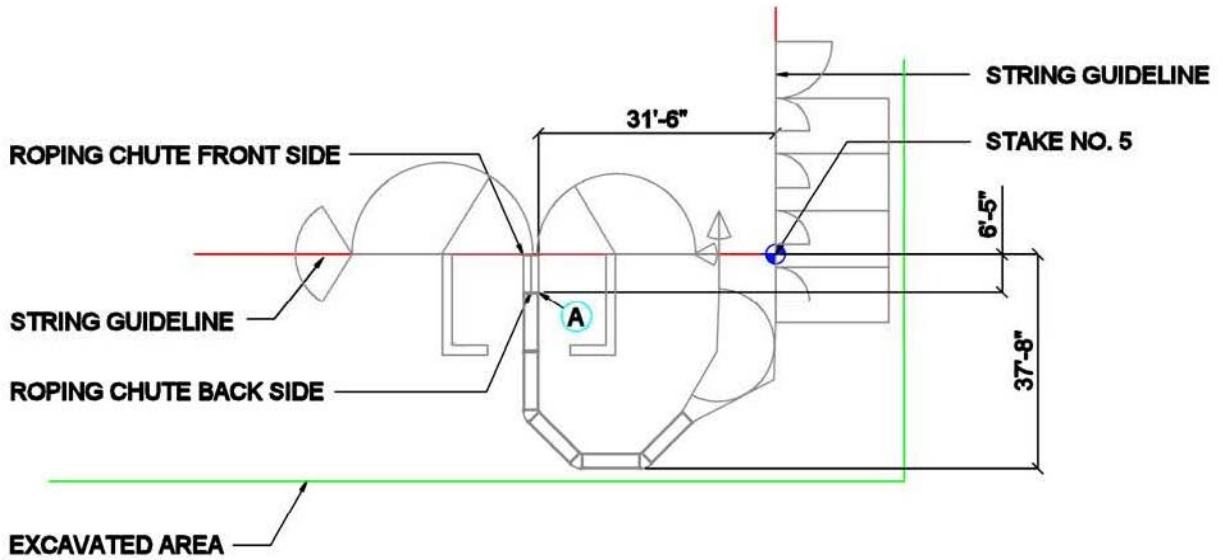
SHEET 1 OF 1

2

1

150' x 250' BUCKING ARENA ROPING CHUTE LOCATION

Position the BACK Corner A of the Roping Chute at the Dimensions shown below:



BACK SIDE

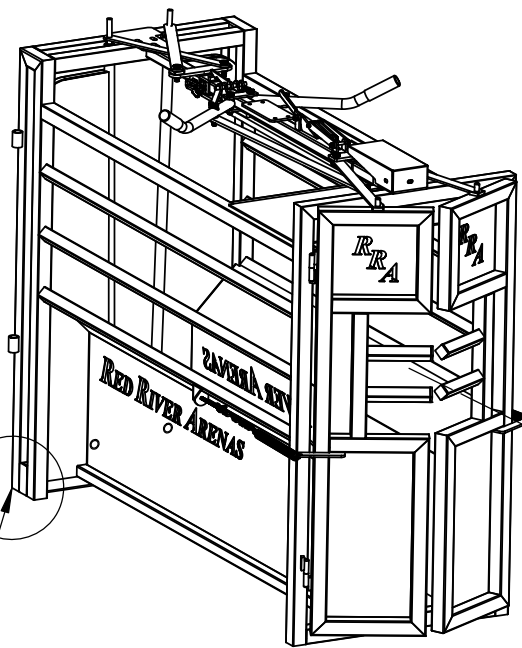
LEFT SIDE
(STANDING AT BACK SIDE)

FRONT SIDE
(FACES THE ARENA)

RIGHT SIDE
(STANDING AT BACK SIDE)

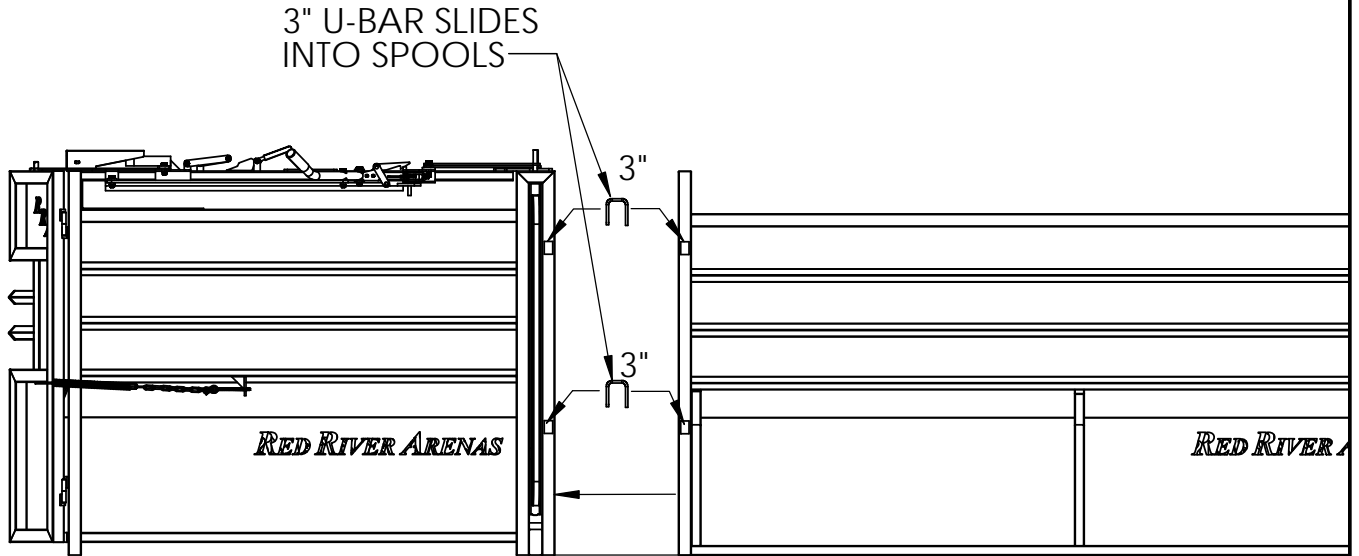
PLACE BOTTOM RIGHT
CORNER AT DIMENSIONS
SHOWN ABOVE

A



EXTENSION TO CHUTE CONNECTION

1.) Slide 3" U-BARS into CHUTE and EXTENSION spools.



ROPING CHUTE LEFT SIDE

CHUTE EXTENSION

**EXTENSION TO CHUTE CONNECTION
w/ 3" U-BARS**

