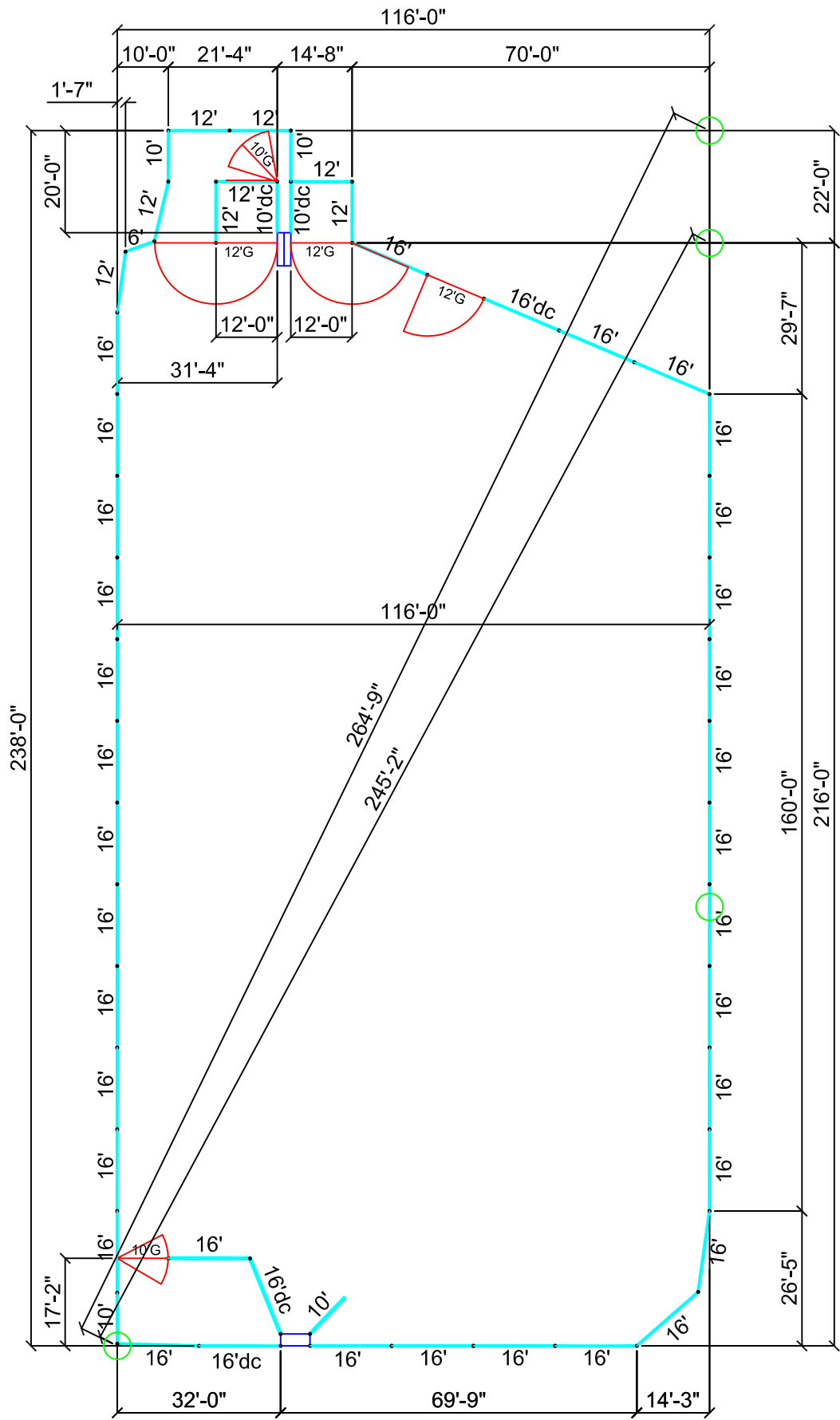


RED RIVER ARENAS.com

“Spend Less, Get More!”

800-343-1026



This drawing is the property of RedRiverArenas.com
 RedRiverArenas does not authorize the reproduction or
 conveyance of any information contained herein
 without prior written permission.

DIMENSION LAYOUT

REDRIVERARENAS.COM

PHONE : 1-325-625-1900

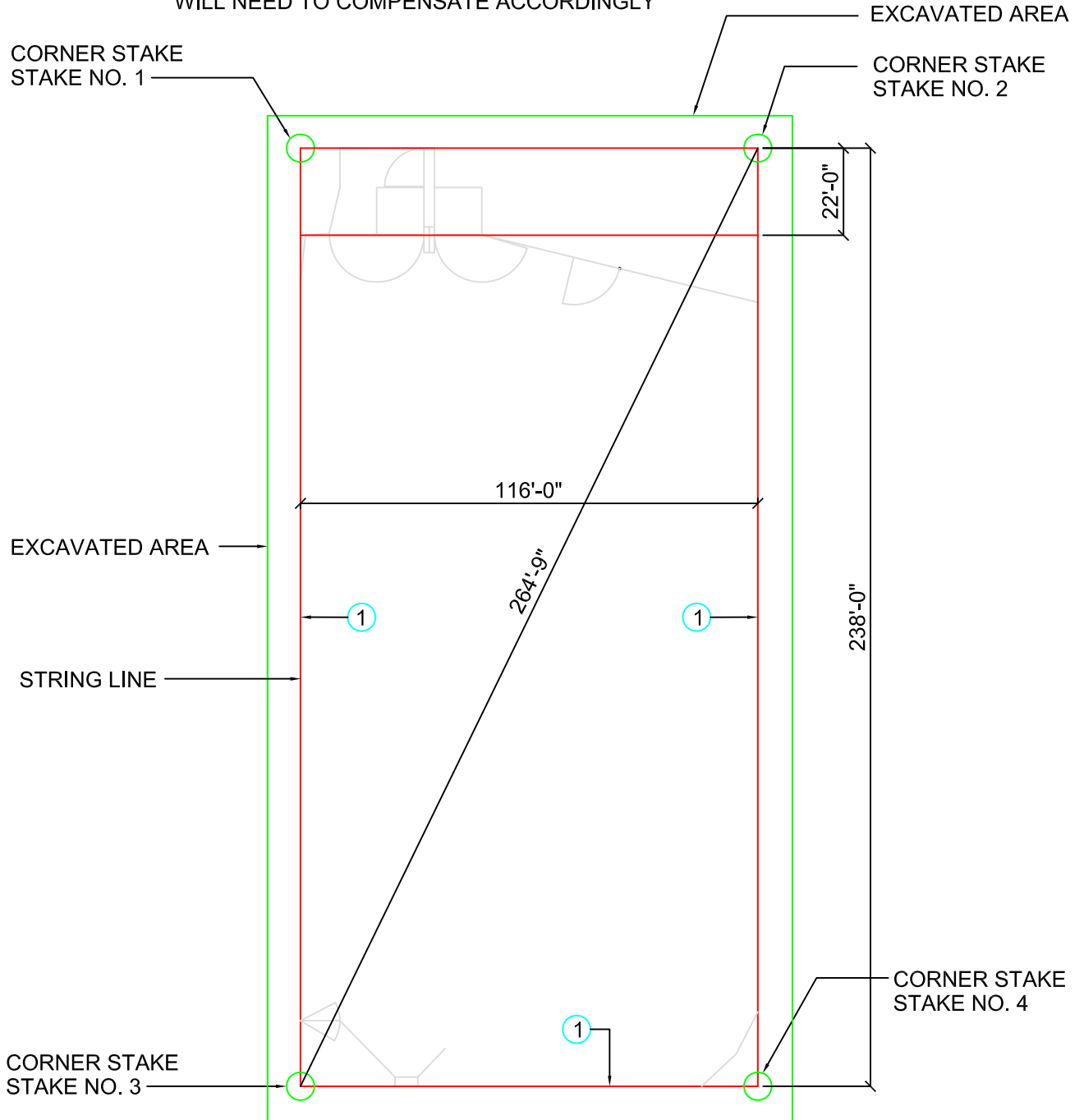
TUBE-S16-00CS

116' x 216' w/o RETURN EXCAVATION AREA

MINIMUM EXCAVATION AREA IS 140'-0" BY 226'-0"

- 1 Start by staking out the Arena Area (116'-0" by 216'-0") to use as a guideline for panels.

NOTE: IF EXCAVATION EXCEEDS THE GIVEN DIMENSIONS OWNER
WILL NEED TO COMPENSATE ACCORDINGLY



This drawing is the property of RedRiverArenas.com
RedRiverArenas does not authorize the reproduction or
conveyance of any information contained herein
without prior written permission.

EXCAVATION

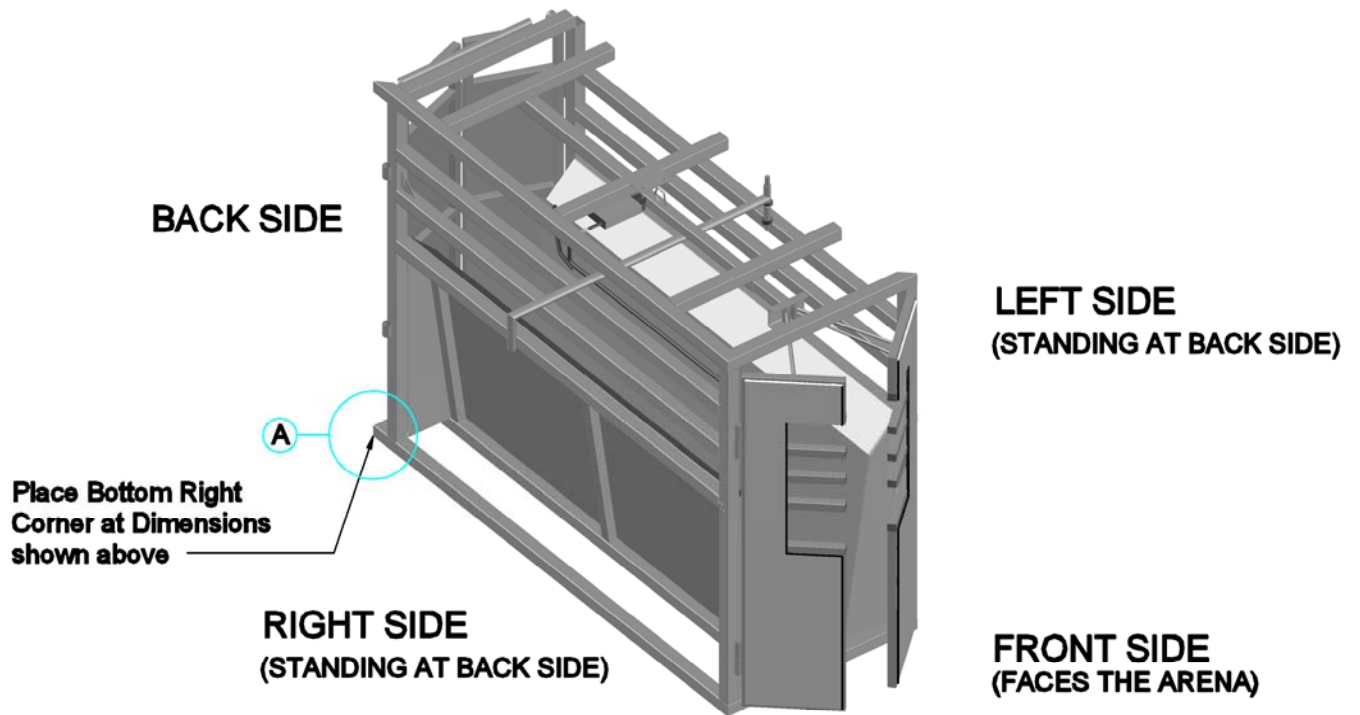
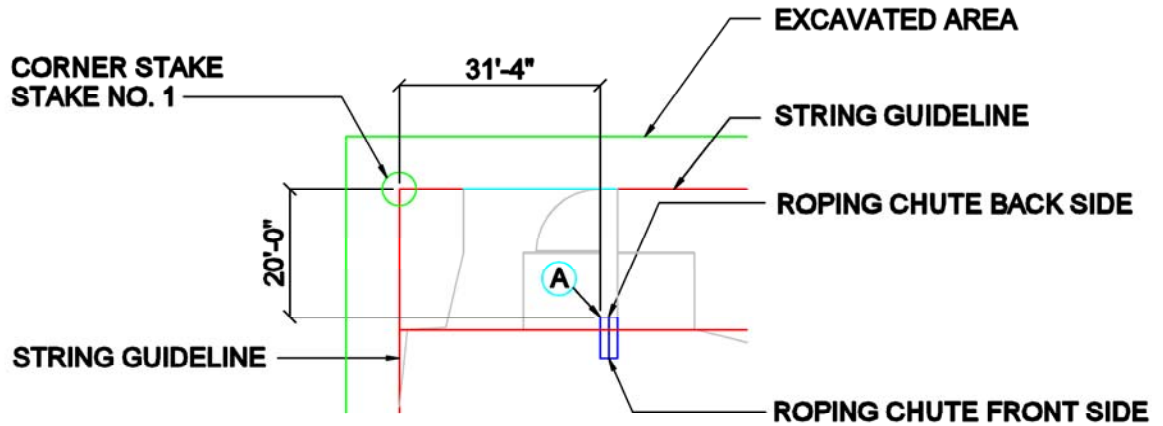
REDRIVERARENAS.COM

PHONE : 1-325-625-1900

TUBE-S16-00CS

116 X 216 w/o RETURN ROPING CHUTE LOCATION

2 Position the BACK Corner **A** of the Roping Chute at the dimension shown below:

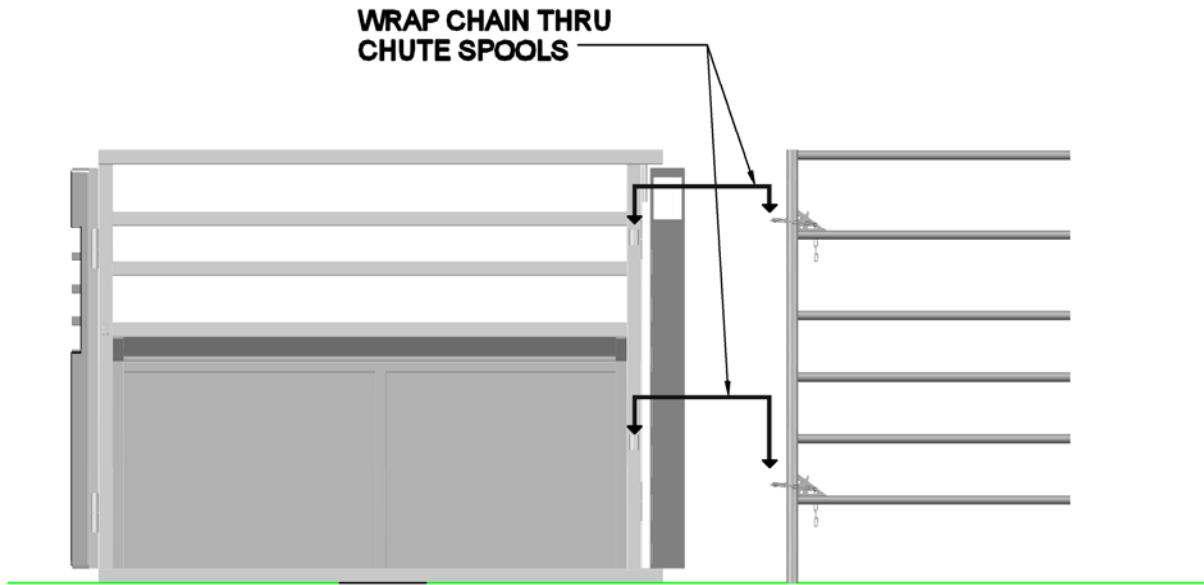


This drawing is the property of RedRiverArenas.com. RedRiverArenas does not authorize the reproduction or conveyance of any information contained herein without prior written permission.

CHUTE LOCATION

REDRIVERARENAS.COM | PHONE : 1-325-625-1900 | TUBE-S16-00CS

PANEL TO CHUTE CONNECTION



ROPING CHUTE LEFT SIDE

PANEL

**STANDING BEHIND THE CHUTE
PANEL TO LEFT SIDE CHUTE CONNECTION**

This drawing is the property of RedRiverArenas.com
RedRiverArenas does not authorize the reproduction or
conveyance of any information contained herein
without prior written permission.

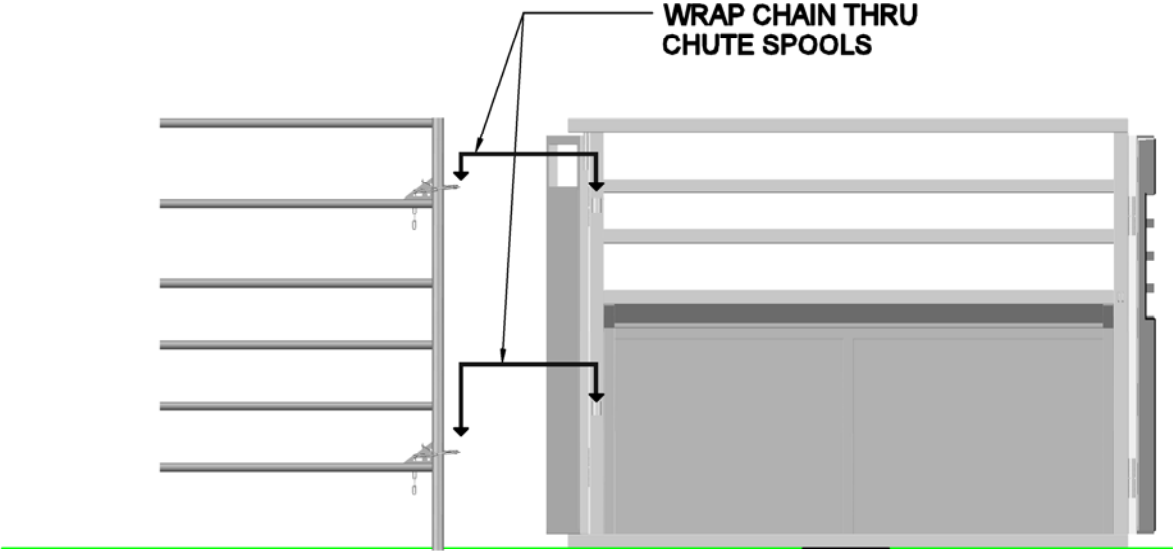
PANEL TO CHUTE LEFT

REDRIVERARENAS.COM

PHONE : 1-325-625-1900

TUBE-S16-00CS

PANEL TO CHUTE CONNECTION



PANEL

ROPING CHUTE RIGHT SIDE

**STANDING BEHIND THE CHUTE
PANEL TO RIGHT SIDE CHUTE CONNECTION**

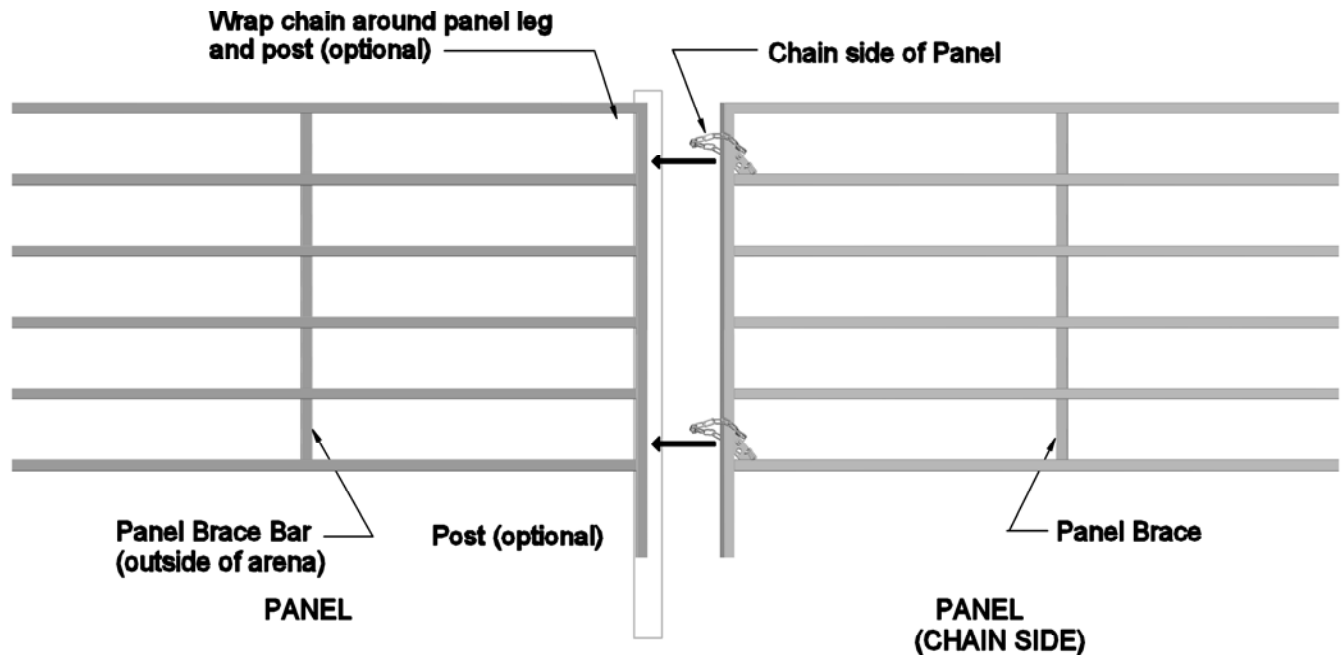
This drawing is the property of RedRiverArenas.com. RedRiverArenas does not authorize the reproduction or conveyance of any information contained herein without prior written permission.

PANEL TO PANEL CONNECTION

(CHAIN CONNECTION)

PANEL CHAIN CONNECTION

1. USING THE MARK(S) YOU MAKE WITH THE STRING. ALIGN AND CONNECT ONE PANEL AT A TIME.
2. WRAP CHAIN AROUND PANEL LEG AND ATTACH TO CHAIN KEEPER.
3. PANL SHOULD NOW BE CONNECTED. YOU CAN ADJUST ONE PANEL 90° FOR BALANCE.



PANEL TO PANEL CONNECTION WITH CHAINS

This drawing is the property of RedRiverArenas.com
RedRiverArenas does not authorize the reproduction or
conveyance of any information contained herein
without prior written permission.

PANEL TO PANEL

REDRIVERARENAS.COM

PHONE : 1-325-625-1900

TUBE-S16-00CS