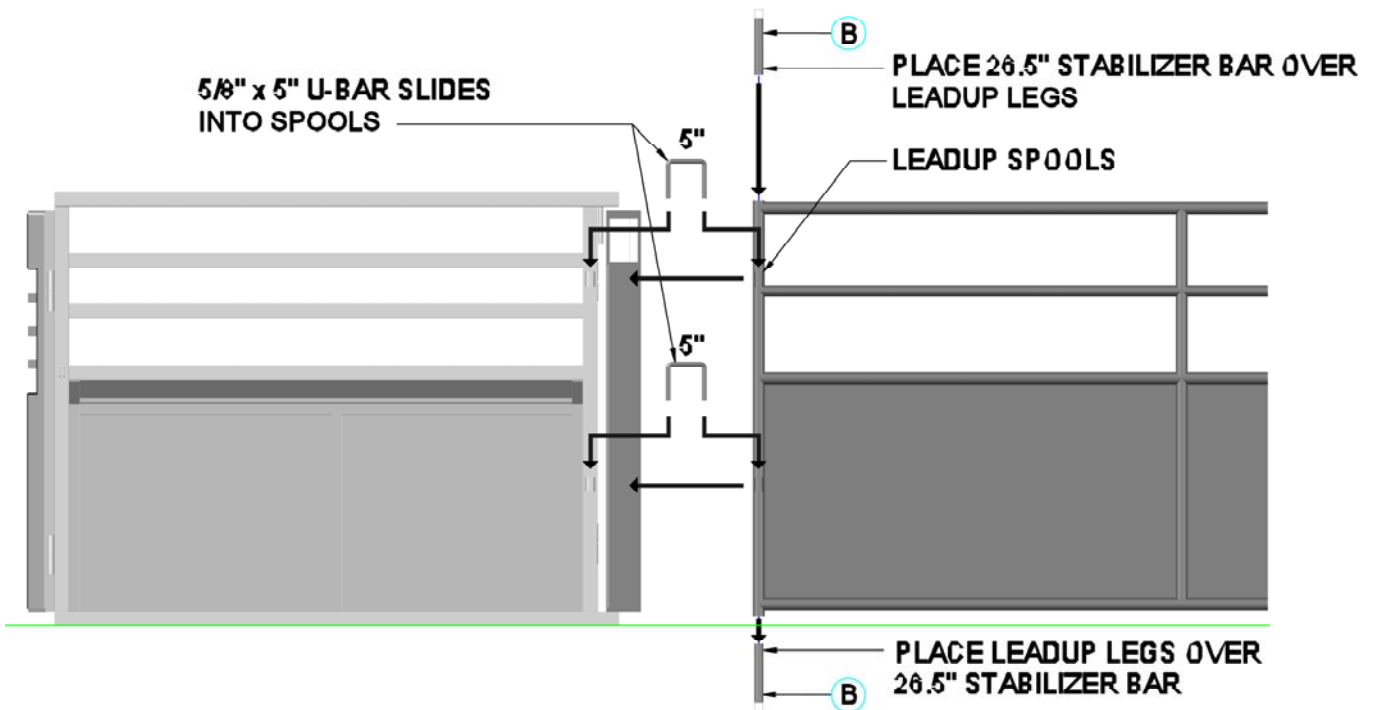


LEADUP TO CHUTE CONNECTION

- 1.) Place 26.5" STABILIZER BAR (B) on ground and place LEADUP Leg over the STABILIZER BAR for support.
- 2.) Slide 5/8" x 5" U-BARS into CHUTE and LEADUP spools.
- 3.) Place 26.5" STABILIZER BAR (B) over top LEADUP Leg for support.

NOTE: ROPING CHUTE LEFT SIDE AND LEADUP PANEL SHOULD LINE UP WITH ONE ANOTHER.



ROPING CHUTE LEFT SIDE

LEADUP PANEL

STANDING BEHIND THE CHUTE
LEADUP TO LEFT SIDE CHUTE CONNECTION w/ 5" U-BARS