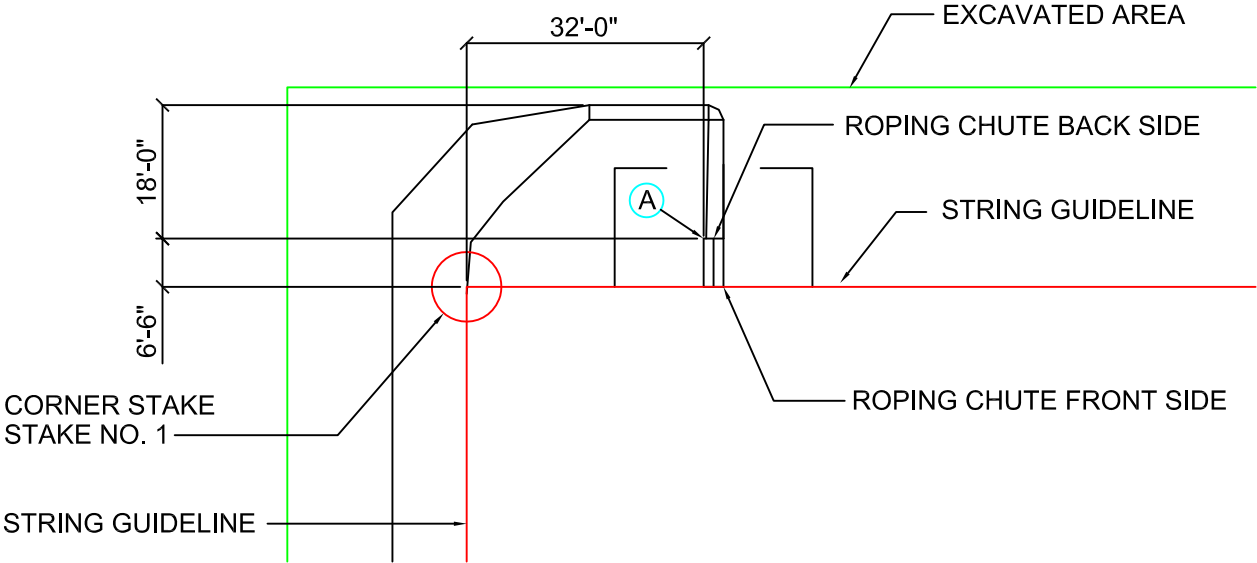


150 X 240 w/ RETURN ROPING CHUTE LOCATION

Position the BACK Corner (A) of the Roping Chute at the dimension shown below:



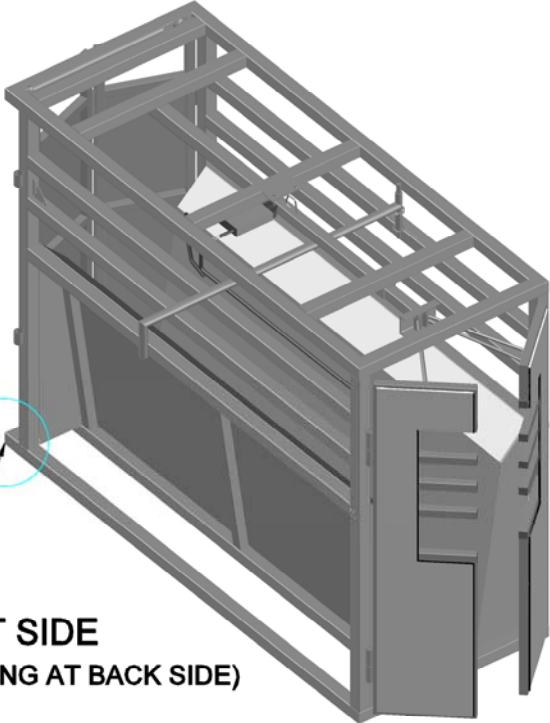
BACK SIDE

**LEFT SIDE
(STANDING AT BACK SIDE)**

**PLACE BOTTOM RIGHT
CORNER AT DIMENSIONS
SHOWN ABOVE**

**RIGHT SIDE
(STANDING AT BACK SIDE)**

**FRONT SIDE
(FACES THE ARENA)**



This drawing is the property of RedRiverArenas.com. RedRiverArenas does not authorize the reproduction or conveyance of any information contained herein without prior written permission.

CHUTE LOCATION